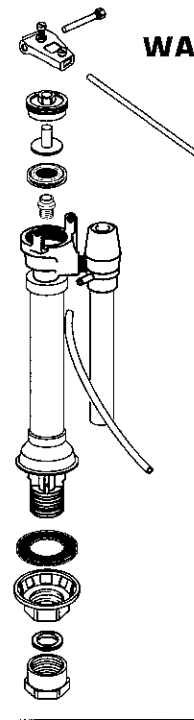
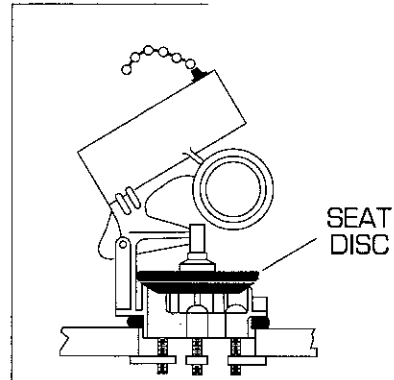


2016.019



WATER CONTROL

FLUSH VALVE



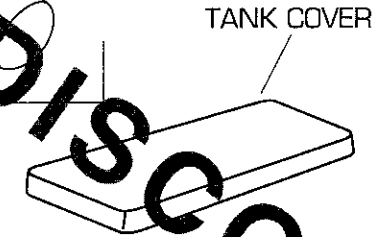
Click on "red" box to add parts to shopping cart

DISCONTINUED

Toilet Seat not available

ACTUATOR BUTTON

BOLT CAP COVER PLATE KIT



TANK COVER



SEAT POST MOUNTING KIT

SEAT AND COVER

★ Replace XXX with Fixture Color Code, YYY with Trim Finish

DESCRIPTION	COMPONENT	PKG QTY
★ Tank Cover	735005-400.XXX	1
★ Seat and Cover	5355.017.XXX	1
DESCRIPTION	PART NUMBER	PKG QTY
★ Bolt Cap Cover Plate Kit	034788-XXX0A	2
Water Control Assy	047171-0070A	1
Flush Valve	047107-0070A	1
★ Actuator Button (see note)	047108-YYY0A	1
★ Seat Post Mounting Kit	034789-XXX0A	1
Bead Chain w/Grommet	047560-0070A	1
Seat Disc	033643-0070A	1

▷ FOR COMPONENT PART ORDERING SEE CURRENT PRODUCT SELECTOR AND PRICING GUIDE.

NOTE: When replacing Actuator Button, order Bead Chain w/Grommet to insure compatibility with Flush Valve.