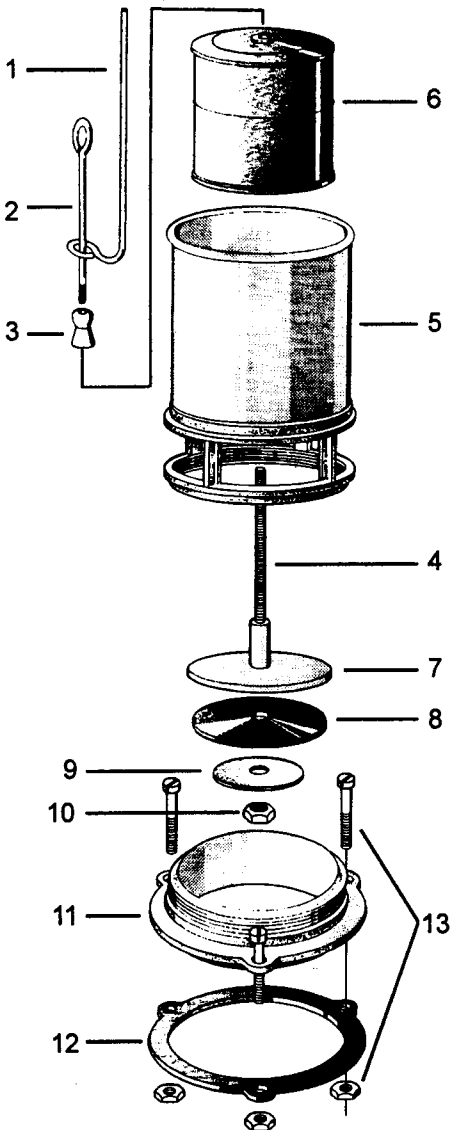


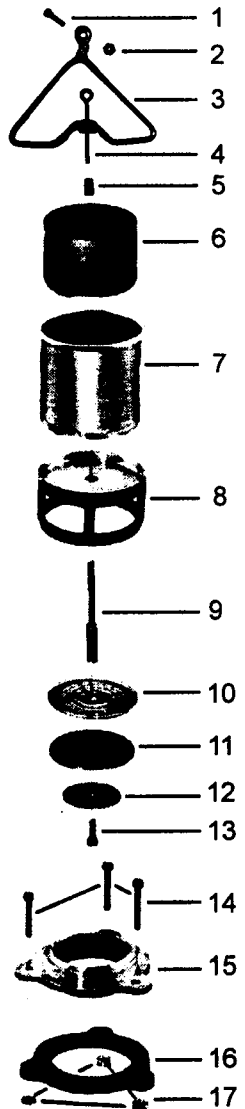
# CURTIN VALVE #50

# #3 FLUSH VALVE



Plumbing Parts Depot

610-495-8790



Replacement for #3 Flush Valve.  
Parts are NOT interchangeable.

The #3 Flush Valve is not available complete. It was replaced by the Curtin #50. Certain parts are still available for the #3, but are NOT interchangeable with the Curtin #50.

NO.	DESCRIPTION	PART NO.
1	Upper Lift Rod	1-50
2	Lower Lift Rod	2-50
3	Coupling Nut	3-50
4	Float Rod	4-50
5	Cylinder & Cage Assembly	16-50
6	Float	6-50
7	Plunger	7-50
8	Seat Washer	10-50
9	Check Washer	11-50
10	Plunger Nut	12-50
11	Flanged Base	13-50
12	Rubber Gasket	14-50
13	Brass Bolt & Nut (3)	15-50

NO.	DESCRIPTION	PART NO.
1	Lift Wire Screw	41-27
2	Lift Wire Nut	1149-27
3	Lift Wire	66-24
4	Lift Rod	75-25
5	Lift Rod Connection	33183-07
6	Float	81-37
7	Housing	NLA
8	Housing Support	NLA
9	Tie Rod	NLA
10	Seat Washer Disc	72-17
11	Seat Washer	15-37
12	Seat Washer Holder	32490-07
13	Seat Washer Screw	1181-17
14	Seat Bolt	30-17
15	Seat	NLA
16	Washer	49-27
17	Seat Bolt Nut	78-37



3518-0160 Tank Lever 9 3/4" Long

1. AS 3137-1550 = ballcock
2. AS 47086-0700 = flush valve (see note A)
3. AS 73439-0200 = tank lever (see note B)

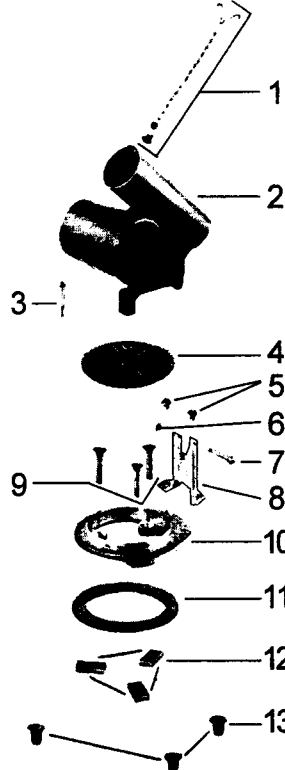
note A. Curtin 50 = canister style flush valve - (replacement for original #3)

note B. AS 3518-0160 = tank lever (for use with CVA 50)

## FLUSH VALVE

47086-0700

610-495-8790

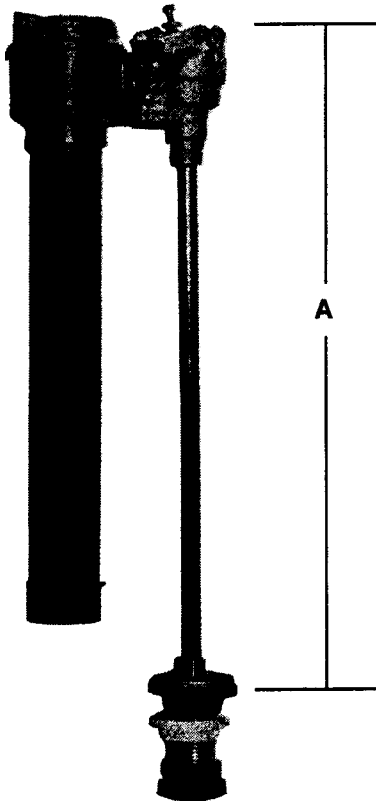


Can be used to replace Curtin Valve #50 on models 2000 & 2005 only. Curtin Valve must be used on model 2149

## AMERICAN STANDARD GENUINE OBSOLETE BALLCOCKS

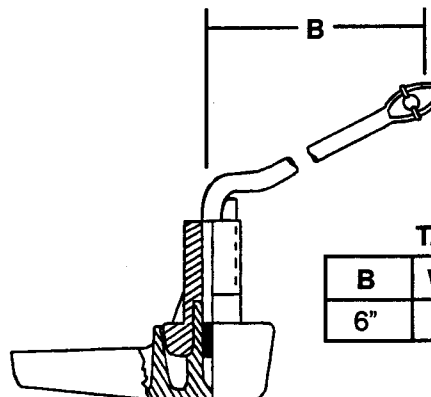
PART NUMBER	A (SIZE)
3131-075	Approx. 11 Inches
3137-098	Approx. 11 1/2 Inches
3137-155	Approx. 9 1/4 inches
3136-058	Approx. 13 3/4 Inches

Above water controls include float rod and refill tube, 3/8" coupling nut inlet.



NO.	DESCRIPTION	PART NO.
1	Lift Chain S/A	8321-07
2	Actuating Unit*	721-27
3	Screw for Disc	73382-07
4	Seat Disc	73383-07
5	Support Leg Screw	737-27
6	Nut	732-37
7	Screw	733-37
8	Support Leg	722-27
9	F.H. Screw	729-27
10	Seat	33199-07
11	Seal	715-27
12	Fastening Lug	727-27
13	Bolt Hole Seal	726-27
Sub-assembly		
*Float S/A - (Parts 1 thru 8) - #8162-07		

ORIGINAL EQUIPMENT TANK LEVER  
METAL HANDLE, CHROME PLATED, WITH BRASS ARM



## TANK LEVER

B	WITH BRASS ARM
6"	73439-02

## REPAIR PARTS FOR ABOVE NUMBERS

12971-09	Kit: Includes Cap And Plunger, Seal, Nylon Seat
70422-07	Cap And Plunger Assembly
73070-07	Seal
73002-07	Nylon Seat
73019-09	Pivot Arm
73018-07	Pivot Pin
1601-07	Float Ball