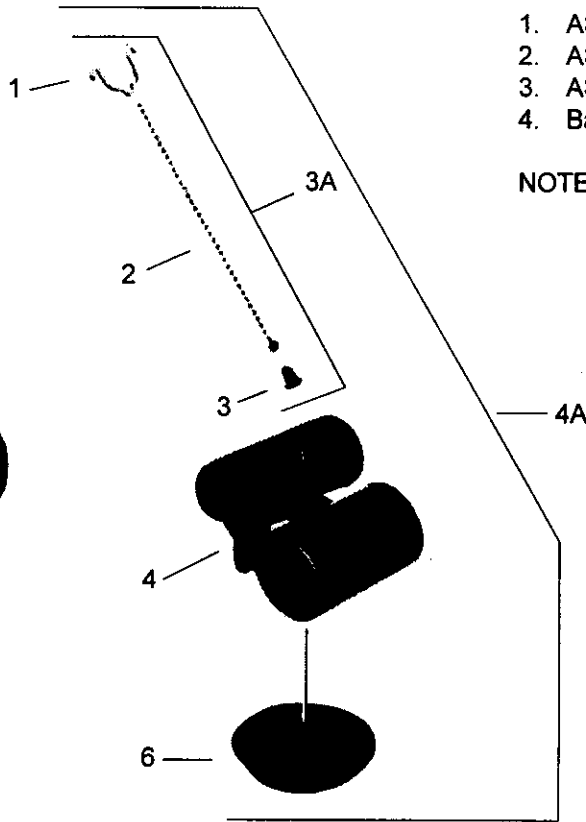
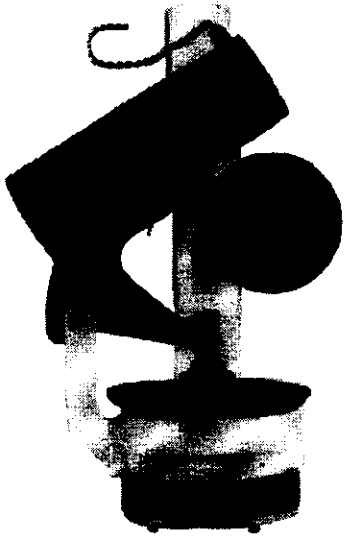


MODEL 2002 (OLD STYLE LESS VENT-AWAY)

47049-0700



1. AS N3045L - Ballcock Less Vent-Away
2. AS 47049-0700 - Flush Valve
3. AS 33611-0020A - Actuator Button
4. Backflow preventer is no longer available. (See Note)

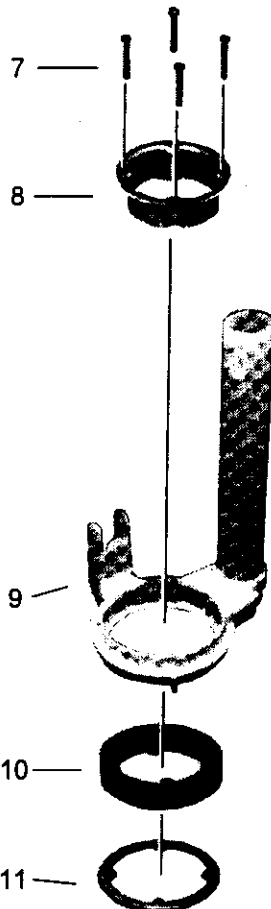
NOTE: May be able to use 738050-0070A backflow preventer but you must shim the tank lid in some applications.

Luxor
(Non-ventilated)
2002-2003

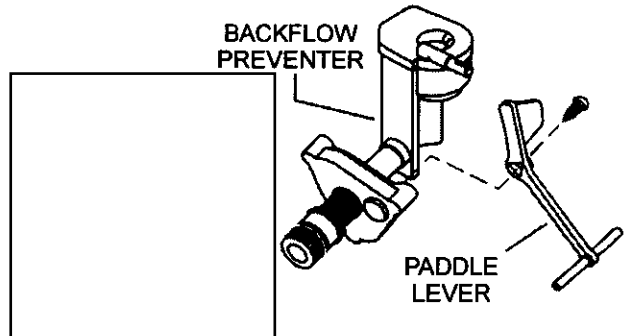
33611-0020A



NO.	DESCRIPTION	PART NO.
1	Chain Retainer	73389-07
2	Chain	73388-07
3	Grommet	73387-07
3A	Lift Chain S/A	8321-07
4	Actuating Unit	4A
4A	Actuating Unit S/A	73380-07
6	Seat Disc	33643-07
7	Screws	33333-07
8	Retainer	33466-07
9	Body S/A	47049-07
10	Seal	33410-07
11	Compression Plate	33412-07



BACKFLOW PREVENTER ASSEMBLY

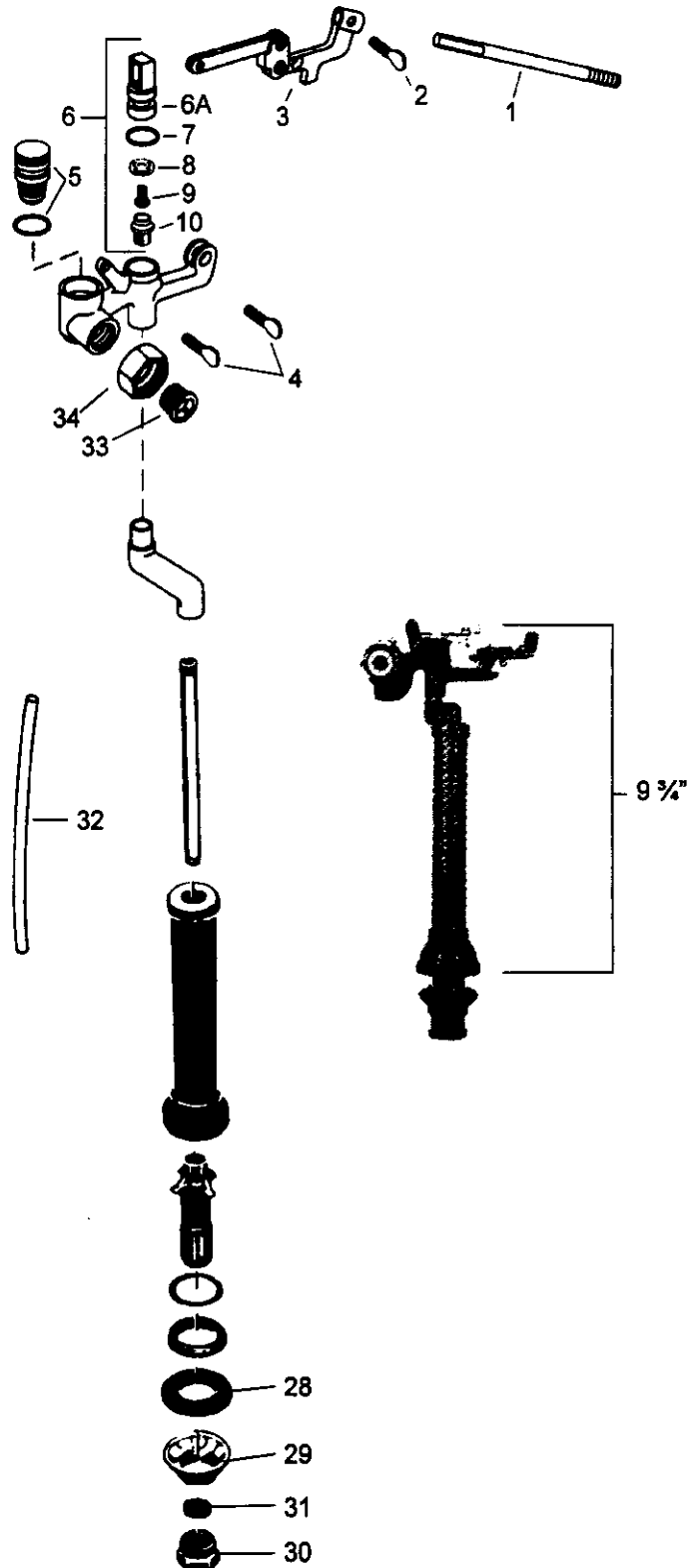


NON-VENT 738050-0070A
PADDLE LEVER ONLY 33409-0070A

Plumbing Parts Depot
800-448-8977
www.ppd.biz

Luxor 2002 N3045L

NO.	DESCRIPTION	PART NO.
1	Float Rod	82-27
2	Float Rod Thumb Screw	558-07
3	Lever S/A	10740-07
4	Thumb Screws (2)	557-17
5	Volume Regulator S/A	10765-0070A
6	Plunger S/A (Parts 6A, 7, 8, 9, 10)	12981-0070A
6A	Plunger "KIT ONLY"	
7	Plunger Washer	1853-07
8	Stem Washer	233-17
9	Screw	33268-07
10	Seat	1663-07
28	Base Gasket	73477-07
29	Shank Locknut	73478-07
30	Coupling Nut	226-47
31	Coupling Washer	125-07
32	Refill Tube	70451-07
33	Swivel	33132-07
34	Nut	24970-02

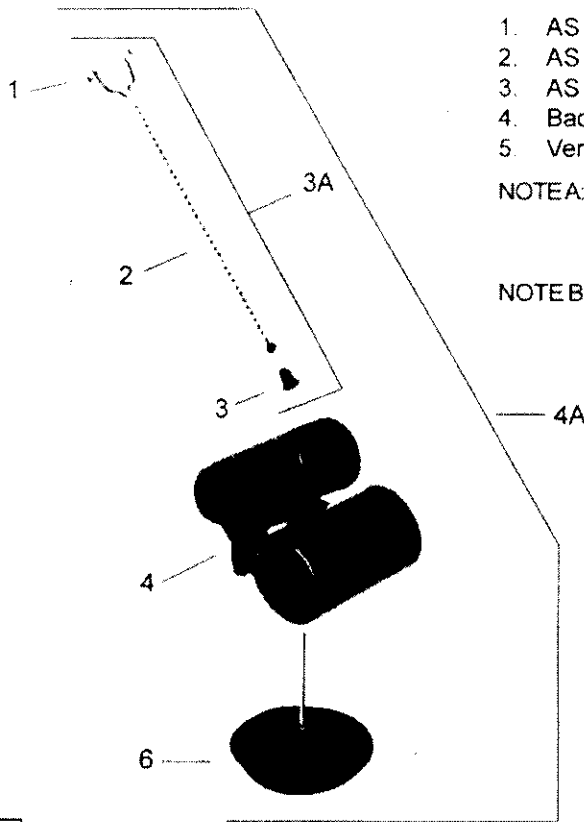
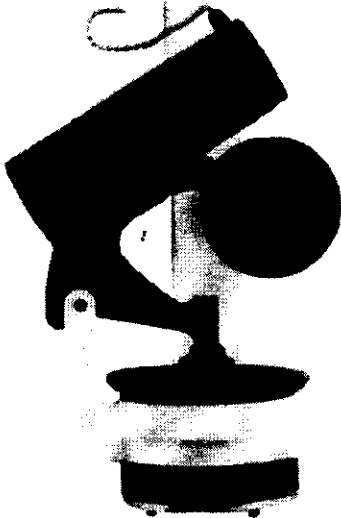


KITS AVAILABLE

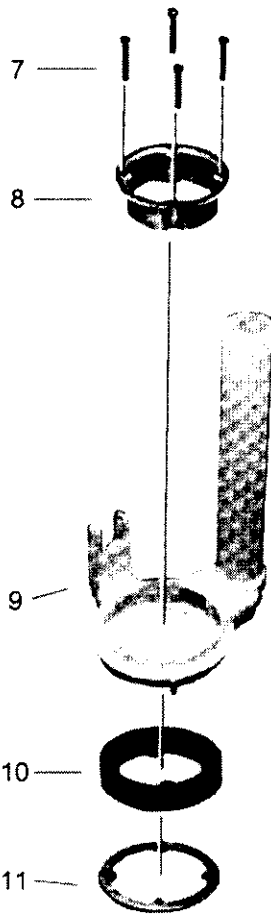
PART NO.	NO.'S INCLUDED	DESCRIPTION
10551-0070A	2, 3, 4	Lever Assmebly w/screws
12981-0070A	6, 6A, 7, 8, 9, 10	Plunger Repair Kit
47398-0070A	28, 29	Mounting Kit

MODEL 2002 (OLD STYLE WITH VENT-AWAY)

47049-0700



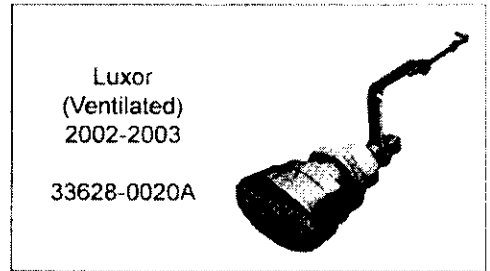
NO.	DESCRIPTION	PART NO.
1	Chain Retainer	73389-07
2	Chain	73388-07
3	Grommet	73387-07
3A	Lift Chain S/A	8321-07
4	Actuating Unit	4A
4A	Actuating Unit S/A	73380-07
6	Seal Disc	33643-07
7	Screws	33333-07
8	Retainer	33486-07
9	Body S/A	47049-07
10	Seal	33410-07
11	Compression Plate	33412-07



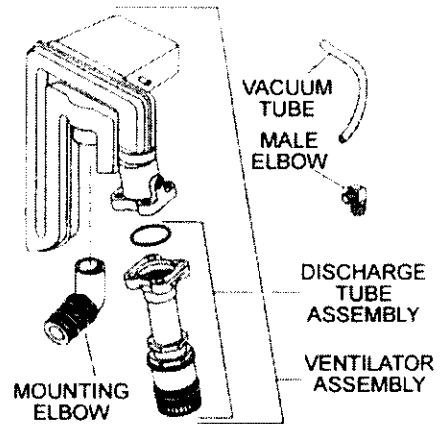
1. AS N3045LV - Ballcock With Vent-Away
2. AS 47049-0700 - Flush Valve
3. AS 33628-0020A - Actuator Button
4. Backflow preventer is no longer available (See Note A)
5. Vent-Away is no longer available (See Note B)

NOTE A: You may be able to use 738051-0070A backflow preventer but you must shim the tank lid in some applications.

NOTE B: You may be able to use 738049-0070A vent-away but you must shim the tank lid in some applications.



VENT-AWAY TRIM ASSEMBLY



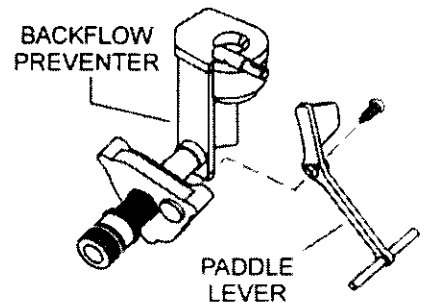
Ventilator Assembly (includes Discharge Tube Assembly & Mounting Elbow) 738049-0070A

Male Elbow 33252-0070A

Discharge Tube Assembly 47054-0070A

Vacuum Tube 33457-0070A

BACKFLOW PREVENTER ASSEMBLY

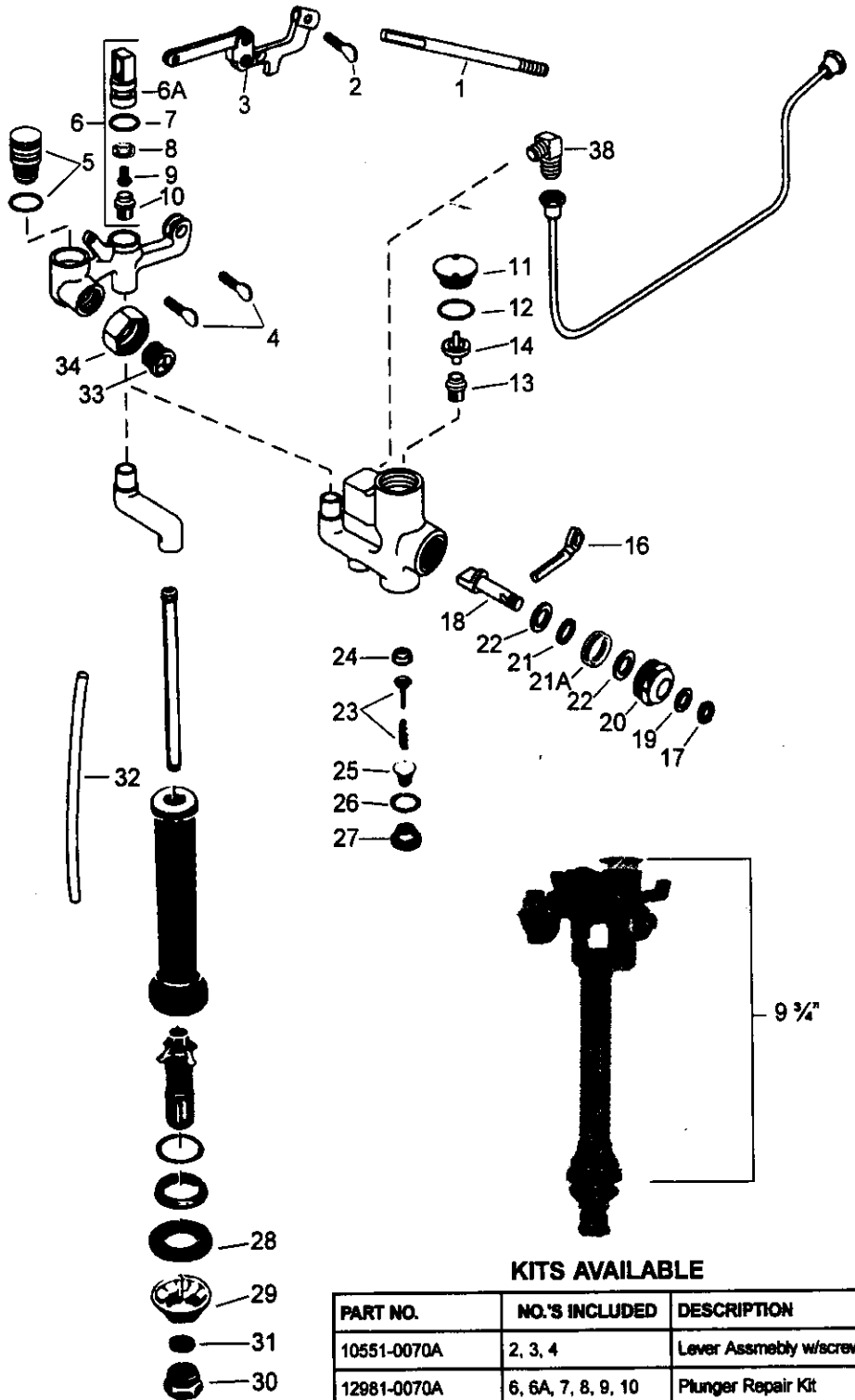


NON-VENT 738050-0070A
PADDLE LEVER ONLY 33409-0070A

Plumbing Parts Depot
800-448-8977
www.ppd.biz

Luxor 2002V N3045LV

NO.	DESCRIPTION	PART NO.
1	Float Rod	82-27
2	Float Rod Thumb Screw	558-07
3	Lever S/A	10740-07
4	Thumb Screws (2)	557-17
5	Volume Regulator S/A	10765-0070A
6	Plunger S/A (Parts 6A, 7, 8, 9, 10)	12981-0070A
6A	Plunger **KIT ONLY**	
7	Plunger Washer	1853-07
8	Stem Washer	233-17
9	Screw	33268-07
10	Seat	1663-07
11	Cap **KIT ONLY**	
12	Washer	866-27
13	Seat	33542-08
14	Float	25670-07
16	Arm	33476-07
17	Locknut	79-17
18	Stem	33454-07
19	Washer	113-17
20	Packing Nut	33450-07
21	Washer	64705-07
21A	Packing Seal	64706-07
22	Packing Washer (2)	64704-07
23	Valve Stem S/A	12004-07
24	Valve Seat	12002-09
25	Screen	12269-07
26	Gasket	12007-07
27	Plug	12268-07
28	Base Gasket	73477-07
29	Shank Locknut	73478-07
30	Coupling Nut	226-47
31	Coupling Washer	125-07
32	Refill Tube	70451-07
33	Swivel	33132-07
34	Nut	24970-02
38	Male Elbow	33252-07



KITS AVAILABLE

PART NO.	NO.'S INCLUDED	DESCRIPTION
10551-0070A	2, 3, 4	Lever Assembly w/screws
12981-0070A	6, 6A, 7, 8, 9, 10	Plunger Repair Kit
47398-0070A	28, 29	Mounting Kit
70620-0700	11, 12, 13, 14	Vacuum Breaker Kit
67652-0070A	16, 17, 18, 19, 20, 21, 21A, 22	Diverter Stem Kit
67653-0070A	23, 24, 25, 26, 27	Diverter Valve Kit