

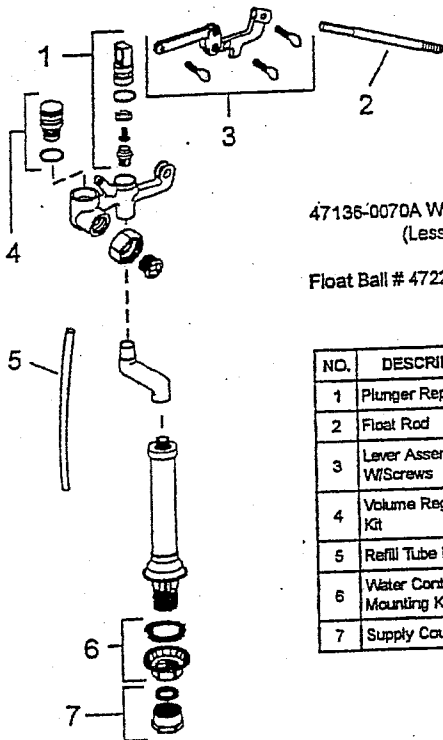
MODEL 2004 (CONCORD)

Plumbing Parts Depot
610-495-8790
www.ppd1.biz

1. AS 47136-0070A - Water Control Assembly
2. AS 738051-0070A - Backflow Preventer
3. AS 47049-0700 - Flush Valve
4. AS 33650-0300 - Actuator Button
5. AS 33409-0070A - Paddle Lever Only

Click on
"Red" box to
add parts to
shopping cart

47136-0070A



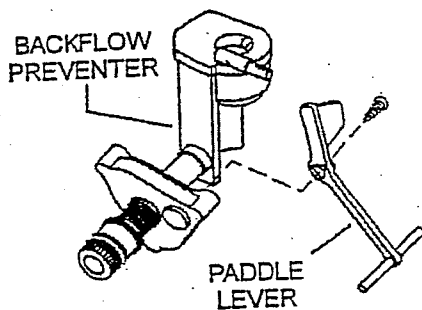
47136-0070A Water Control Assembly
(Less Float Ball)

Float Ball # 47229-0070A Not Included

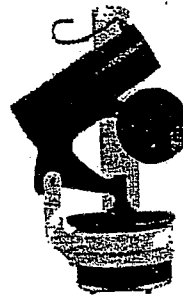
NO.	DESCRIPTION	PART NO.
1	Plunger Repair Kit	12981-0070A
2	Float Rod	73014-0070A
3	Lever Assembly W/Screws	10551-0070A
4	Volume Regulator Kit	10765-0070A
5	Refill Tube Non-Vent	70450-0070A
6	Water Control Mounting Kit	47398-0070A
7	Supply Coupling Kit	47050-0070A

738051-0070A

BACKFLOW PREVENTER ASSEMBLY



47049-0700



NO.	DESCRIPTION	PART NO.
1	Chain Retainer	73389-07
2	Chain	73388-07
3	Grommet	73387-07
3A	Lift Chain S/A	8321-07
4	Actuating Unit	4A
4A	Actuating Unit S/A	73380-07
6	Seat Disc	33643-07
7	Screws	33333-07
8	Retainer	33466-07
9	Body S/A	47049-07
10	Seal	33410-07
11	Compression Plate	33412-07

33650-0300

