

Plumbing Parts Depot

www.ppd1.biz

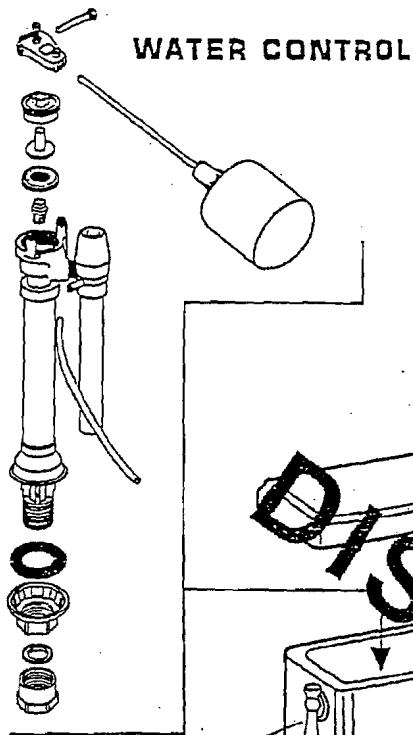
610-495-8790

HERITAGE TOILET

MODEL NUMBER

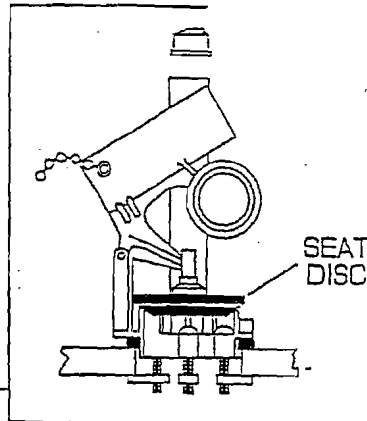
2031.016

American Standard



WATER CONTROL

FLUSH VALVE



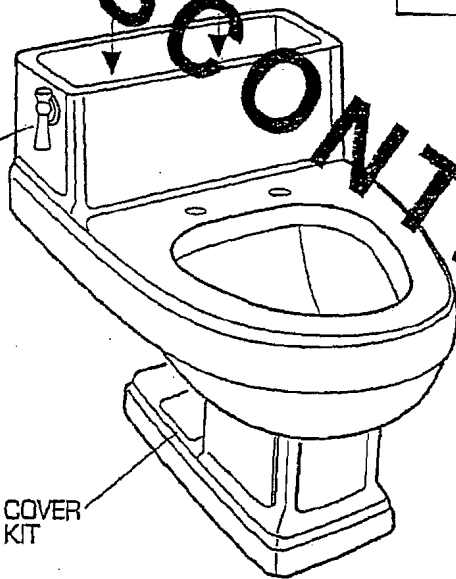
Click on "Red" box to add parts to shopping cart

TANK COVER

**DISCONTINUED**

TRIP LEVER

BOLT CAP COVER PLATE KIT



SEAT POST MOUNTING KIT

SEAT AND COVER INCLUDES MOUNTING KIT

DESCRIPTION	▷ COMPONENT	PKG QTY
★ Tank Cover	735013-400.XXX	1
★ Seat and Cover	5357.016.XXX	1
DESCRIPTION	PART NUMBER	PKG QTY
★ Bolt Cap Cover Plate Kit	047227-XXX0A	2
Water Control Assy (with Float Ball)	047174-0070A	1
Flush Valve	047230-0070A	1
★ Trip Lever	047231-YYY0A	1
★ Seat Post Mounting Kit	047234-XXX0A	1
Seat Disc	033643-0070A	1

▷ FOR COMPONENT PART ORDERING SEE CURRENT PRODUCT SELECTOR AND PRICING GUIDE.

★ Replace XXX with Fixture Color Code, YYY with Trim Finish