

**FONTAINE
1.6/PA TOILET**

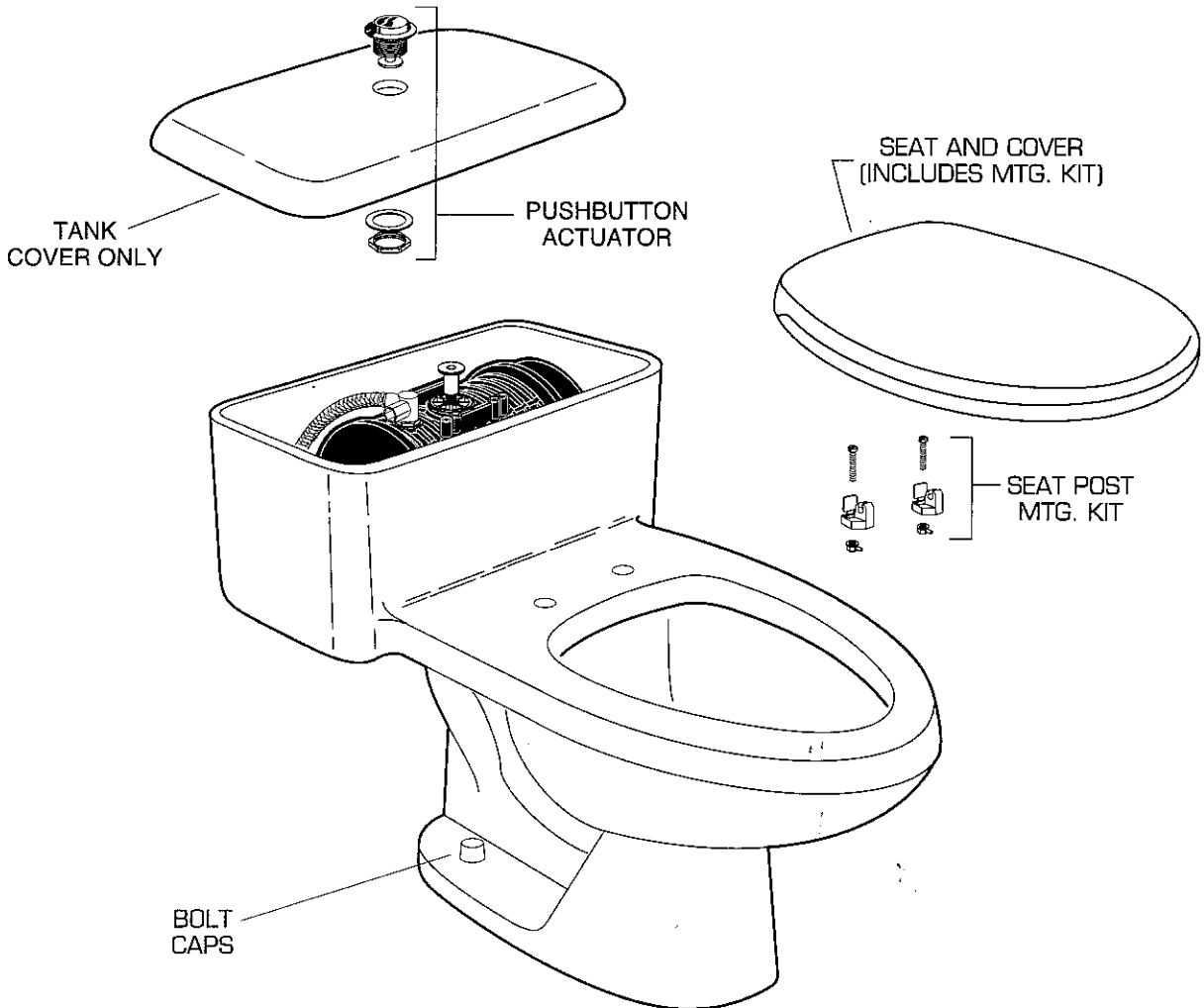
MODEL NUMBERS

2042.017 Elongated
2042.417 Elongated
With Seat

American Standard

Plumbing Parts Depot

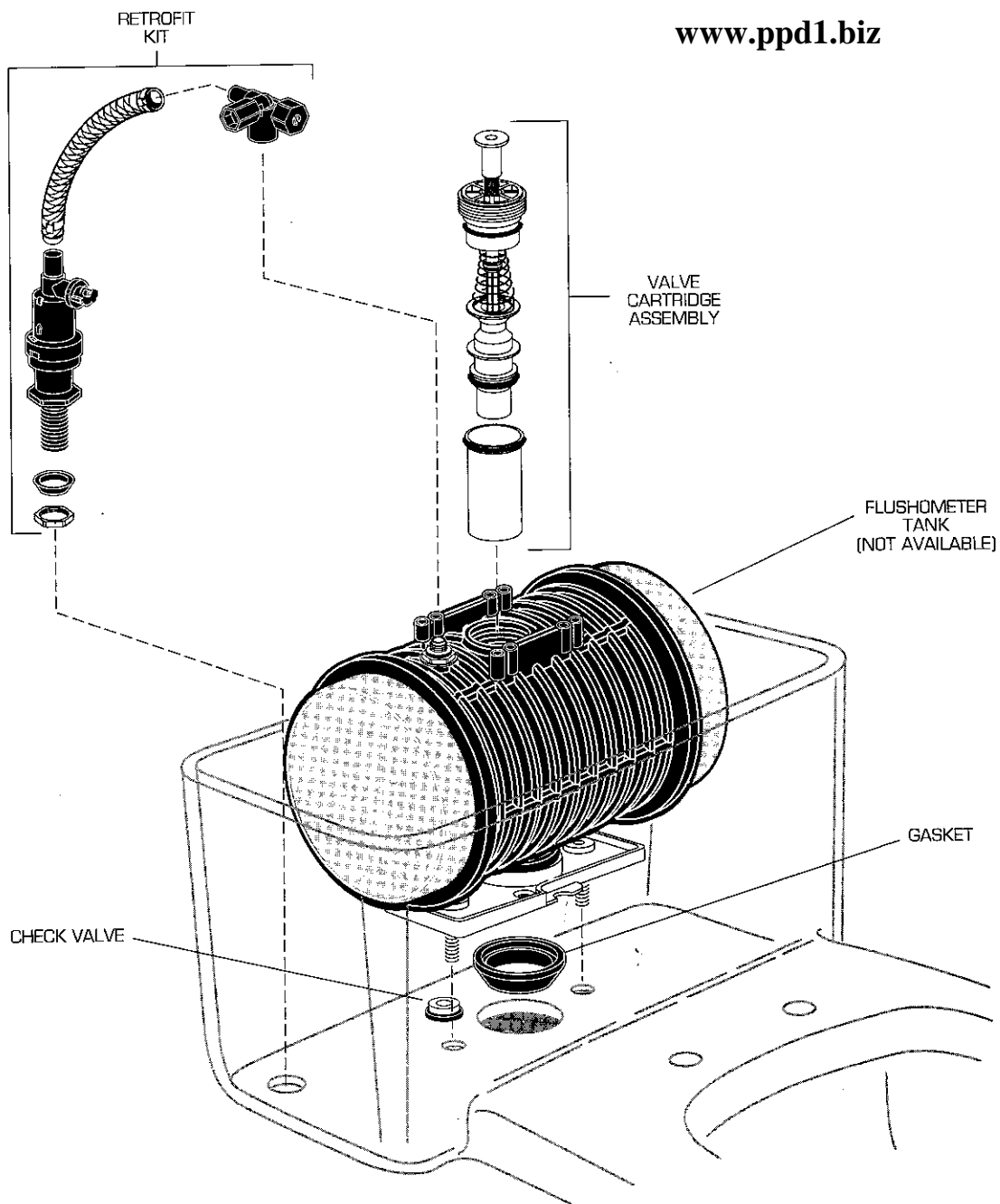
www.ppd1.biz



DESCRIPTION	▷ COMPONENT	PKG QTY
★ Tank Cover only (With Hole, No Mounted Actuator)	735015.400-XXX	1
★ Seat and Cover	5324.019-XXX	1
★ Seat Post Mtg. Kit	760030-100-XXX	1
DESCRIPTION	PART NUMBER	PKG QTY
★ Pushbutton Actuator	047565-YYYOA	1
★ Bolt Cap Kit	034783-XXXOA	2

▷ FOR COMPONENT PART ORDERING SEE CURRENT PRODUCT SELECTOR AND PRICING GUIDE

★ Replace XXX with Fixture Color Code, YYY with Trim Finish



REPAIR PARTS	DESCRIPTION	PART NUMBER	PKG QTY
Flushometer Tank	Retrofit Kit	738452-0070A	1
	Valve Cartridge Assembly	047563-0070A	1
	Gasket	730257-0070A	1
	Check Valve	738225-0070A	1