

# HERITAGE 1.6/PA TOILET

**MODEL NUMBER**

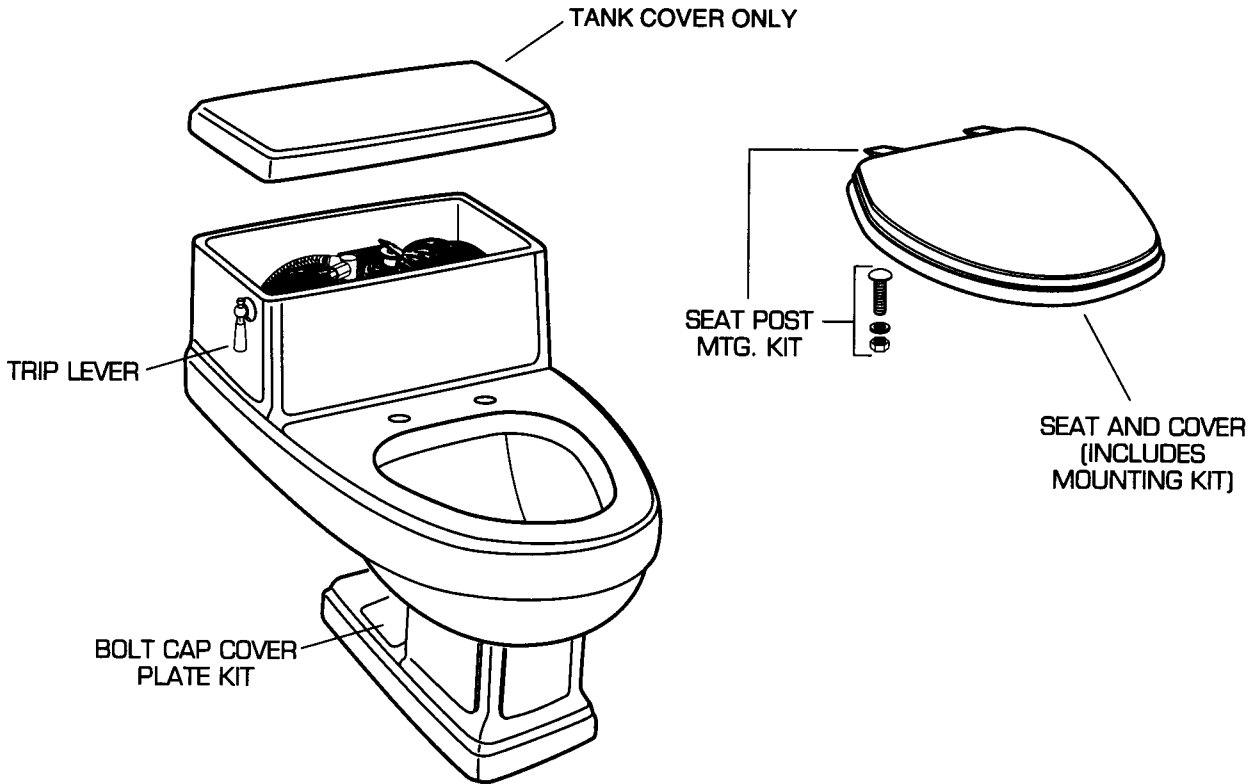
**2061.016**

*American Standard*

**Plumbing Parts Depot**

**610-495-8790**

**www.ppd1.biz**



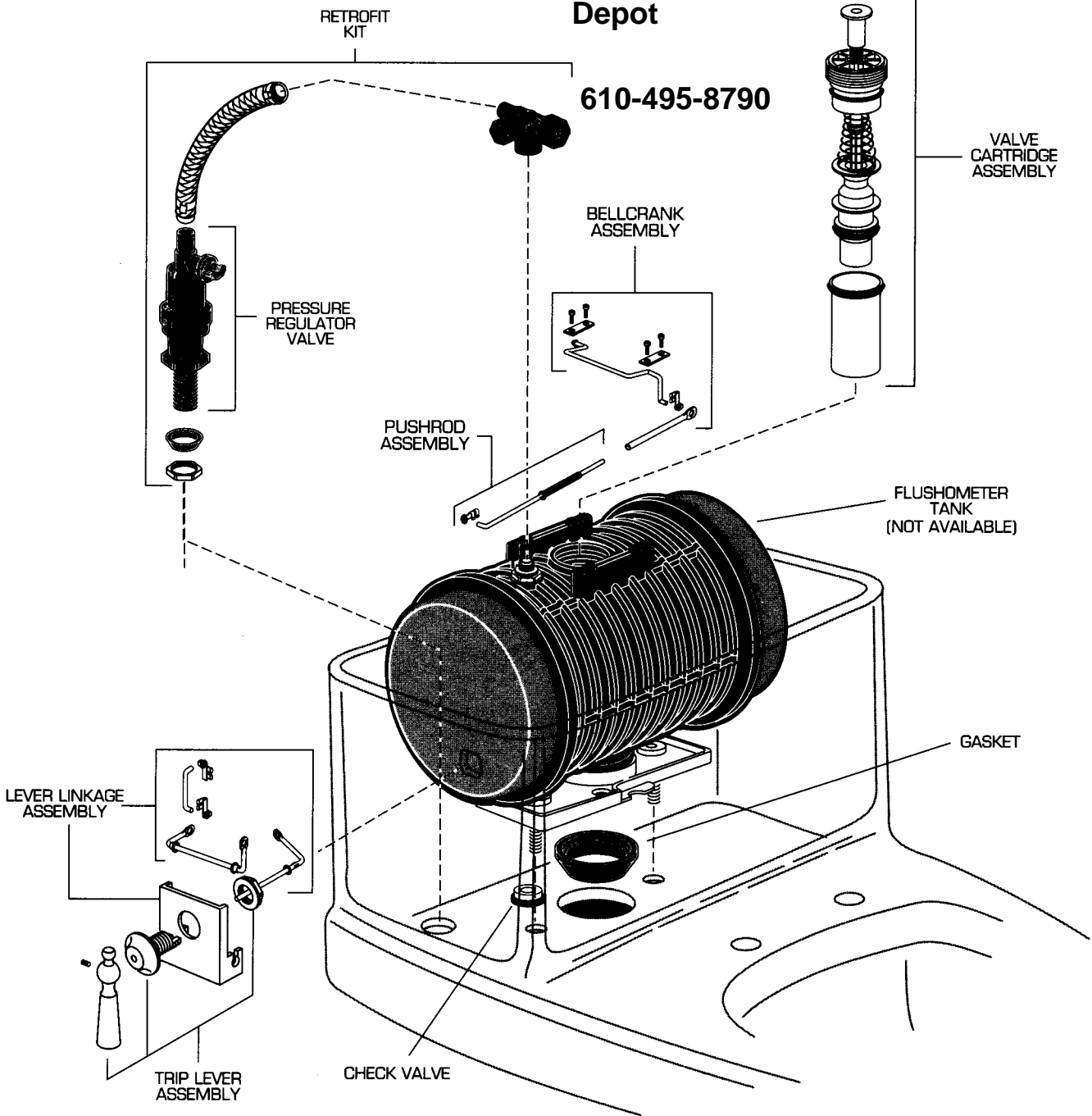
| DESCRIPTION                   | ▷ COMPONENT    | PKG QTY |
|-------------------------------|----------------|---------|
| ★ Tank Cover only (With Hole) | 735045.400.XXX | 1       |
| ★ Seat and Cover              | 5357.016..XXX  | 1       |
| DESCRIPTION                   | PART NUMBER    | PKG QTY |
| ★ Trip Lever                  | 738097-YYYOA   | 1       |
| ★ Bolt Cap Cover Plate Kit    | 047227-XXXOA   | 2       |
| ★ Seat Post Mounting Kit      | 047234-XXXOA   | 1       |

▷ FOR COMPONENT PART ORDERING SEE CURRENT  
PRODUCT SELECTOR AND PRICING GUIDE

★ Replace XXX with  
Fixture Color Code,  
YYY with Trim Finish

Plumbing Parts  
Depot

610-495-8790



| REPAIR PARTS     | DESCRIPTION              | PART NUMBER  | PKG QTY |
|------------------|--------------------------|--------------|---------|
| Flushometer Tank | Retrofit Kit             | 738452-0070A | 1       |
|                  | Valve Cartridge Assembly | 047563-0070A | 1       |
|                  | Trip Lever Assembly      | 738097-YY0A  | 1       |
|                  | Lever Linkage Assembly   | 738091-0070A | 1       |
|                  | Pushrod Assembly         | 738096-0070A | 1       |
|                  | Bellcrank Assembly       | 730289-0070A | 1       |
|                  | Gasket                   | 730257-0070A | 1       |
|                  | Check Valve              | 738225-0070A | 1       |

**738209-0070A**  
in above kit