

# MODEL 4033 (OLD COMPACT)

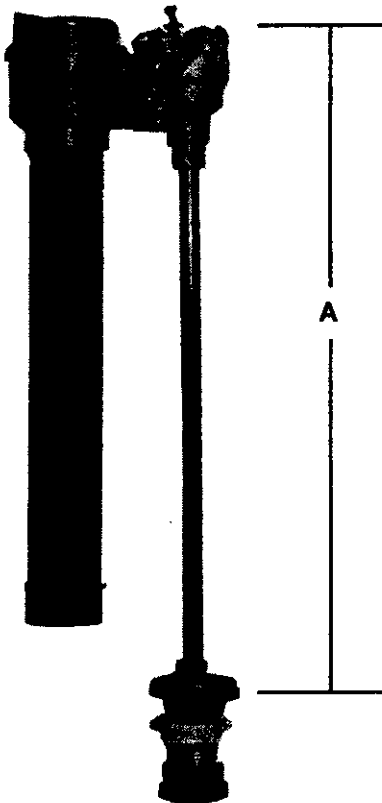
1. AS 3131-0750 - Ballcock
2. AS 47089-0700 - Flush Valve
3. AS 70437-0200 - Tank Lever

**FLUSH VALVE  
47089-0700**

**AMERICAN STANDARD  
GENUINE OBSOLETE BALLCOCKS**

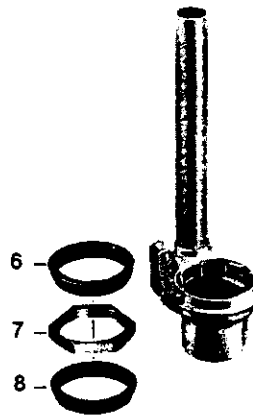
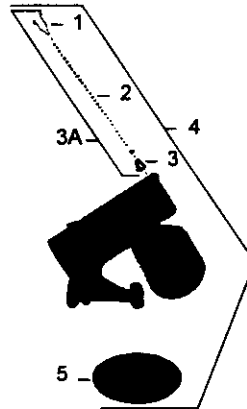
PART NUMBER	A (SIZE)
3131-075	Approx. 11 Inches
3137-098	Approx. 11 ½ Inches
3137-155	Approx. 9 ¼ inches
3136-058	Approx. 13 ¾ Inches

Above water controls include float rod and refill tube, 3/8" coupling nut inlet.



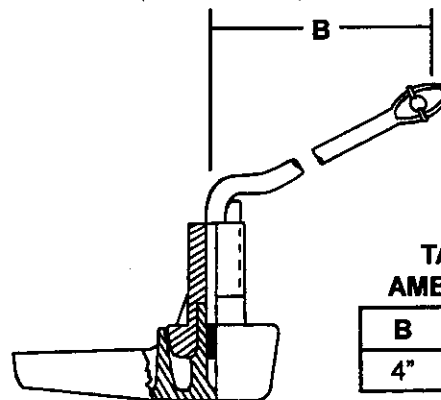
**REPAIR PARTS FOR ABOVE NUMBERS**

12971-09	Kit: Includes Cap And Plunger, Seal, Nylon Seat
70422-07	Cap And Plunger Assembly
73070-07	Seal
73002-07	Nylon Seat
73019-09	Pivot Arm
73018-07	Pivot Pin
1601-07	Float Ball



NO.	DESCRIPTION	PART NO.
1	Lift Chain Retainer	73389-07
2	Lift Chain	73388-07
3	Grommet	73387-07
3A	Lift Chain S/A	8321-07
4	Actuating Unit	33642-07
5	Snap-on Seat Disc	33643-07
6	Washer	1039-07
7	Lock Nut	33332-07
8	Washer	34602-07

**ORIGINAL EQUIPMENT TANK LEVERS  
METAL HANDLES, CHROME PLATED, WITH BRASS ARMS**



**TANK LEVER FOR  
AMERICAN STANDARD**

B	WITH BRASS ARM
4"	73382-02 REPLACED BY 70437-02 (PLASTIC ARM)

**Plumbing Parts Depot  
610-495-8790  
www.ppd1.biz**