

Shelf Back Lavatory Fittings

Quality and Monogram Trim—NU-RE-NU



Quality for F 102



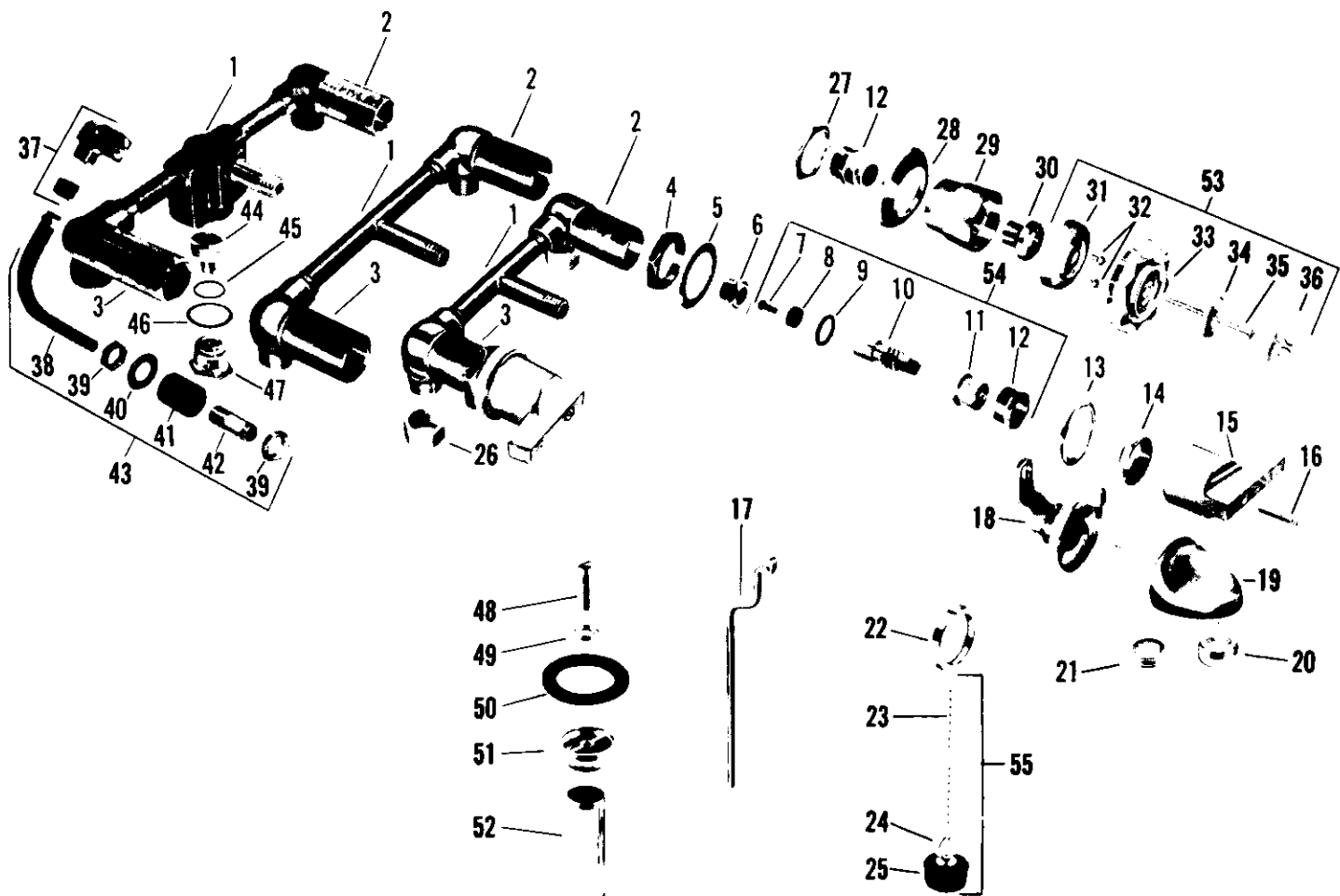
Monogram for F 102



Quality for F 572



Monogram for F 572



no.	description	part no.	F 301 F 305 Quality Pop-up Drain	F 102 Quality	F 572 Quality	F 102 Monogram	F 572 Monogram	F 301 F 305 Quality Chain & Stopper
1	Tee	25585-08						
	Tee	25581-08						
	Tee	25587-08						
2	Body w/seat - R.H.	8168-08						
	Body w/seat - R.H.	8188-08						
3	Body w/seat - L.H.	8169-08						
	Body w/seat - L.H.	8189-08						
4	Lock Nut	25045-08						
5	Friction Washer	796-29						
6	Seat	862-14						
7	Seat Washer Screw	759-27						
8	Seat Washer	858-17						
9	"O" Ring	886-17						
10	Stem w/washer & Screw - R.H.	853-14						
	Stem w/washer & Screw - L.H.	856-14						
11	Stem Nut - R.H.	854-17						
	Stem Nut - L.H.	857-17						
12	Lock Nut	855-17						
	Lock Nut	508-17						
13	Escutcheon	325-22						
	Escutcheon	679-32						
14	Escutcheon Holder	800-32						
15	Handle - Specify Index	64071-02						
16	Handle Screw	852-11						
17	Lift Rod (F-305)	1261-25						
	Lift Rod (F-102 & F-301)	879-15						
18	Handle Ring w/insert	5412-02						
	Handle Ring w/insert	872-12						
	Handle Ring w/insert	872-13						
19	Spout	528-32						
	Spout	878-12						
	Spout	1368-12						
	Spout	1368-13						
	Spout	1322-23						
20	Aerator	56110-02						
	Aerator	56110-03						
21	End Trim	279-12						
22	Spout Flange	1086-12						
23	Chain	1112-02						
24	Link	1128-22						
25	Rubber Stopper	1012-12						
26	Coupling Nut	24220-08						
27	Lock Nut	509-17						
28	Escutcheon	25887-03						
29	Escutcheon Holder	25161-03						
30	Handle Adapter	25962-08						
31	Handle Skirt	25120-03						
32	Handle Screw	570-15						
33	Handle (Clear)	586-17						
34	Washer	568-15						
35	Screw	571-15						
36	Button - Specify Index	25107-03						
37	Compression Elbow w/Nut	1290-37						
38	Tube	769-37						
39	Lock Nut	767-37						
40	Washer	770-37						
41	Expansion Washer	766-37						
42	Sleeve	25129-08						
43	Supply Connection S/A	5047-08						
44	Check Valve	772-37						
45	"O" Ring	232-37						
46	Washer	741-27						
47	Plug	774-37						
48	Outlet Connection Screw	764-32						
	Outlet Connection Screw	764-33						
49	Washer	765-32						
	Washer	765-33						
50	Outlet Washer	773-37						
51	Outlet Flange	771-32						
	Outlet Flange	771-33						
52	Tailpiece	39147-04						
	Tailpiece	39147-03						
53	Assembled Handle - Specify Index	9251-03						
54	Stem Assembly - R.H.	6079-04						
	Stem Assembly - L.H.	6080-04						
	Stem Assembly - R.H.	6078-04						
55	Chain & Stopper S/A	7246-02						

Monogram Handles

Clear.....586-17 Assembly...9251-03
 Ruby Red.....587-17 Assembly...9252-03
 Royal Blue.....588-17 Assembly...9253-03

Aura (Yellow)..589-17 Assembly...9254-03
 Verdi (Green)..590-17 Assembly...9255-03
 Amethyst.....591-17 Assembly...9256-03

Note - For Pop-up Drain parts for F 102 F 301 and F 305 refer to R 2542 on page 156
 For Chain & Stopper Drain parts for F 301 and F 305 refer to R 2522 on page 154