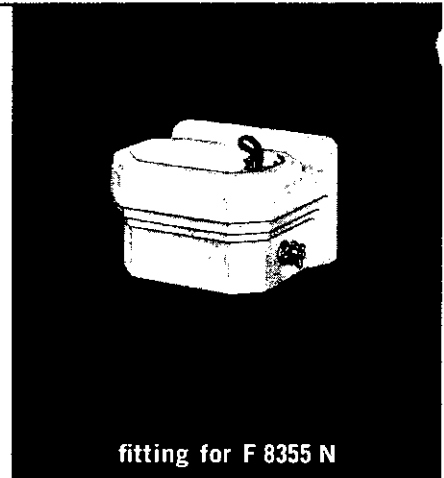
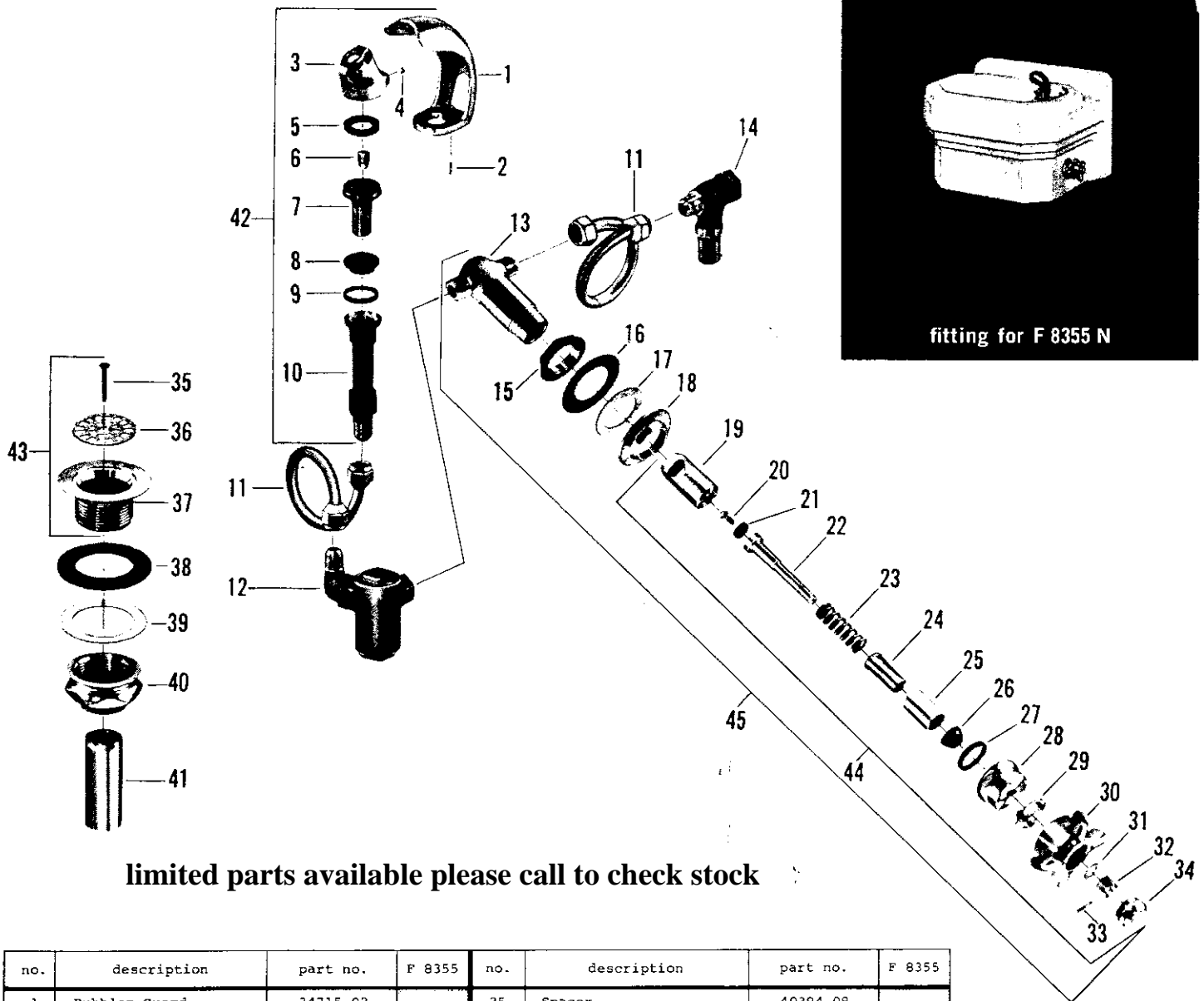


Drinking Fountain Fitting

for Neo-toric



fitting for F 8355 N



limited parts available please call to check stock

no.	description	part no.	F 8355	no.	description	part no.	F 8355
1	Bubbler Guard	34715-02		25	Spacer	40394-08	
2	Pin for Bubbler Guard	34716-08		26	Stem Packing	129-07	
3	Bubbler	34713-02		27	Cap Washer	1044-07	
4	Set Screw for Bubbler	340-05		28	Cap	21430-02	
5	Jet	34761-08		29	Ball Race	527-17	
6	Bubbler Washer	487-07		30	Handle	23437-02	
7	Bubbler Shank	34708-08		31	Friction Washer	21771-08	
8	Shank Washer	58-07		32	Handle Nut	1150-07	
9	Washer for Socket	28-17		33	Pin	433-07	
10	Socket	34709-08		34	Handle Cap	23098-02	
11	Supply Tube	1713-07		35	Strainer Screw	1116-01	
12	Regulator S/A*	11703-08		36	Strainer Grate	28072-02	
13	Valve Body	34712-04		37	Strainer Plug	28170-02	
14	Stop S/A	11704-08		38	Plug Washer	37-17	
15	Lock Nut	24526-08		39	Friction Washer	20645-09	
16	Friction Ring	20829-09		40	Socket	28043-08	
17	Cushion Washer	49-17		41	Tailpiece	39139-08	
18	Flange	68040-02		42	Bubbler & Socket S/A	8151-02	
19	Re-Nu Sleeve	21376-08		43	Assembled Strainer Plug	15056-02	
20	Seat Washer Screw	159-17		44	Re-Nu Self-closing Unit	11708-02	
21	Seat Washer	1171-27		45	Valve S/A	11702-02	
22	Stem w/washer & Screw	21191-08					
23	Spring	1188-07					
24	Gland	33898-08					
					Sub-assembly		
					Furnished complete with Outlet Trap under-#17313-02		

*Note - Refer to B 840 on page 284 for Internal Parts