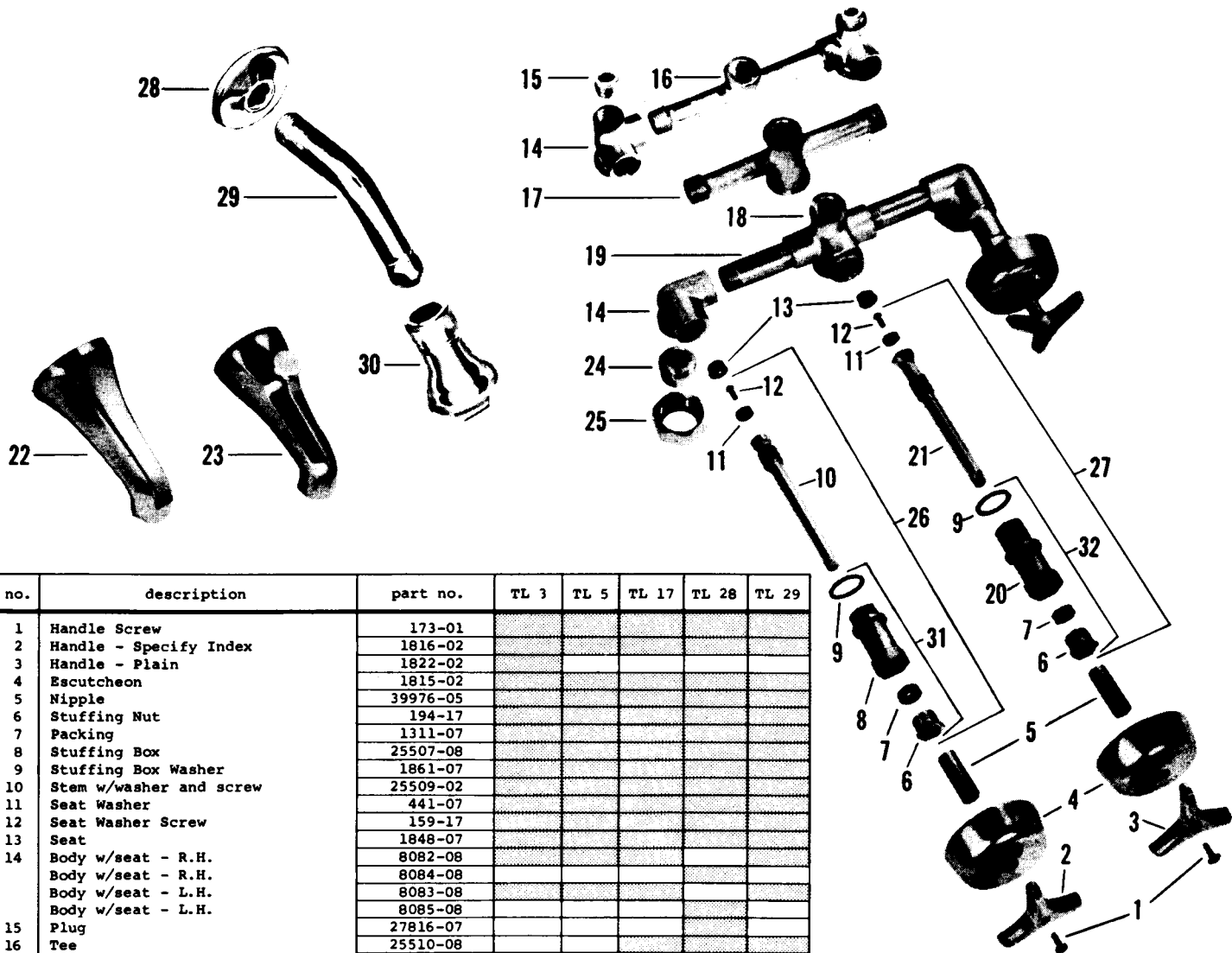
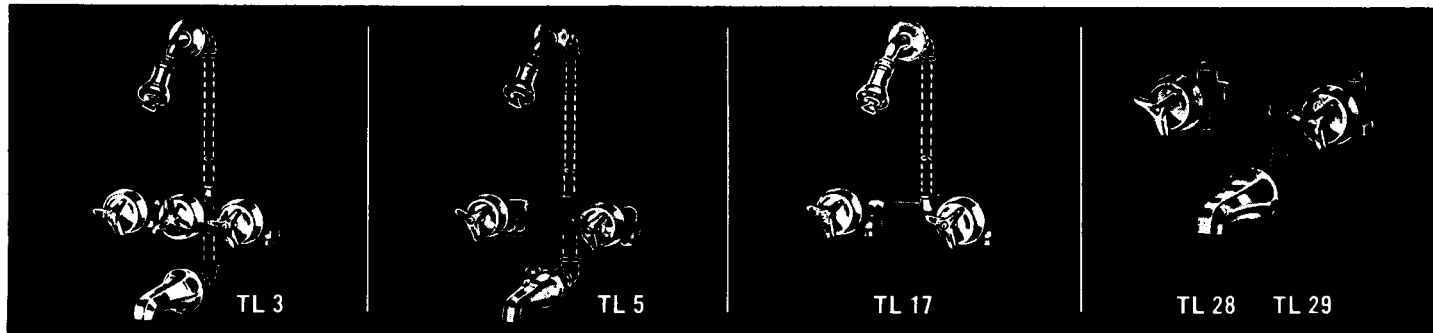


Bath and Shower Fittings

Tract Line



no.	description	part no.	TL 3	TL 5	TL 17	TL 28	TL 29
1	Handle Screw	173-01					
2	Handle - Specify Index	1816-02					
3	Handle - Plain	1822-02					
4	Escutcheon	1815-02					
5	Nipple	39976-05					
6	Stuffing Nut	194-17					
7	Packing	1311-07					
8	Stuffing Box	25507-08					
9	Stuffing Box Washer	1861-07					
10	Stem w/washer and screw	25509-02					
11	Seat Washer	441-07					
12	Seat Washer Screw	159-17					
13	Seat	1848-07					
14	Body w/seat - R.H.	8082-08					
	Body w/seat - R.H.	8084-08					
	Body w/seat - L.H.	8083-08					
	Body w/seat - L.H.	8085-08					
15	Plug	27816-07					
16	Tee	25510-08					
17	Cross	9820-08					
18	Transfer Body w/seat	8081-08					
19	Nipple	25707-08					
20	Transfer Valve Stuffing Box	25506-08					
21	Transfer Stem w/washer and screw	25508-02					
22	Spout	1814-02					
23	Diverter Spout	1458-02					
24	Swivel - S.P.S.	1836-07					
	Swivel - Copper Water Tube	244-17					
25	Coupling Nut	25513-08					
26	Valve Trim S/A - Hot or Cold	9806-02					
27	Transfer Valve Trim S/A	9803-02					
28	Arm Flange	1847-07					
29	Shower Arm	1846-02					
30	Shower Head S/A *	18990-02					
31	Stuffing Box S/A	8119-08					
32	Transfer Valve Stuffing Box S/A	8120-08					

* Refer to R 1301 on page 60 for parts for #18990-02 Shower Head S/A