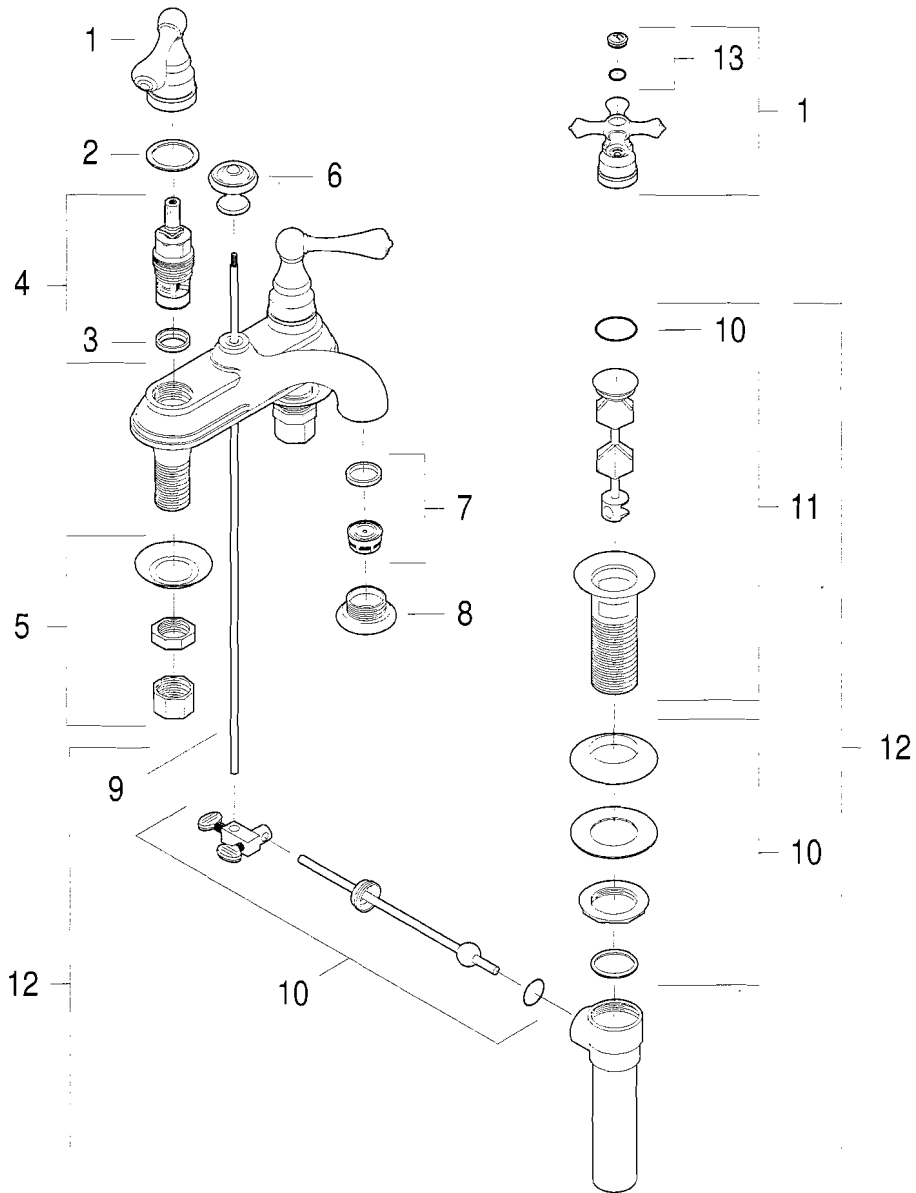


# Centerset Faucets (1998 or Newer)

1/2" Ceramic Disc Valves

## Parts Diagram



Part No.	Description
----------	-------------

- |    |  |
|----|--|
| 1. | See Note Handle Assembly                   |
| 2. | 26.53428 000 Friction Washer               |
| 3. | 26.58432 000 Seat Washer                   |
| 4. | 26.58352 000 Ceramic Disc Cartridge (Hot)  |
|    | 26.58351 000 Ceramic Disc Cartridge (Cold) |
| 5. | 26.58172 000 Nut and Washer Kit            |

Part No.	Description
----------	-------------

- |     |  |
|-----|--|
| 6.  | See Note Pop-Up Knob                       |
| 7.  | 26.58157 000 2.0 GPM Aerator               |
| 8.  | See Note Mouthpiece                        |
| 9.  | 26.58389* Lift Rod (605 & 625 Finish Only) |
| 10. | 26.58163 000 Waste Kit                     |

Part No.	Description
----------	-------------

- |     |  |
|-----|--|
| 11. | 26.58164* Waste Plug & Guide   |
| 12. | 26.58339* Complete Waste System  |
| 13. | 26.58166* Index Button Set (Includes 1 each: "Hot" Button, "Cold" Button & "Brass" Button) |

26.57815 000 Extended Ball & Rod