

# 3 Valve Tub and Showers (1998 or Newer)

1/2" Ceramic Disc Valves

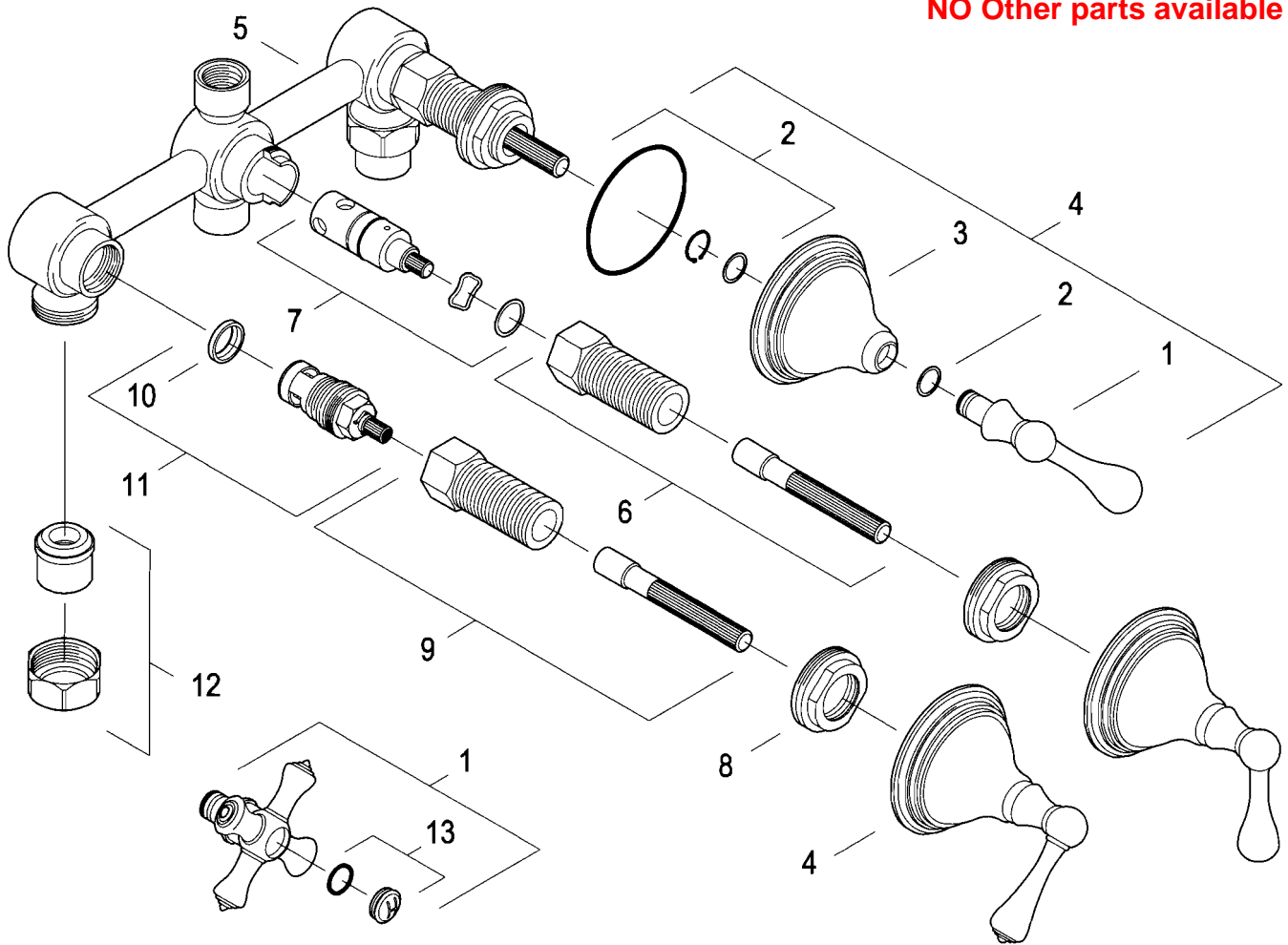
Parts Diagram



**Plumbing Parts Depot**  
**610-495-8790**  
**www.ppd1.biz**

For Personal Showers and  
 Tub Spouts Refer to Shower  
 Systems Section.

**H & C Cartridges only**  
**NO Other parts available**



Part No.	Description
----------	-------------

- |    |  |
|----|--|
| 1. | See Note Handle Assembly                           |
| 2. | 26.58156 000 Trim Washer Kit                       |
| 3. | See Note Bell Assembly<br>(Includes O-Ring Seal)   |
| 4. | See Note Trim Assembly                             |
| 5. | 6NS08 000 Rough-In<br>(Includes: 6, 7, 9, 11 & 12) |
| 6. | 26.58104 000 Diverter Spindle and Sleeve Kit       |

Part No.	Description
----------	-------------

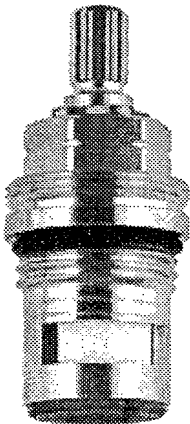
- |     |   |
|-----|---|
| 7.  | 26.58175 000 Diverter Assembly  |
| 8.  | 26.58341 000 Deck Nut<br>(For: ED, ER, OD & WS)   |
| 9.  | 26.58103 000 Spindle and Sleeve Kit   |
| 10. | 26.58432 000 Seat Washer  |
| 11. | 26.58352 000 Ceramic Disc Cartridge (Hot)<br>26.58351 000 Ceramic Disc Cartridge (Cold) |

Part No.	Description
----------	-------------

- |     |  |
|-----|--|
| 12. | 26.58173 000 Union Kit   |
| 13. | 26.58166* Index Button Set (Includes 1 each:<br>"Hot" Button, "Cold" Button<br>& "Brass" Button) |
|     | 26.58165* Diverter Index Button Set<br>(Includes: One "Plain" Button<br>& One "Brass" Button)    |

26.50009 000 Extender Kit

CC - Claire Crystal, CW - Colony White, ED - Edwardian, ER - English Rope, OD - Old Dominion, WB - William, WS - Windsor



26.58351000 Cold  
26.58352000 Hot