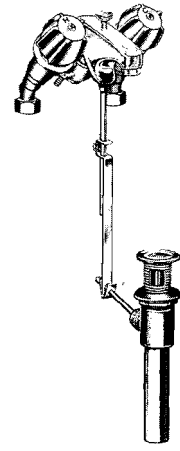
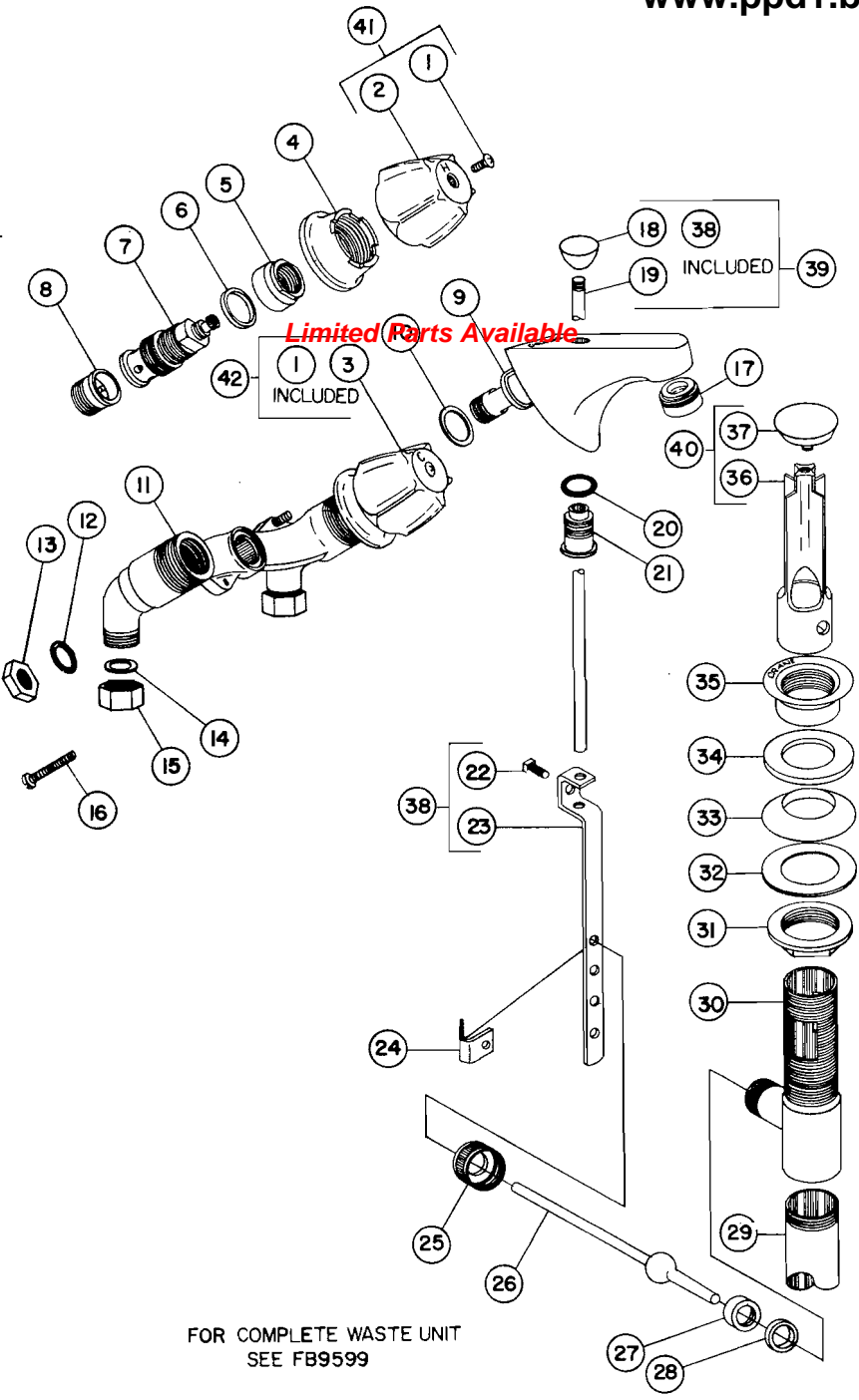


Plumbing Parts Depot
610-495-8790
www.ppd1.biz



8-2012A



FOR COMPLETE WASTE UNIT
SEE FB9599

ITEM	PART NO.	DESCRIPTION	CAT NO.
1	F13828	HANDLE SCREW	2
2	F13818	"H" INDEX HANDLE	1
3	F13819	"C" INDEX HANDLE	1
4	F11743	FLANGE	2
5	F10715	LOCKNUT	2
6	F10590	GASKET	2
7	FB8173	L.H. DIAL ESE TRIM S.A.	2
8	F13942	SEAT EXTENSION	2
9	F13946	SPOUT	2
10	F11348	GASKET	1
11	F15038	BODY	1
12	F13975	"O"RING	1
13	F13941	LOCKNUT	1
14	F496	FRICION RING	2
15	F14083	UNION RING	2
16	F14245	SCREW	2
17	FA11899	AERATOR	1
18	F15074	LIFT ROD KNOB	1
19	F15077	LIFT ROD	1
20	F13206	"O"RING	1
21	F15092	ROD BUSHING	1
22	F14141	SQ. HEAD SCREW	1
23	F15079	LIFT ROD EXTENSION	1
24	F17070	FULCRUM ROD CLIP	1
25	F17068	BALL RETAINING CAP	1
26	FB9814	FULCRUM ROD & BALL	1
27	F17069	FULCRUM BALL SEAL	1
28	F17066	PACKING RING	1
29	F14850	1/4" O.D. TAILPIECE	1
30	F17654	WASTE BODY	1
31	F17653	LOCKNUT	1
32	F17025	LOCKNUT WASHER	1
33	F2473	SPUD GASKET	1
34	F12319	COLLAR GASKET	1
35	F16582	COLLAR	1
36	F14872	STOPPER GUIDE	1
37	F14874	STOPPER	1
38	FB9491	LIFT ROD EXTENSION S.A.	1
39	FB9493	LIFT ROD S.A.	1
40	FB11029	STOPPER S.A.	1
41	FB9401	"H" INDEX HANDLE S.A.	1
42	FB9402	"C" INDEX HANDLE S.A.	1

DWG. NO.

CAPRI LAVATORY FITTING

CATALOG NO.

DATE
10-1-73

CRANE

PARTS LIST

8-2012A