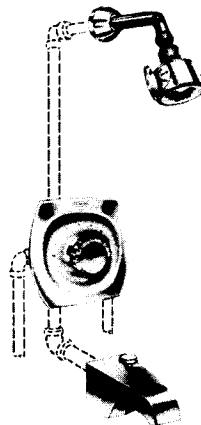


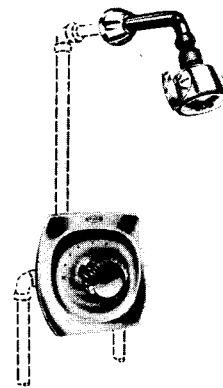
Plumbing parts Depot

610-495-8790

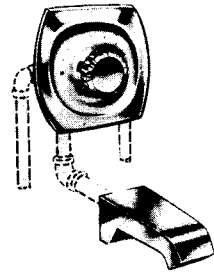
www.ppd1.biz



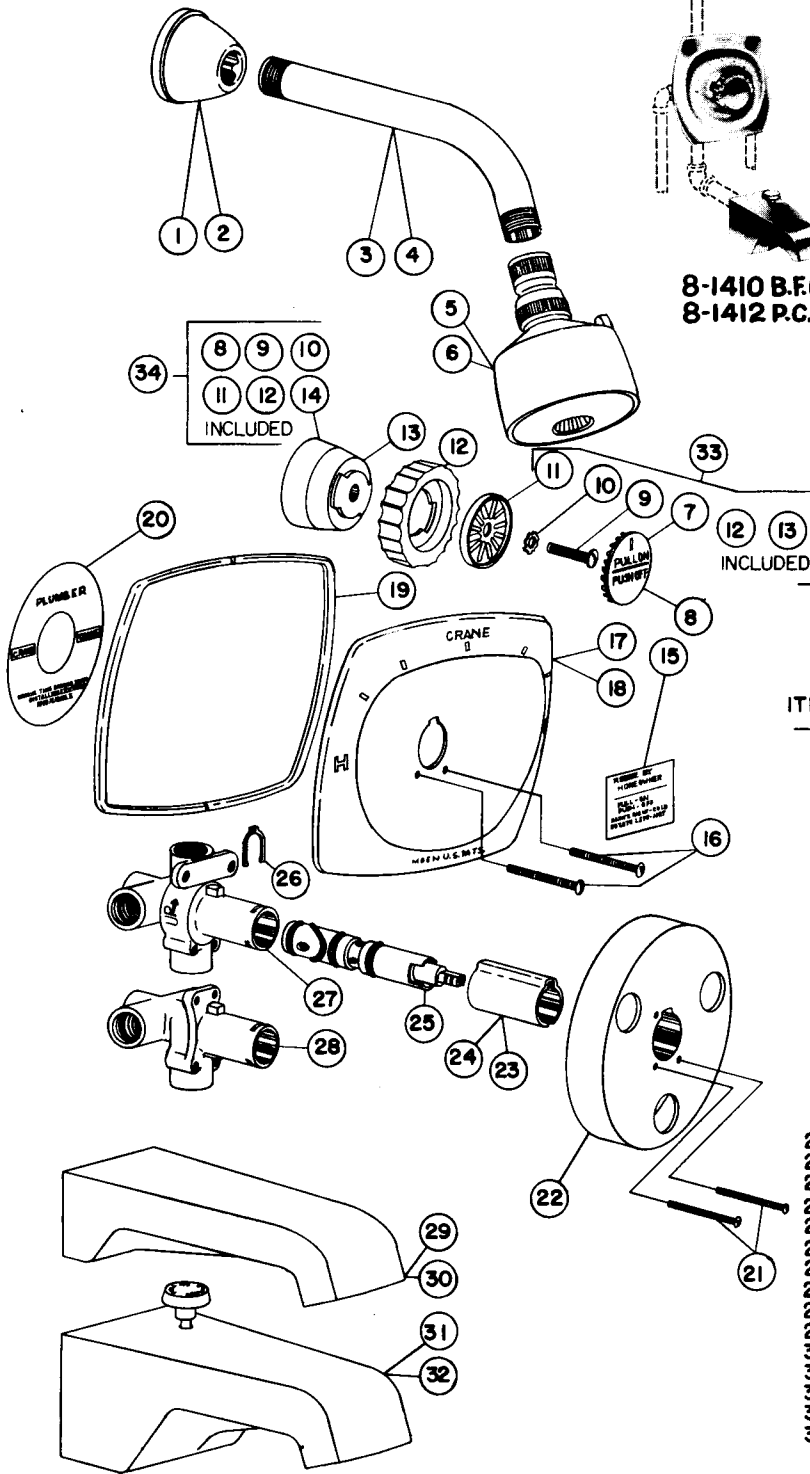
8-1410 B.F.C.P.
8-1412 P.C.P.



8-1420 B.F.C.P.
8-1422 P.C.P.



8-1430 B.F.C.P.
8-1432 P.C.P.



ITEM	PART NO.	DESCRIPTION	CAT. NO.					
			8-1410	8-1412	8-1420	8-1422	8-1430	8-1432
1	F16666	ESCUTCHEON						
2	F16667	ESCUTCHEON						
3	F143	SHOWER ARM						
4	F12029	SHOWER ARM						
5	8-1561	SHOWER HEAD						
6	8-1560	SHOWER HEAD						
7	F16658	PLUG BOTTOM						
8	F16659	PLUG BOTTOM						
9	F16855	SCREW						
10	F13859	LOCKWASHER						
11	F15316	WASHER						
12	F15294	PLASTIC RING						
13	F15329	HANDLE SKIRT						
14	F15330	HANDLE SKIRT						
15	F13862	INSTRUCTION LABEL						
16	F15104	SCREW						
17	F15044	COVER PLATE	2	2	2	2	2	2
18	F15188	COVER PLATE						
19	F15214	SEAL STRIP						
20	F15070	LABEL						
21	F15105	SCREW	2	2	2	2	2	2
22	F15108	PLASTER GROUND						
23	F15101	STOP TUBE						
24	F15185	STOP TUBE						
25	FB9704	STEM & CARTRIDGE						
26	F13893	STOP CLIP						
27	F15099	VALVE BODY						
28	F15102	VALVE BODY						
29	F14025	SPOUT						
30	F13469	SPOUT						
31	FB9554	SPOUT S.A.						
32	FB9553	SPOUT S.A.						
33	FB9996	CLEAR ACRYLIC HDL. S.A.						
34	FB9997	CLEAR ACRYLIC HDL. S.A.						

DWG. NO.
DATE
10-1-73

CRITERION DIALETTE TUB FILLER-
BATHAND/OR SHOWER FITTING

CRANE

PARTS LIST

CATALOG NO.
8-1410 B.F.C.P.
8-1412 P.C.P.
8-1420 B.F.C.P.
8-1422 P.C.P.
8-1430 B.F.C.P.
8-1432 P.C.P.