

Parts list for fittings number: E-9343 E-9344
(Disc. 1969)

**Plumbing Parts
Depot**
610-495-8790
www.ppd1.biz

E-9343-A

Limited Parts Available

Item No.	Part No.	Description
1	490-5668-00	Screw
2	490-1305-00	Coupling nut
3	490-2734-00	Valve seat
+ *4A	490-4788-01	Stem unit LH (hot valve)
+ *4B	490-4788-02	Stem unit RH (cold valve)
4C	490-8051-01	Stem unit LH (hot valve)
4D	490-8051-02	Stem unit RH (cold valve)
+ *5A	490-4648-01	Stem assy. LH (hot valve)
+ *5B	490-4648-02	Stem assy. RH (cold valve)
5C	490-6541-01	Stem assy. LH (hot valve)
5D	490-6541-02	Stem assy. RH (cold valve)
+ *6	490-4636-00	Flange
7	490-6249-01	Flange
8	490-6250-01	Sleeve
+ *9	490-5864-00	Handle only
10	490-2965-00	Screw
11A	490-3469-01	Index button "H"
11B	490-3469-02	Index button "C"
12A	490-6375-01	Handle assy. "H"
12B	490-6376-02	Handle assy. "C"
13	490-6423-00	Speed nut
14	490-6424-00	Connecting rod assy.
+ *15	490-4169-00	Sleeve
+ *16	490-4644-01	Lever handle
*17A	490-4646-00	Spout (E-9343-A)
*17B	490-4886-00	Spout (E-9344-A)
18	490-5669-00	Aerator
19	490-4681-00	Gasket
20	490-4711-00	Screen (2 req'd)
+ *21	490-6490-00	Nozzle
22	490-6292-00	Nozzle assy.
+ *23	490-4710-00	Nozzle
+ *24	490-3993-00	Connecting rod (13 7/8)
25	490-1017-00	Cotter pin
+ *26	490-4170-00	Lever arm
27	490-6398-00	Bracket screw assy.
28A	490-5700-00	Waste unit (E-9343)
28B	490-6214-00	Waste unit (E-9343)
+ *28C	E-9775	Waste unit (E-9344)

For additional information on component parts of units and assemblies or identification of parts, see accessory section.

* = not available

+ * = not available, see note

Note: 1 — Items 4A & 4B specify 490-8105-01 LH or 490-8105-02 RH as req'd.

2 — Items 5A & 5B specify 490-2807-01 LH or 490-2807-02 RH as req'd.

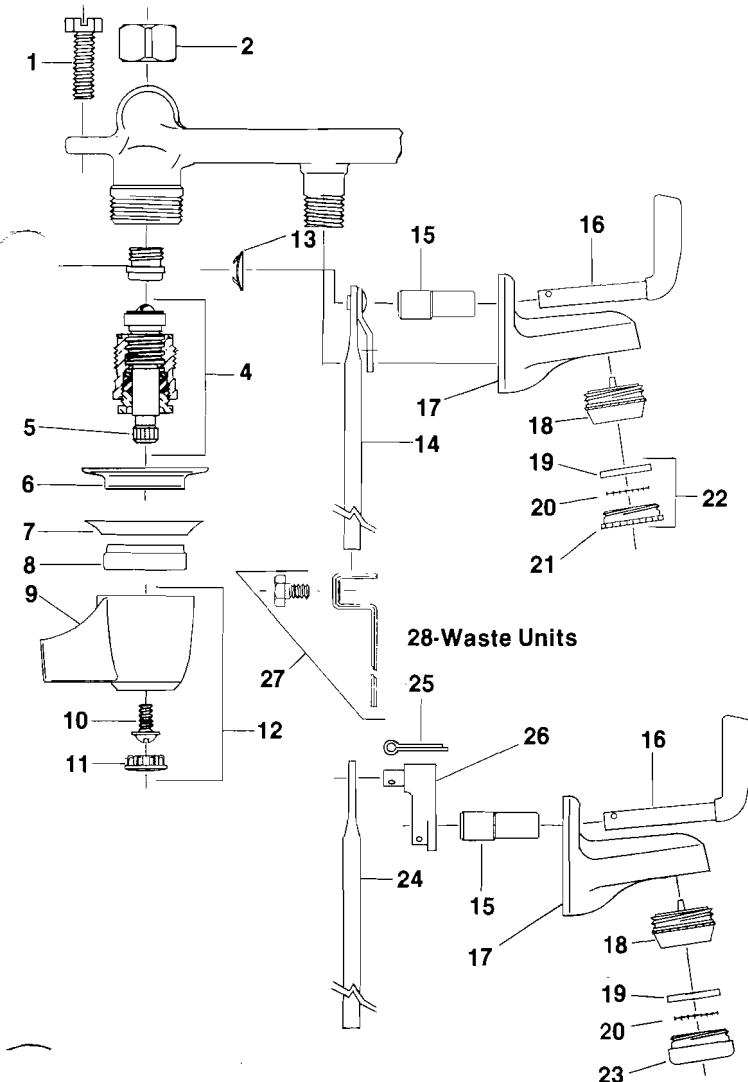
3 — Item 6 specify Items 7 and 8.

4 — Item 9 specify Item 12A or 12B as req'd.

5 — Items 15, 16, 24 & 26 specify 490-7205-00 lava. handle operating units

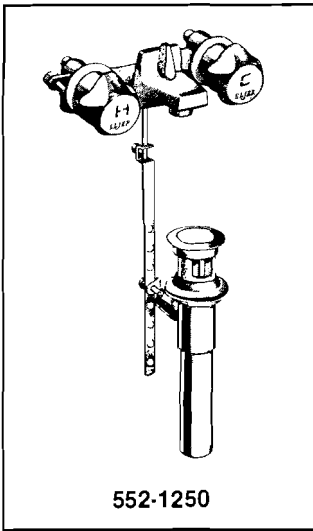
6 — Items 21 & 23 specify Item 22

7 — Item 28C specify 803-0542



28-Waste Units

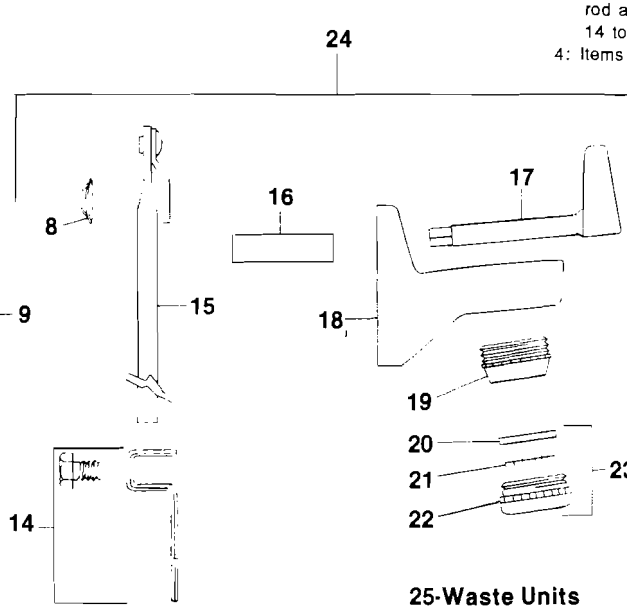
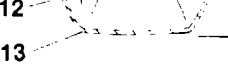
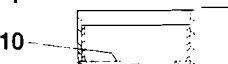
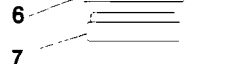
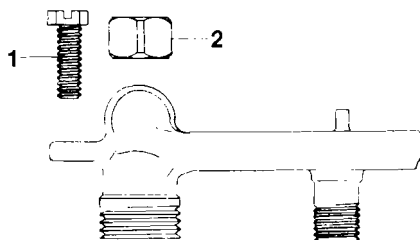
Parts list for fittings number: 552-1250 E-9316-A
552-1255 (Disc. 1/73)



Plumbing Parts Depot
610-495-8790
www.ppd1.biz

Limited Parts Available

Item No.	Part No.	Description
1	490-5668-00	Screw (2 req'd)
2	490-1305-00	Coupling nut (2 req.)
3	490-2734-00	Valve Seat (2 req.)
4	490-8051-02	Stem Unit R.H. Thd. (Hot or Cold)
5	490-2807-04	Valve Stem Assy. R.H. Thd.
6	490-6249-01	Flange (2 req.)
7	490-6250-01	Sleeve (2 req.)
8	490-6423-00	Speed nut
9A	490-6671-01	Handle Assy. "H"
9B	490-6671-02	Handle Assy. "C"
9C	490-8096-01	Translucent handle assy. "H" (not shown)
9D	490-8096-02	Translucent handle assy. "C" (not shown)
+*10	490-6675-00	Retainer
+*11	490-6674-00	Adapter
12	490-2965-00	Screw
+*13A	490-6673-01	Handle only "H"
+*13B	490-6673-02	Handle only "C"
14	490-6398-00	Bracket & Screw Assy.
15	490-6424-00	Connecting Rod Assy.
16	490-8147-00	Sleeve
17	490-8145-00	Handle
18	490-8115-00	Spout
19	490-5669-00	Aerator
20	490-4681-00	Gasket
21	490-4711-00	Screen (2 req.)
+*22	490-6490-00	Nozzle
23	490-6292-00	Nozzle Assy.
24	490-7205-00	Lava. Handle operating unit (see note 2)
25A	490-6855-00	Waste unit Disc 12/81
25B	803-0542	Drain Plug
25C	490-8768-00	Pop-up waste assembly Disc 9/84
25D	490-8905-00	Pop-up waste assembly (see Note 3)



For additional information on component parts of units and assy's. or identification of parts, see accessory section.

* = not available

+* = not available, see note

Note: 1: Item 22 specify Item 23

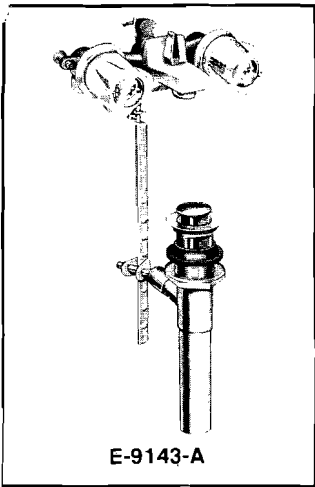
2: Item 24 includes Items 8, 15, 16, & 17.

3: Item 25D includes item 14 and 490-6942-00 pop-up rod assy. disregard pop-up rod assy. and connect item 14 to item 15.

4: Items 10, 11, 13A & 13B specify items 9A or 9B

25-Waste Units

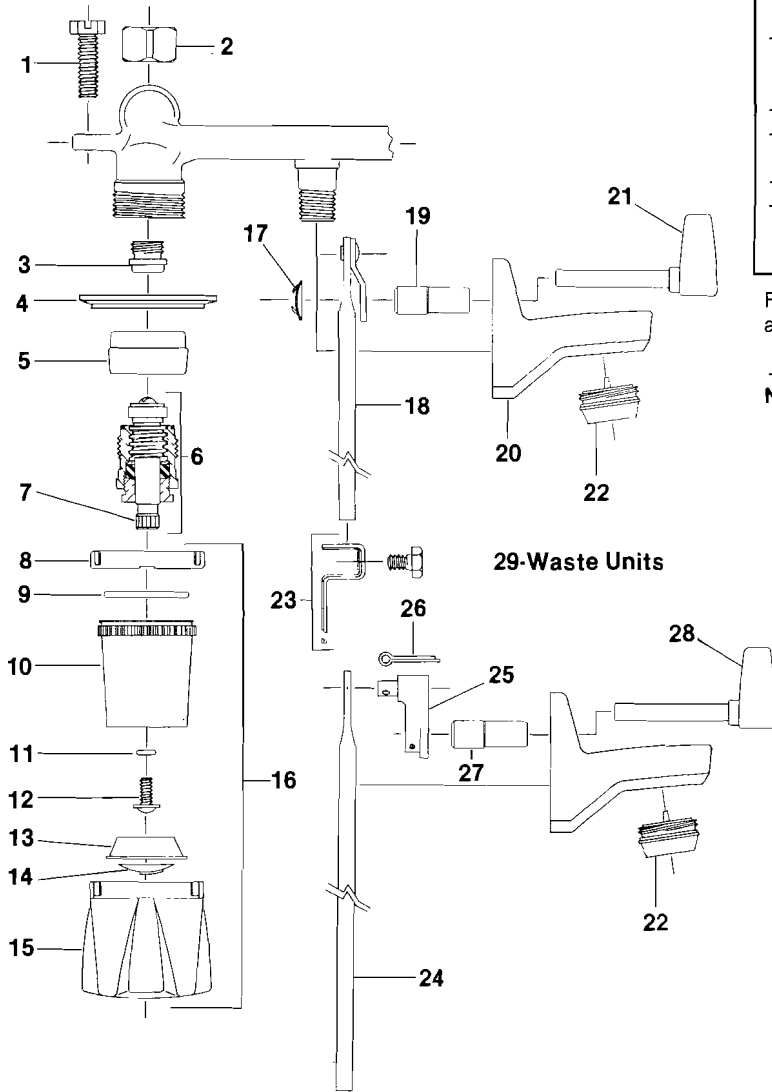
Parts list for fittings number: E-9143 (Disc. 6/72)



Plumbing Parts Depot
610-495-8790
www.ppd1.biz

Limited Parts Available

Item No.	Part No.	Description
1	490-5668-00	Screw
2	490-1305-00	Coupling nut
+ *3	490-5159-00	Valve seat
+ *4	490-5151-00	Flange
+ *5	490-5125-00	Sleeve
6	490-5182-02	Stem unit RH Thd.
7	490-2807-02	Valve stem assy. RH Thd.
+ *8	490-5102-00	Retainer
+ *9	490-5228-00	"O" ring
+ *10	490-5101-00	Insert
11	490-3067-00	"O" ring
12	490-2965-00	Screw
+ *13	490-5104-00	Cup & star disc
+ *14	490-5095-00	Monogram
+ *15	490-5100-00	Handle only
+ *16	490-5098-00	Handle assy.
17	490-6423-00	Speed nut
18	490-6424-00	Connecting rod assy.
+ *19	490-4169-00	Sleeve
+ *20	490-5108-00	Spout
+ *21	490-5109-00	Waste handle
22	490-5669-00	Aerator
23	490-6398-00	Bracket & screw assy.
+ *24	490-3993-00	Connecting rod
+ *25	490-4170-00	Lever
26	490-1017-00	Cotter pin
+ *27	490-4169-00	Sleeve
+ *28	490-5109-00	Waste handle
29A	490-5201-00	Waste unit
29B	490-6238-00	Waste unit



For additional information on component parts of units and assemblies or identification of parts, see accessory section.

* = not available

+ * = not available, see note

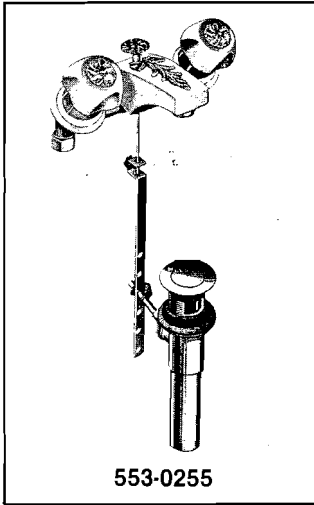
Note: 1 — Item 3 specify 490-2734-00.

2 — Items 8, 9, 10, 13, 14, 15, & 16 specify (1) 490-8096-01 "H" and (1) 490-8096-02 "C" handle assys.

3 — Items 19, 21, 24, 25, 27 & 28 specify 490-7205-00 lava. handle operating unit

Parts list for fittings number: 553-0255 553-0257
(E-9255-A) (E-9257-A)

(Disc. 2/76)



Plumbing Parts Depot
610-495-8790
www.ppd1.biz

Limited Parts Available

Item No.	Part No.	Description
+ *1	490-8169-00	Handle Assy.
+ *2	490-8173-00	Knob & Rod
3	490-3859-00	Washer
+ *4	490-8170-00	Crystal Handle only
*5	490-8142-02	Sleeve
*6	490-8162-00	Handle Assy.
*7	490-8167-00	Rivet
*8	490-8160-00	Filigree
*9	490-6673-00	Handle only
10	490-2965-00	Screw
11	490-6674-00	Adapter
12	490-6675-00	Retainer
*13	490-6250-02	Sleeve
*14	490-5151-00	Flange
15A	490-8051-02	Stem Unit R.H. Thd. (Hot or Cold) for Metal Handle
15B	490-8143-02	Stem Unit R.H. Thd. (Hot or Cold) for Crystal Handle
16A	490-6541-02	Valve Stem Assy. R.H. Thd. for metal Handle
16B	490-2733-02	Valve Stem Assy. R.H. Thd. for Crystal Handle
17	490-2734-00	Seat
18	490-5668-00	Screw
19	490-1305-00	Coupling Nut (2 req.)
+ *20	490-8161-00	Knob
*21	490-8179-00	Spout Assy. (Disc. 1/75)
22	490-5669-00	Aerator
23	490-4681-00	Gasket
24	490-4711-00	Screen (2 req.)
+ *25	490-6490-00	Nozzle
26	490-6292-00	Nozzle Assy.
+ *27	490-6254-00	Knob Rod
28	490-6398-00	Bracket & Screw Assy.
29	490-6855-02	Waste unit

For additional information on component parts of units and assemblies or identification of parts, see accessory section.

* = not available

+ * = not available, see note

Note: 1 — Items 1, 2 & 4 specify 490-7209-00 replacement unit for handle including (1) 490-8096-01 "H", (1) 490-8096-02 "C" handle assys., (2) 490-8051-02 stem units R.H. Thd. and (2) 490-6250-01 sleeve. *Note:* Use of 490-7209-00 unit also replaces Items 5 & 15B.

2 — Items 20 & 27 specify 490-6942-00

3 — Item 25 specify Item 26.

