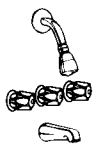


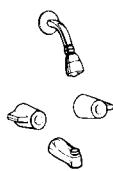
ELJER

REGATA

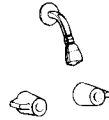
Two- and Three-Valve
Bath and Shower Faucets



515-2500 515-3500 515-4500
515-2600 515-3600 515-4600



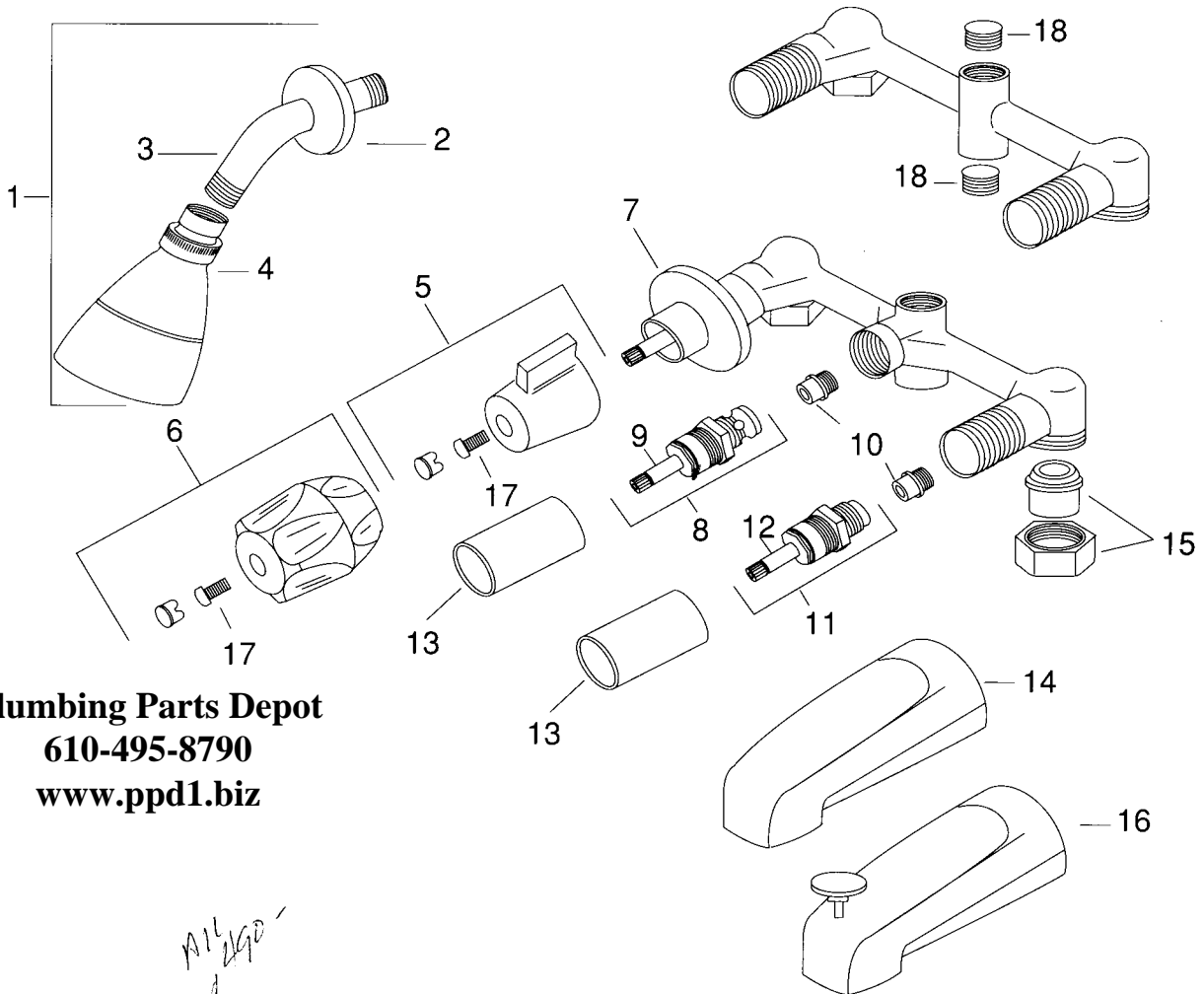
515-2700 515-3700 515-4700



535-2700 535-3700 535-4700



515-2400 515-3400 515-4400
515-2450 515-3450 515-4450



Plumbing Parts Depot
610-495-8790
www.ppd1.biz

| DESCRIPTION | PART# |
|--|--|
| 1 Showerhead, arm & flange | HAFX6757 |
| 2 Flange | V4425 |
| 3 Shower arm | V4426 |
| 4 Showerhead assy. | HED6758Z |
| 5 C.P. plastic blade handle (Hot) (Cold) (Diverter) | HDLX9069ZH HDLX9069ZC HDLX9069ZA |
| C.P. zinc blade handle (Hot) (Cold) (Diverter) | HDLX9070ZH HDLX9070ZC HDLX9070ZA |
| 6 Large clear acrylic handle (Hot) (Cold) (Diverter) | HDLX9067ZH HDLX9067ZC HDLX9067ZA |

| DESCRIPTION | PART# |
|---|------------------------|
| 7 Escutcheon assy. (slip-on) | ESCX6349 |
| 8 Diverter stem unit | RSUX7452R |
| 9 Diverter stem assembly | STMX7428R |
| 10 Seat | SET5257S |
| 11 Stem unit R.H. (H & C for clear acrylic handle, Hot for blade hndl.) Stem unit L.H.(Cold for blade hndl.) | RSUX7454R RSUX7454L |
| 12 Stem assy. R.H. (H & C for clear acrylic handle, Hot for blade hndl.) Stem assy. L.H.(Cold - blade hndl.) | STMX7420R STMX7420L |
| 13 Sleeve | SLE7450Z |

| DESCRIPTION | PART# |
|---|----------------------------|
| 14 Spout (Zinc) (Cast brass) (Zinc slip-on) | V4429 SPT4697C V4503 |
| 15 Universal parts bag (2 each) | BAGX9095 |
| 16 Diverter spout (Zinc slip-on) (Zinc) | V4504 V4428 |
| 17 Handle screw | SCR2965Z |
| 18 Sweat plug Threaded plug | PLG6998S PLG6126Z |

AN ELJER
INDUSTRIES COMPANY