

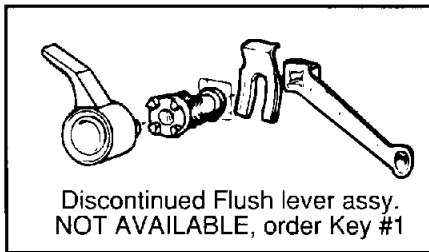
ELJER



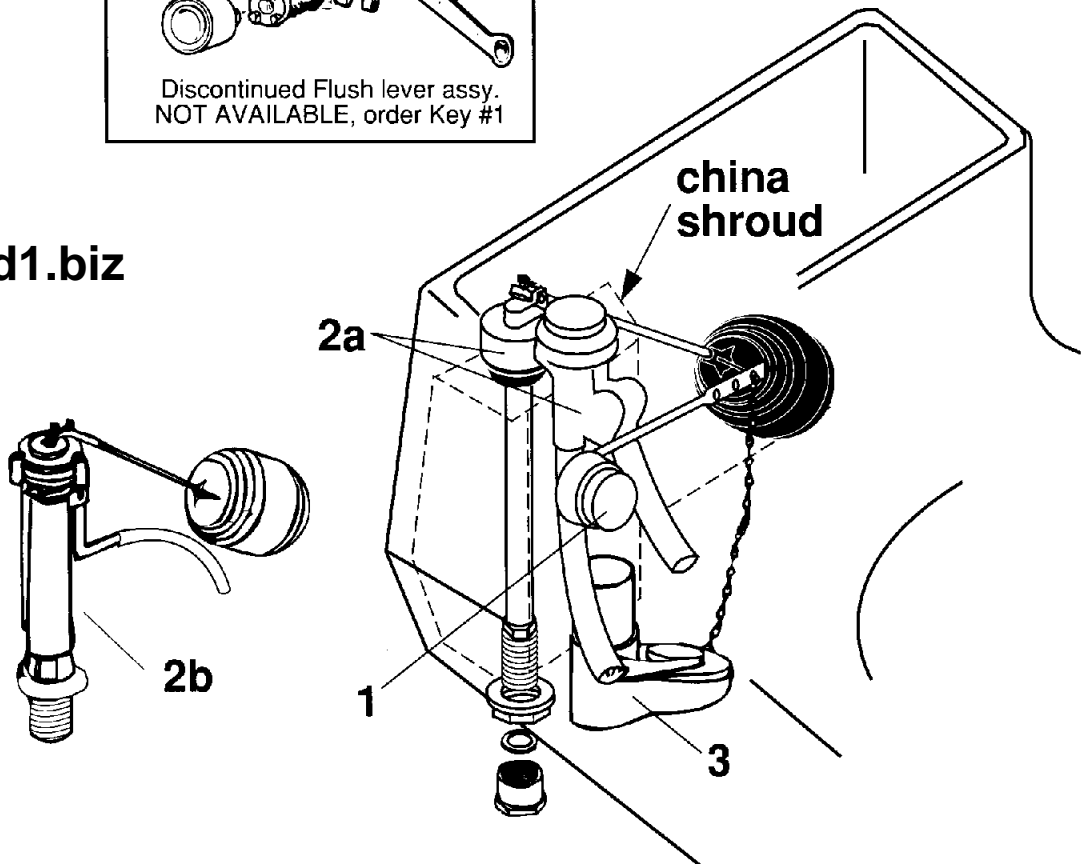
SILETTE
One-Piece Toilet (Discontinued)



Plumbing Parts Depot
610-495-8790



www.ppd1.biz




	DESCRIPTION	PART#	FINISH (if applicable)
1	Push button assembly	495-2695-00	Chrome
2a	Float valve (ballcock) with diverter-less rod and float ball/ for models mfg. before 3/79 with china shroud	495-0230-00	
2b	Float valve(ballcock)-less rod and float ball/ for models mfg. after 3/79 without china shroud	495-0250-00	

	DESCRIPTION	PART#	FINISH (if applicable)
3	Flush valve assembly w/ flapper & chain	495-6039-00	3/4" OF

TSOAT-
USE CASE
1000 OR 1100

495-0250-00



A photograph of a mechanical assembly, possibly a fuel injector or valve, with a red phone number overlaid. The assembly consists of a main body with a handle on the left, a central shaft, and a long, thin rod extending downwards. The handle is a curved, light-colored metal piece. The main body is a complex, cylindrical metal component with various ports and a top cap. The central shaft is a long, thin metal rod. The long, thin rod is a separate component, possibly a needle or a valve stem, with a hexagonal base. The red text "480-0230-00" is centered over the image.

480-0230-00

77E



495-5532-00

