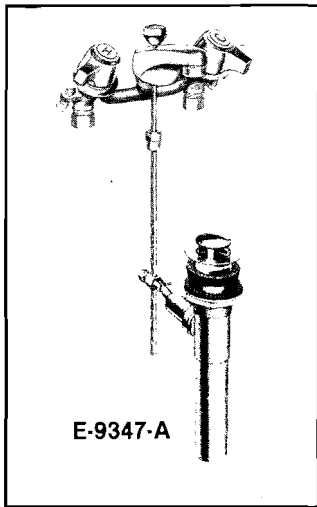
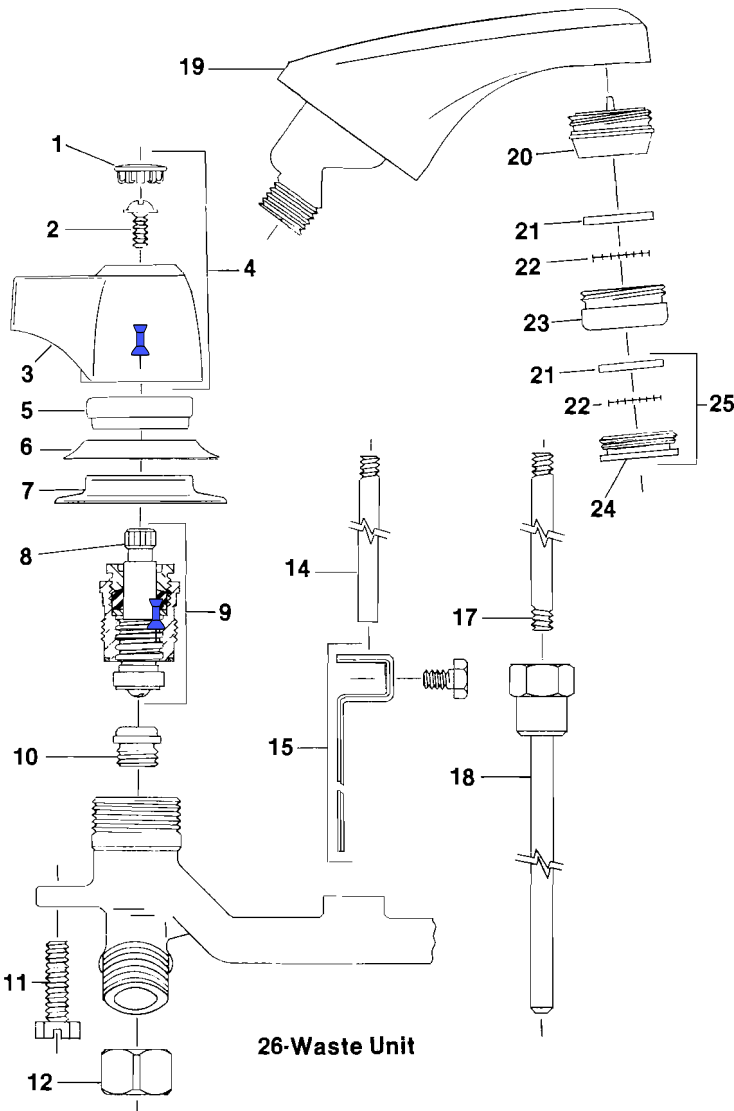
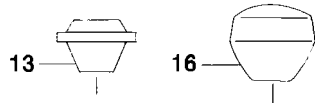


Parts list for fitting numbers: E-9347 (Disc. 3/69)



Plumbing Parts Depot
610-495-8790
www.ppd1.biz



Item No.	Part No.	Description
1A	490-3469-01	Index button "H"
1B	490-3469-02	Index button "C"
2	490-2965-00	Screw
+ *3	490-5864-00	Handle
4A	490-6375-01	Handle assy. "H"
4B	490-6376-02	Handle assy. "C"
5	490-6250-01	Sleeve
6	490-6249-01	Flange
+ *7	490-4636-00	Flange
+ *8A	490-4648-01	Valve stem assy. L.H. (hot valve)
+ *8B	490-4648-02	Valve stem assy. R.H. (cold valve)
8C	490-6541-01	Valve stem assy. L.H. (hot valve)
8D	490-6541-02	Valve stem assy. R.H. (cold valve)
+ *9A	490-4788-01	Valve stem unit L.H. (hot valve)
+ *9B	490-4788-02	Valve stem unit R.H. (cold valve)
9C	490-8051-01	Stem unit L.H. (hot valve)
9D	490-8051-02	Stem unit R.H. (cold valve)
10	490-2734-00	Valve seat
11	490-5668-00	Screw
12	490-1305-00	Coupling nut
+ *13	490-6415-00	Knob
+ *14	490-6254-00	Knob rod
15	490-6398-00	Bracket & screw assy.
+ *16	490-4731-00	Knob
+ *17	490-4919-00	Knob rod
+ *18	490-4117-00	Connecting rod unit
*19A	490-4915-00	Spout
*19B	490-6652-00	Spout assy.
20	490-5669-00	Aerator
21	490-4681-00	Gasket
22	490-4711-00	Screen (2 req'd)
+ *23	490-4710-00	Nozzle
+ *24	490-6490-00	Nozzle
25	490-6292-00	Nozzle assy.
26A	490-5700-00	Waste unit
26B	490-6214-00	Waste unit

For additional information on component parts of units and assemblies or identification of parts, see accessory section.

* = not available.

+ * = not available, see note

Note: 1 — Item 3 specify Item 4A or 4B as req'd.

2 — Item 7 specify Items 5 & 6.

3 — Items 8A & 8B specify 490-2807-01 L.H. or 490-2802-02 R.H. as req'd.

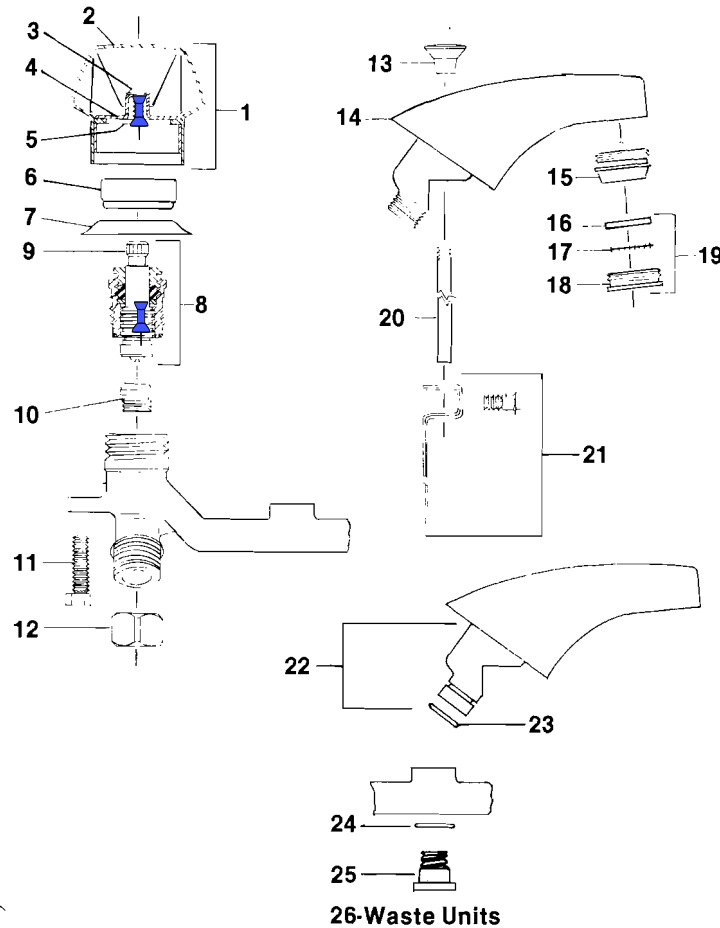
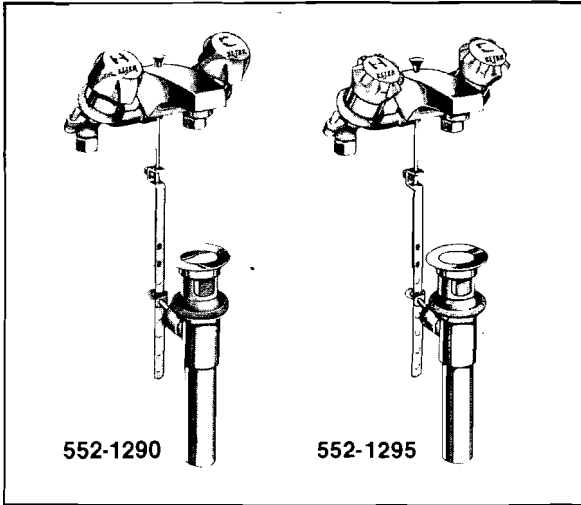
4 — Items 9A & 9B specify 490-8105-01 L.H. or 490-8105-02 R.H. as req'd.

5 — Items 13 & 14 specify 490-6942-00 knob & rod assy.

6 — Items 16, 17 & 18 specify 490-6942-00 & 490-6398-00.

7 — Items 23 & 24 specify Item 25.

Parts list for fitting numbers: 552-1290 552-1296
552-1295 552-1297
(E-9317) (E-9318)



Item No.	Part No.	Description
1A	490-6671-01	Handle assy. "H"
1B	490-6671-02	Handle assy. "C"
1C	490-8096-01	Translucent handle assy. "H" (not shown)
1D	490-8096-02	Translucent handle assy. "C" (not shown)
+*2A	490-6673-01	Handle only "H"
+*2B	490-6673-02	Handle only "C"
3	490-2965-00	Screw
+*4	490-6674-00	Adapter
+*5	490-6675-00	Retainer
6	490-6250-01	Sleeve (2 req'd)
7	490-6249-01	Flange (2 req'd)
8	490-8051-02	Stem unit R.H. Thd. (Hot or Cold)
9	490-2807-04	Valve Stem assy. R.H. Thd.
10	490-2734-00	Valve seat (2 req'd)
11	490-5668-00	Screw (2 req'd)
12	490-1305-00	Coupling Nut (2 req'd)
+*13	490-8259-00	Knob only
*14A	490-8219-00	Spout assy. for pop-up waste Disc. 1/75
*14B	490-8301-00	Spout for Grid Drain Plug Disc. 1/75
15	490-5669-00	Aerator
16	490-4681-00	Gasket
17	490-4711-00	Screen (2 req'd)
+*18	490-6490-00	Nozzle
19	490-6292-00	Nozzle assy.
+*20	490-6254-00	Knob Rod
21	490-6398-00	Bracket & Screw assy.
22	490-7204-00	Spout assy. for pop-up waste (introd. 1/75)
23	490-8399-00	"O" ring
24	490-2866-00	Gasket
25	490-6861-00	Bushing
26A	490-6855-00	Pop-up waste unit (552-1290 & 1295) Disc 12/81
26B	803-0552	Grid drain plug (552-1296 & 1297)
26C	490-8768-00	Pop-up waste assembly includes items 13, 20, and 21. Disc 9/84
26D	490-8905-00	Pop-up waste assembly includes items 13, 20, and 21.

For additional information on component parts of units and assy's. or identification of parts, see accessory section.
* = not available
+* = not available, see note
Note: 1 - Item 13 & 20 specify 490-6942-00
2 - Item 18 specify item 19
3 - Item 2A, 2B, 4 & 5 specify items 1A or 1B