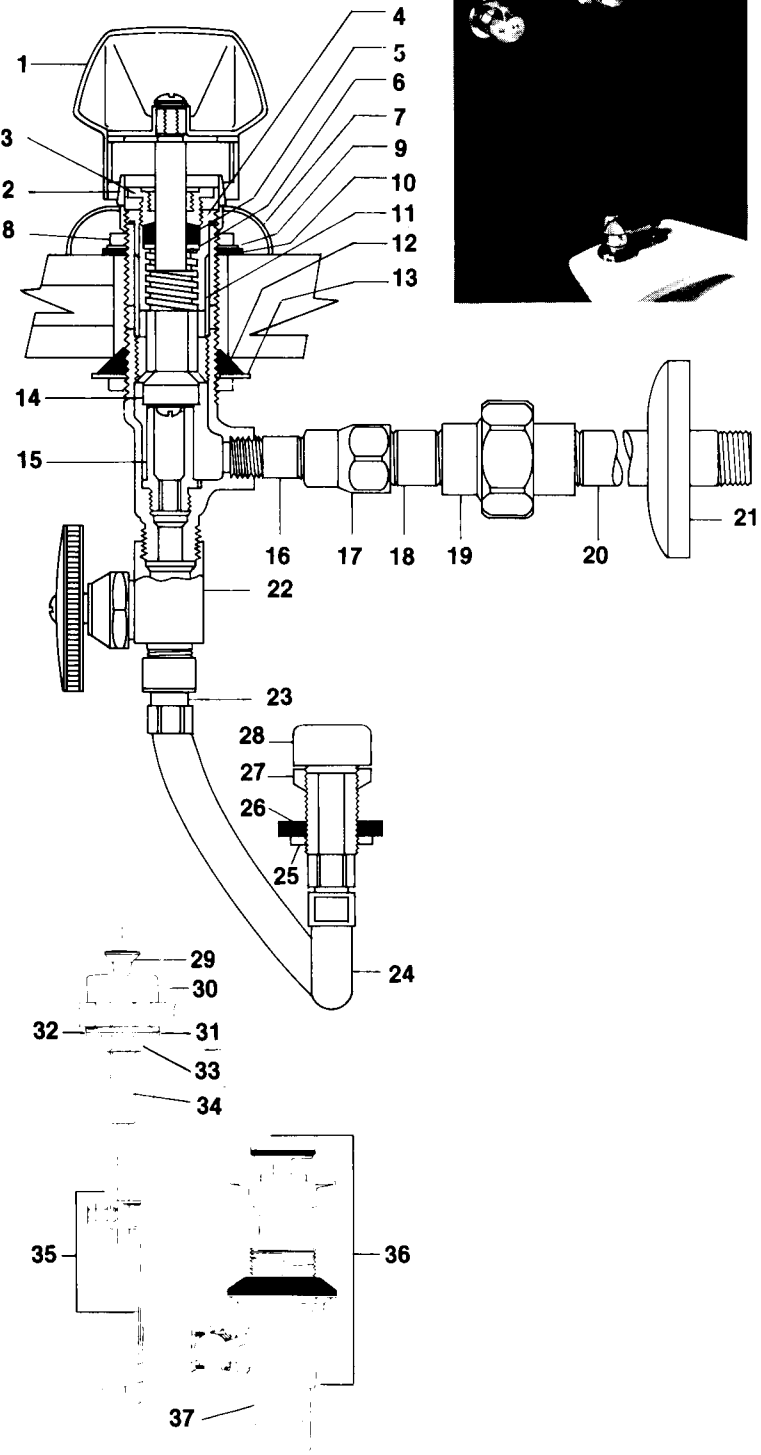
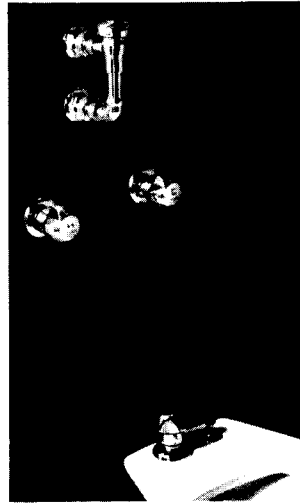


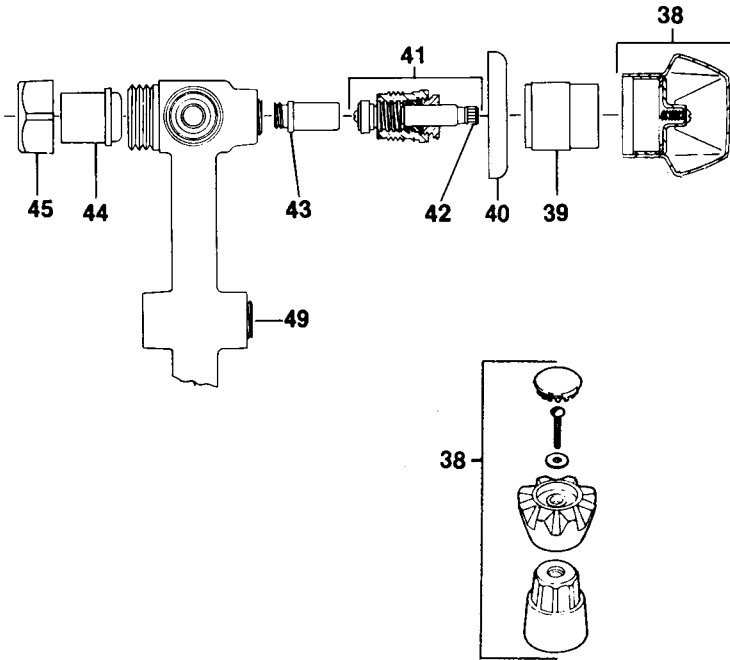
Parts list for fittings number: 602-0115 602-0116



Item No.	Part No.	Description
1A	490-6671-03	Handle assy. (arrow )
1B	490-8096-03	Translucent handle assy. (arrow)
2	490-8014-00	Sleeve
3	490-4633-00	Packing nut
4	490-2737-00	Gasket
5	490-2730-00	Packing
6	490-2731-00	Washer
7	490-8015-00	Escutcheon
8	490-2738-00	Locknut (2 req'd)
9	490-2739-00	Washer
10	490-3072-00	Gasket (2 req'd)
11	490-6258-00	Valve cage
12	490-4362-00	Gasket
13	490-4298-00	Washer
14	490-6789-02	Diverter valve stem assy.
15	490-2924-00	Valve seat
+ * 16	490-2385-00	1/4" LPS nipple 1 1/4" lg.
+ * 17	490-2364-00	Reducer 1/4 x 3/8" IPS
+ * 18	490-1169-01	3/8" IPS nipple 1" lg.
+ * 19	490-2426-00	3/8" IPS union
+ * 20	490-1169-08	3/8" IPS nipple 6" lg.
21	490-4910-00	Flange
22	490-8468-00	3/8" IPS straight stop
23	490-7107-00	Adapter
24	490-7108-00	Hose assy.
25	490-7110-00	Spud
26	490-1016-00	Gasket
27	490-7109-00	Locknut
28	490-5670-00	Aerator
29	490-6942-00	Knob & rod assy.
30	490-1409-00	Flange
31A	490-1952-00	Gasket disc. 6/82
31B	490-7399-00	Gasket
32	490-1027-00	Washer
33	490-1076-00	Locknut
34	490-1075-00	Shank
35	490-6398-00	Bracket & screw assy.
36A	490-6855-00	Waste outlet fitting (see repair part sheet for repair parts.) disc. 12/81
36B	490-8768-00	Pop-up waste assembly (includes items 35, 37 and 490-6942-00 knob & rod assy.) disc. 9/84
36C	490-8905-00	Pop-up waste assy. Includes Item 35, & 37.
37	490-1035-02	1 1/4 O.D. Tailpiece (see note 1)

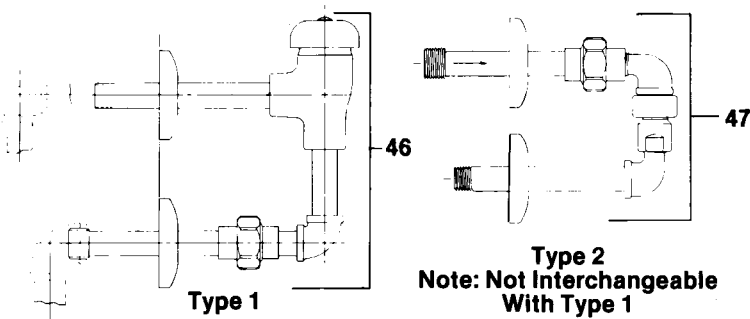
See page BD-A-IB for notes

Parts list for fittings number: 602-0115 602-0116



Item No.	Part No.	Description
38 A	490-6671-01	Handle assy. "H"
38 B	490-6671-02	Handle assy. "C"
38 C	490-8096-01	Translucent handle assy. "H"
38 D	490-8096-02	Translucent handle assy. "C"
39	490-8107-01	Sleeve (reverse for thin wall)
40	490-8106-00	Flange
41 A	490-8056-02	Stem unit RH (hot or cold) (used 4/69-1971)
41 B	490-8051-02	Stem unit RH (hot or cold) (Ultima)
42 A	490-4290-02	Stem assy. RH (used in Item 41A)
42 B	490-6541-02	Stem assy. RH (used in Item 41B)
43 A	490-2924-00	Valve seat (used 4/69 - 1971)
43 B	490-4703-00	Valve seat
44	490-1757-00	Tailpiece (comb IPS & sweat conn.)
45	490-1756-00	Coupling nut
46	490-8001-00	Vacuum breaker assy. (Type 1). Note: furnished prior to 10/68 and after 1970.
* 47	490-8001-00	Vacuum breaker assy. (Type 2) furnished 10/68 to approx. 1972.
48	806-1230-00	Milwaukee code type swivel "P" supplied w/china bidet fixture when specified from Ford City.
49	490-2485-00	Threaded plug

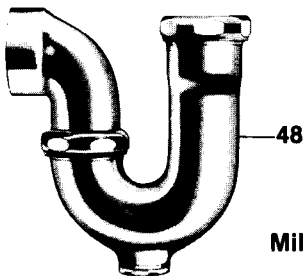
For additional information on component parts of units and assemblies or identification of parts, see accessory section.  
 \* = not available + \* = not available see note  
 Note: 1 — Item 51 — 490-1035-02, 1 1/4" O.D. x 5" lg. tailpiece disc. 12/81.  
 Spec. 490-1035-01 1 1/4" O.D. x 4" lg. tailpiece.  
 2 — Items 20, 21, 22, 23 & 24 specify 490-7308-00



Type 2  
Note: Not Interchangeable With Type 1

### Bidet Swivel "P" Trap

1 1/4 x 1 1/2 IPS  
804-1230-00, 806-1230  
or 806-1232



Milwaukee Code Trap Modified For 1 1/4" S.J. Inlet