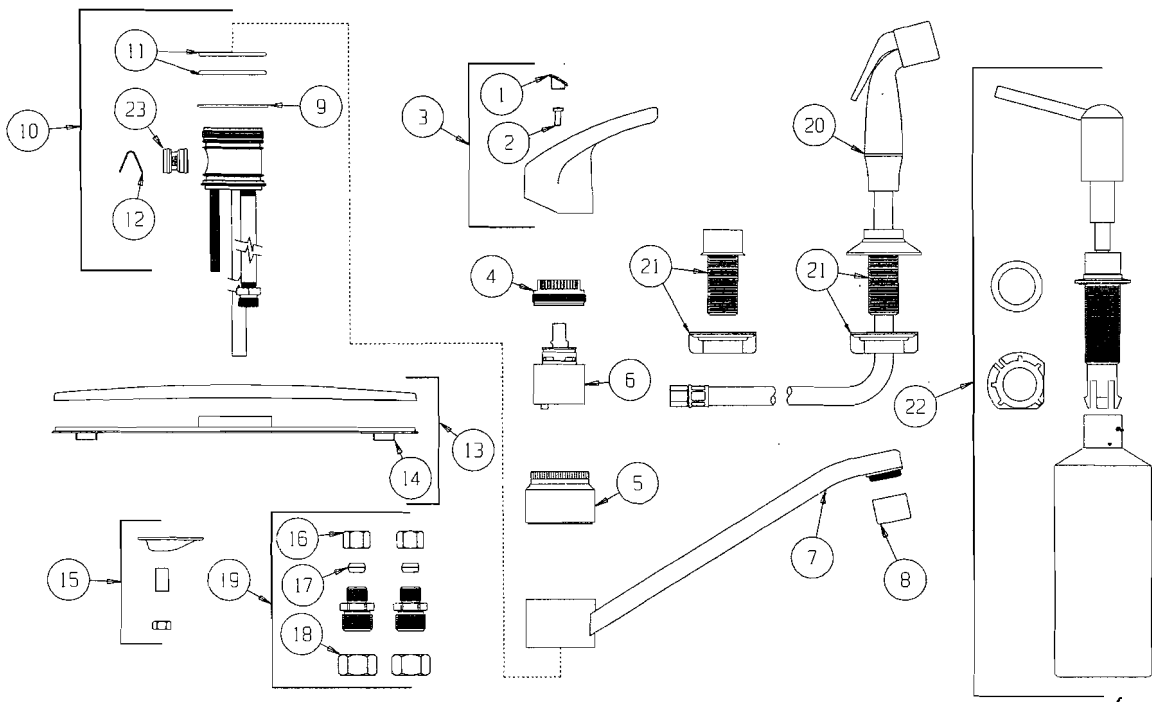


40-100, AL-100, WH-100, 40-103, AL-103, WH-103, 40-300, AL-300, WH-300,
40-303, AL-303, WH-303, 40-400, AL-400, WH-400, 40-403, AL-403, WH-403
Prefixes: None Suffixes: 16, 45, 46, 50, 67, 68, 69

ITEM NO.	DESCRIPTION	UN-FINISHED	CHROME	BISCUIT	WHITE
1	HANDLE BUTTON	92-276			
2	HANDLE SCREW	92-277			
3	HANDLE ASSEMBLY		98-510	A8-510	W8-510
4	NUT	93-327			
5	CAP		93-331	A3-331	W3-331
6	CERAMIC CARTRIDGE W/BOTTOM SEAL & TEMP. LIMIT	92-298			
7	SPOUT		93-372	A3-372	W3-372
8	AERATOR		93-316	A3-316	W3-316
9	FRICTION RING	93-320			
10	O-RINGS & DIVERTER/CLIP S/A	98-513			
11	SPOUT O-RING	93-321			
12	SPRING CLIP	90-119			
13	DECK PLATE & PUTTY PLATE		98-502	A8-502	W8-502
	DECK PLATE & PUTTY PLATE (MADE FOR SPRAY OR DISPENSER)		98-503	A8-503	W8-503
	DECK PLATE & PUTTY PLATE (MADE FOR SPRAY & DISPENSER)		98-504	A8-504	W8-504
14	PUTTY PLATE	93-338			
15	MOUNTING KIT S/A	98-509			
16	FERRULE NUT	91-009			
17	FERRULE	91-003			
18	SUPPLY NUTS (QTY 2)	97-819			
19	COMPRESSION TO IPS ADAPTER KIT S/A	98-514			
20	SPRAY & HOSE		94-111	A4-111	W4-111
21	BLACK HOSE GUIDE & NUT W/FLANGE		98-360		
	WHITE HOSE GUIDE & NUT W/FLANGE		98-361	A8-361	W8-361
	BISCUIT HOSE GUIDE & NUT W/FLANGE		98-362		
	HOSE GUIDE & NUT L/FLANGE		93-347	A9-011	W9-011
22	DISPENSER		93-375	A3-375	W3-375
23	SPRAY DIVERTER	93-371			



See the Index for a Description of Prefixes & Suffixes