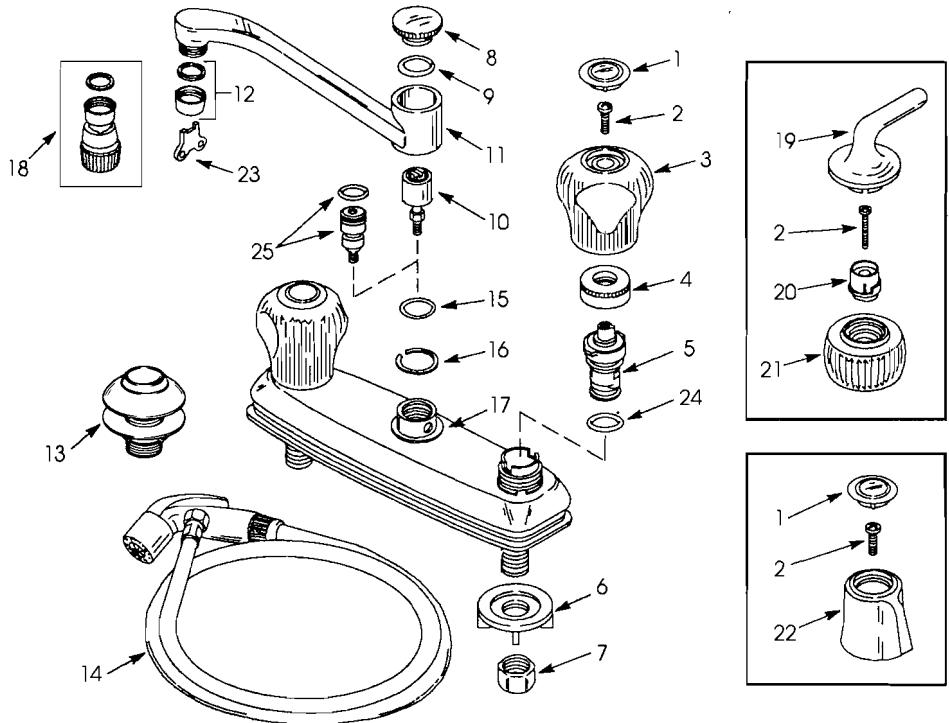


K-15251 CORALAIS™ SINK FAUCET

ORDER BY KIT NUMBER OR PART NUMBER, NOT ITEM NUMBER OR KIT LETTER.

**Ordering Options**

Item	Part No. or Kit
1	A or B
2	70047
3	73238
4	70008‡
5	C or D
6	40080
7	32751
8	70046‡
9	34300
10	30054
11	E or F
12	G or H or I
13	40132‡
14	20816
15	29464
16	70040
17	70039
18	30456‡
19	70302‡
20	70307
21	J
22	70508‡
23	21999
24	70221
25	29682, K



**Kit Ordering Information**

Kit	Kit Part No.	Kit Name	Kit Contents
A	70207	Plug Button (Cold)	1 ea., item 1
B	70208	Plug Button (Hot)	1 ea., item 1
C	70127	Valve (Closes Clockwise)	1 ea., item 5
D	70415	Valve (Closes Counterclockwise)	1 ea., item 5
E	70416‡	8" Spout w/Aerator	1 ea., items 11 and 12
F	70555‡	10" Spout w/o Aerator	1 ea., item 11
G	30072‡	Aerator (Male)	1 ea., item 12
H	40106‡	Aerator (Female)	1 ea., item 12
I	500476‡	Aerator (Female-Vandal Resistant)	1 ea., item 12
J	70306**	Skirt (Clear)	1 ea., item 21
K	52393	Diverter Kit	1 ea., items 10 and 25 *

**KITS MAY INCLUDE EXTRA PARTS**

**NOTES**

Other product numbers using same parts:  
K-15252, K-15253, K-15254, K-15257, K-15651, K-15653.  
\*\*Also available in colored and wood finishes. Refer to Design Manual.

**LEGEND**

‡ Specify finish.

# KOHLER<sup>®</sup> SERVICE PARTS

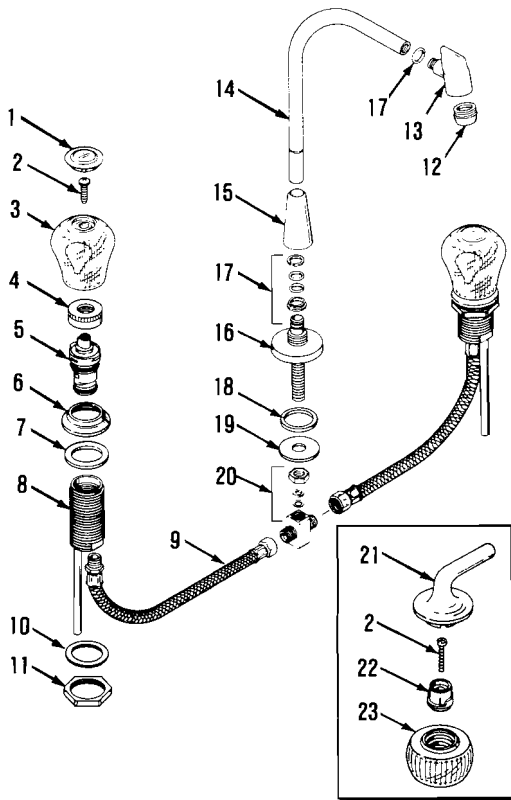
Plumbing Parts Depot  
610-495-8790  
www.ppd1.biz

SINK FITTINGS

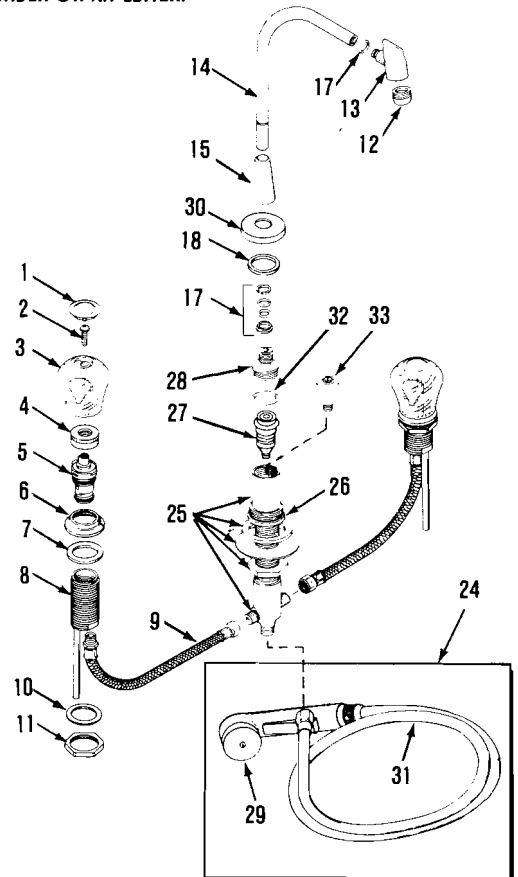
**K-15255** CORALAIS MULTI-SWIVEL SINK FAUCET  
**K-15256** CORALAIS MULTI-SWIVEL SINK FAUCET

**K-15258** CORALAIS MULTI-SWIVEL SINK FAUCET WITH SPRAY  
**K-15259** CORALAIS MULTI-SWIVEL SINK FAUCET WITH SPRAY

ORDER BY KIT NUMBER OR PART NUMBER, NOT ITEM NUMBER OR KIT LETTER.



Item	Part No. or Kit
1	A, C
2	B, C, M
3	C
4	D
5	E or P
6	F
7	G
8	70436
9	H
10, 11	I
12	30072‡, J
13	500437‡, J or K
14, 15	J or K
16	J
17	J, K
18, 19, 20	L
21	M
22	M, N
23	M, O or Q
24	41310‡
25	R
26	41550, R
27	S
28	U
29	41325‡
30	V
31	38614
32	34300, S
33	T



### Kit Ordering Information

Kit	Kit Part No.	Kit Name	Kit Contents
A	70275	Plug Buttons	1 ea. Hot, 1 ea. Cold; item 1
B	70276	Screws	2 ea., item 2
C	70244	Handles	1 ea. Hot, 1 ea. Cold; items 1, 2 and 3
D	70430‡	Bonnets	2 ea., item 4
E	70127	Valve Assembly (Closes Clockwise)	1 ea., item 5
F	70421‡	Escutcheons	2 ea., item 6
G	70435	Washers	2 ea., item 7
H	30233	Hoses	2 ea., item 9
I	30332	Mounting Hardware	2 ea., items 10 and 11
J	500442‡	Base Kit	1 ea., items 12 thru 17
K	30606‡	Spout (Spray Multi-Swivel)	1 ea., items 13, 14, 15 and 17
L	40221	Tee Assembly	1 ea., items 18, 19, and 20
M	70457‡	Lever Handle (w/Plastic Skirt)	1 ea., items 2, 21, 22 and 23
N	70455	Adapters	2 ea., item 22
O	70456	Plastic Handle Skirts	2 ea., item 23
P	70415	Valve Assembly (Closes Counterclockwise)	1 ea., item 5
Q	K-15299*	Wood Handle Skirts	2 ea., item 23
R	500443	Base Kit	1 ea., item 25
S	52393	Diverter (w/O-Ring)	1 ea., items 27 and 32
T	30020	Diverter	1 ea., item 27
U	30657	Spout Post	1 ea., item 28
V	30605‡	Spout Escutcheon	1 ea., item 30

KITS MAY INCLUDE EXTRA PARTS

#### NOTES:

\* Not available as a service part, order from Design Manual.

#### LEGEND:

‡ Specify finish.