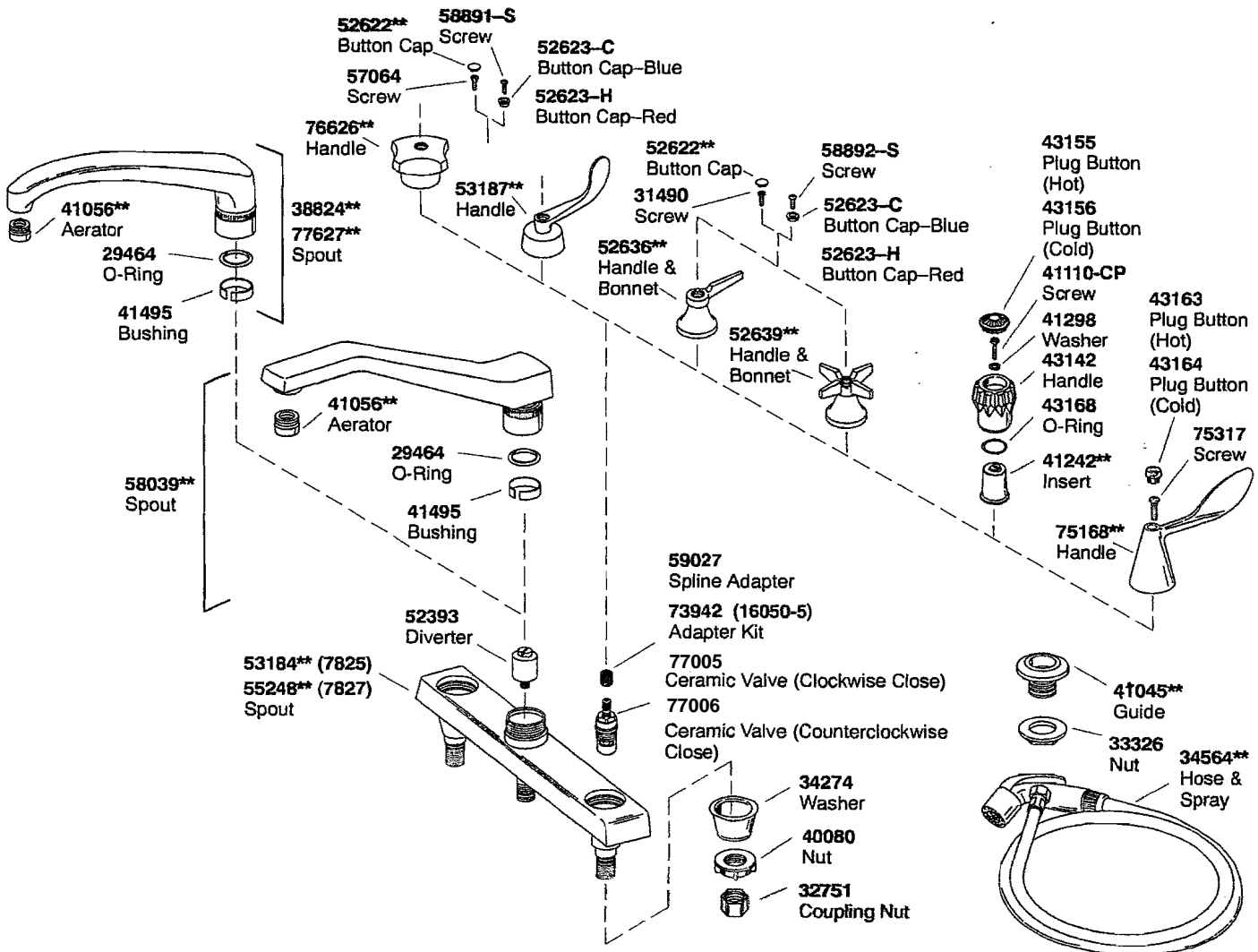


K#	Base Faucet (Less Handles)	Spray	Triton Standard Handle	Triton Cross Handle	Triton Lever Handle	Triton Wristblade Handle	Flair Acrylic Handle	Finesse Handle
K-7825-K-**-AA/BA	X							
K-7826-**-AA	X							
K-7827-K-**-AA/BA	X	X						
K-7832-**-AA	X	X						
K-16010-2-CP-AA			X					
K-16010-3-CP-AA				X				
K-16010-4-CP-AA					X			
K-16010-5-CP-AA						X		
K-16030-7-**-AA							X	
K-16050-5-**-AA								X



**Finish/color code must be specified when ordering.

K-7776-DB
K-13580

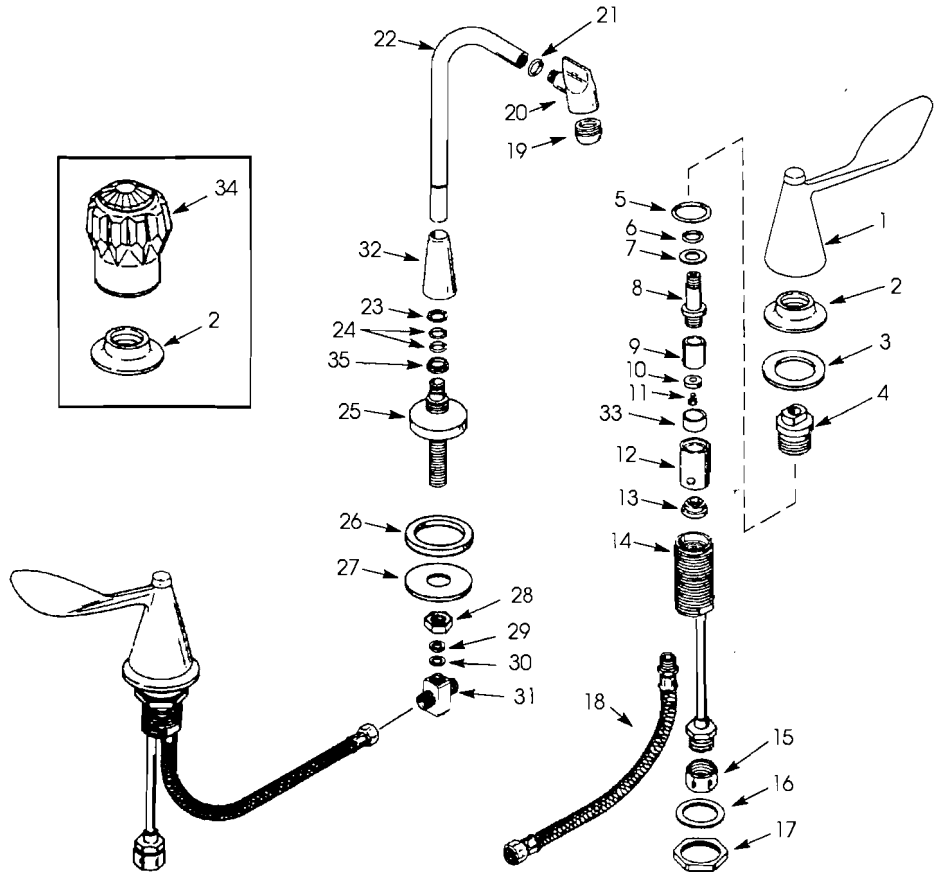
FLAIR II
FINESSE

MULTI-SWIVEL SINK FITTING
MULTI-SWIVEL SINK FITTING

ORDER BY KIT NUMBER OR PART NUMBER, NOT ITEM NUMBER OR KIT LETTER.

Ordering Options

Item	Part No. or Kit
1	A
2	40000 ‡
3	34037
4	40002
5	34264
6	34263
7	34265
8	B or C
9	D or E
10	20961
11	34848
12	34842
13	35119
14	40004
15	32751
16	40001
17	40005
18	40008
19	41056 ‡
20	40225 ‡
21	33993, G
22	40272
23	40274, G
24	42045, G
25	40204
26	41550
27	40203
28	40201
29	40097
30	40013
31	40098
32	40275 ‡
33	29558
34	F
35	40271, G



Kit Ordering Information

Kit	Kit Part No.	Kit Name	Kit Contents
A	106730 § ■	Wrist Control Handle Options	See INDEX.
B	34320	Valve Stem (Left Hand)	1 ea., item 8
C	34319	Valve Stem (Right Hand)	1 ea., item 8
D	34862	Plunger (Left Hand)	1 ea., item 9
E	34844	Plunger (Right Hand)	1 ea., item 9
F	106299 § ■	Flair Handle Options	See INDEX.
G	30407	Spout Service Kit	1 ea., items 21, 23, and 35; 2 ea., item 24

KITS MAY INCLUDE EXTRA PARTS

NOTES

LEGEND

- ‡ Specify finish.
- § Reference number only.
- Parts further exploded in catalog; see INDEX.
- Shading indicates product discontinued.

KOHLER® SERVICE PARTS

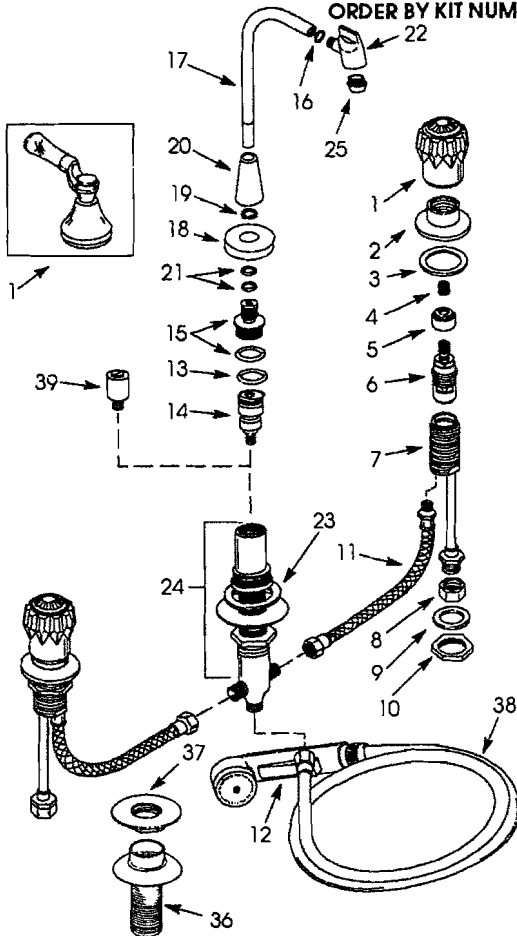
Plumbing Parts Depot
610-495-8790
www.ppd1.biz

SINK FITTINGS

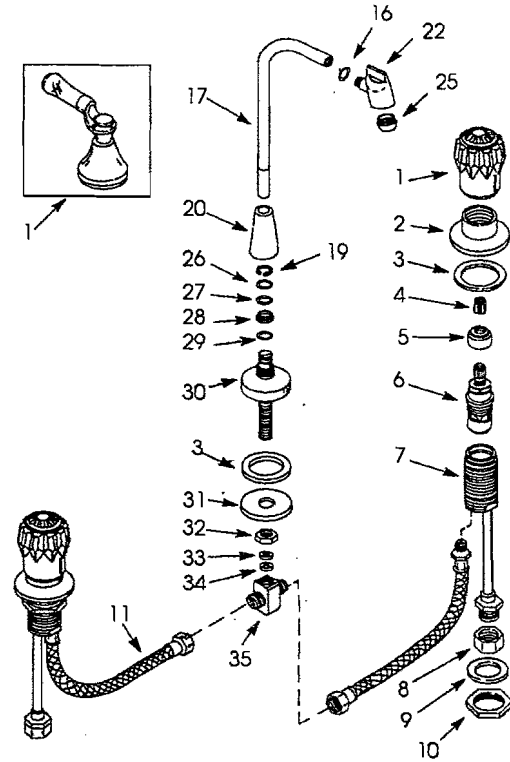
K-7779-FCV FLAIR II MULTI-SWIVEL SINK FAUCET W/SPRAY
K-7779-8A FLAIR LEVER MULTI-SWIVEL SINK FAUCET W/SPRAY

K-7776-FCV FLAIR II MULTI-SWIVEL SINK FAUCET
K-7776-8A FLAIR LEVER MULTI-SWIVEL SINK FAUCET

ORDER BY KIT NUMBER OR PART NUMBER, NOT ITEM NUMBER OR KIT LETTER.



Item	Part No. or Kit
1	A
2	B
3	41550
4	C
5	500253
6	D or E
7	*
8	N, F
9, 10	F
11	G
12	41325±, O
13	29682
14	H or I
15	J
16	33993, K
17	K
18	30605
19	40274, L
20	40275, L
21	42045, L
22	40214±
23	41550
24	M
25	41056±
26, 27	42045
28	40271
29	32725
30	500442
31	40203
32	40201
33	40013
34	40097
35	40098
36	41045±
37	33326
38	38614, O
39	I



Kit Ordering Information

Kit	Kit Part No.	Kit Name	Kit Contents
A	106299§	Flair II Handle Options	See INDEX.
B	30077±	Escutcheon Kit	1 ea., item 2
C	48502	Spline Adapter Kit	2 ea., item 4
D	77005	Ceramic Valve (Closes Clockwise)	1 ea., item 6
E	77006	Ceramic Valve (Closes Counterclockwise)	1 ea., item 6
F	30332	Mounting Hardware	1 ea., items 8, 9, and 10
G	30233	Flexible Hoses	2 ea., item 11
H	52393	Diverter Kit	1 ea., items 13 and 14
I	30020	Diverter	1 ea., item 39
J	30657	Spout Post	1 ea., item 15
K	30407	Spout Service Kit	1 ea., items 16 and 17
L	30606	Spout Assembly	1 ea., items 19 thru 21
M	500443±	Base Kit	1 ea., item 24
N	30230	Coupling Nut Kit	2 ea., item 8
O	41310±	Hoses Spray	1 ea., items 12 and 38

KITS MAY INCLUDE EXTRA PARTS

NOTES
* Not available as a service part.

LEGEND
± Specify finish.
§ Reference number only.
■ Parts further exploded in catalog; see INDEX.