

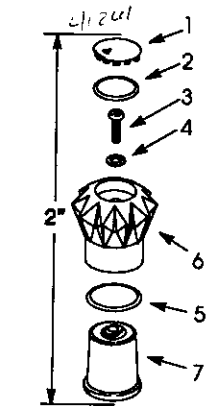
106299\$ FLAIR, FLAIR II, FLAIR LEVER HANDLE OPTIONS\*

*FLAIR II buttons - 5/11/23/1*

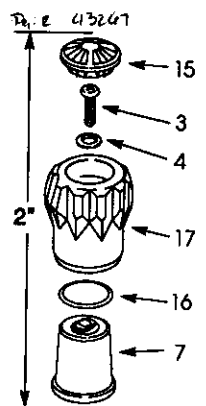
ORDER BY KIT NUMBER OR PART NUMBER, NOT ITEM NUMBER OR KIT LETTER.

#### Ordering Options

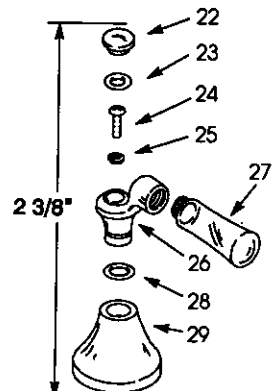
Item	Part No. or Kit
1	41243‡
2	41376
3	41110
4	41298
5	41364
6	A or B or C or D
7	41242‡
8	E or F
9	41375
10	21634
11	41360
12	G or H or I or J
13	41240‡
14	43147
15	K or L
16	43168
17	43142
18	52663‡
19	21634
20	43167
21	43146
22	50351‡
23	33993
24	64453
25	37793
26	50347‡
27	50349‡
28	42045
29	50344‡
30	33993
31	61439
32	50348‡
33	38820
34	50346‡



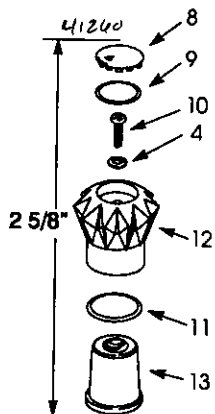
SMALL FLAIR HANDLE



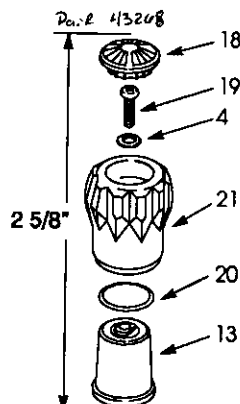
SMALL FLAIR II HANDLE



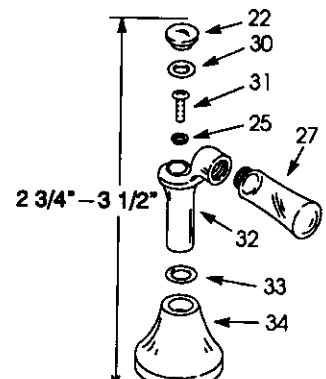
SMALL FLAIR LEVER HANDLE



LARGE FLAIR HANDLE



LARGE FLAIR II HANDLE



LARGE FLAIR LEVER HANDLE

610-495-8790

www.ppd1.biz

#### NOTES:

\* Flair, Flair II, and Flair Lever are not interchangeable on all valve bodies.

#### LEGEND:

‡ Specify finish and index.  
§ Reference number only.

OVER

# KOHLER® SERVICE PARTS

LAVATORY FITTINGS

K-7439-DB  
K-13340  
F

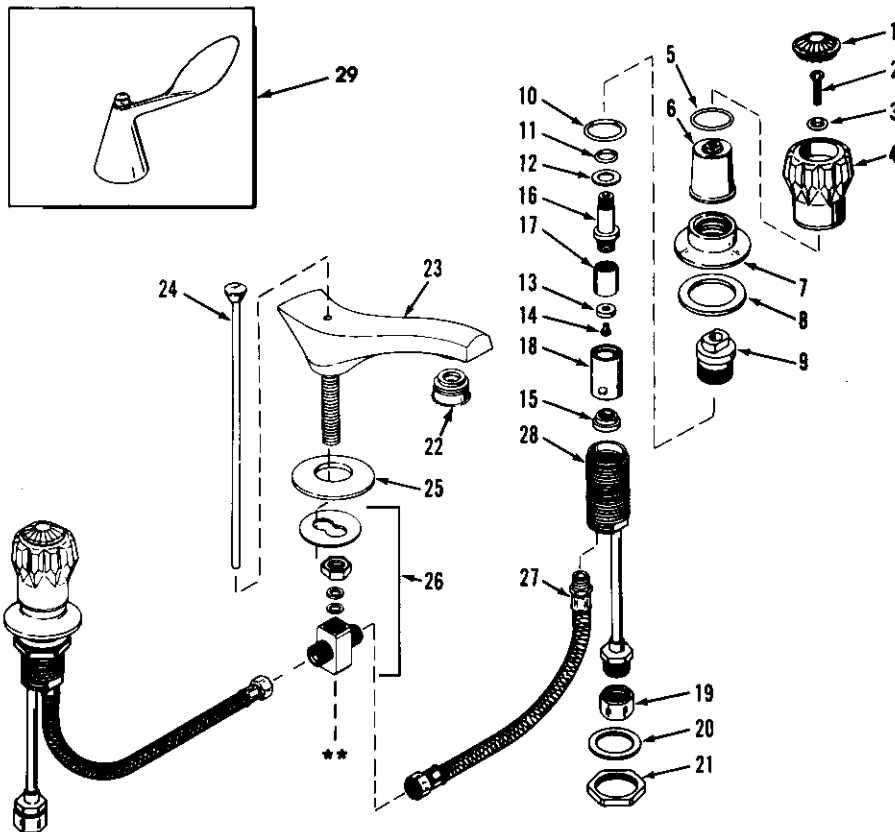
FLAIR II  
FINESSE

WIDESPREAD LAVATORY FITTING  
WIDESPREAD LAVATORY FITTING  
WITH FLEXIBLE CONNECTIONS

ORDER BY KIT NUMBER OR PART NUMBER, NOT ITEM NUMBER OR KIT LETTER.

### Ordering Options

Item	Part No. or Kit
1 thru 6	G
7	B
8	34037
9	20475
10 thru 15	A, C, I, J
16, 17, 18	C or I or J
19, 20, 21	D
22	30072†
23	*
24	51196‡
25	40175‡
26	E
27	F
28	40004
29	H



### Kit Ordering Information

Kit	Kit Part No.	Kit Name	Kit Contents
A	30294	Valve Rebuilding	2 ea., items 10 thru 15
B	30077†	Escutcheon	2 ea., item 7
C	30002	Valve Replacement	1 ea., items 10 thru 18
D	30332	Attachment S.A.	2 ea., items 19, 20, and 21
E	40036	Tee Assembly	1 ea., item 26
F	30233	Flexible Hose	2 ea., item 27
G	1062996■	Flair, Flair II Handle Options	See INDEX.
H	1067306■	Wrist Control Handle Options	See INDEX.
I	30134	Valve Replacement (Closes Counterclockwise, Finesse)	1 ea., items 10 thru 18
J	30135	Valve Replacement (Closes Clockwise, Finesse)	1 ea., items 10 thru 18

Plumbing Parts Depot

610-495-8790 www.ppd1.biz

KITS MAY INCLUDE EXTRA PARTS

#### NOTES:

- \* Not available as a service part.
- \*\* For pop-up drain, see Page 2-35.

#### LEGEND:

- † Specify finish.
- ‡ Reference number only.
- Parts further exploded in catalog; see INDEX.
- Shading indicates product discontinued.