

KOHLER

SERVICE PARTS

Plumbing Parts Depot
610-495-8790
www.ppd1.biz

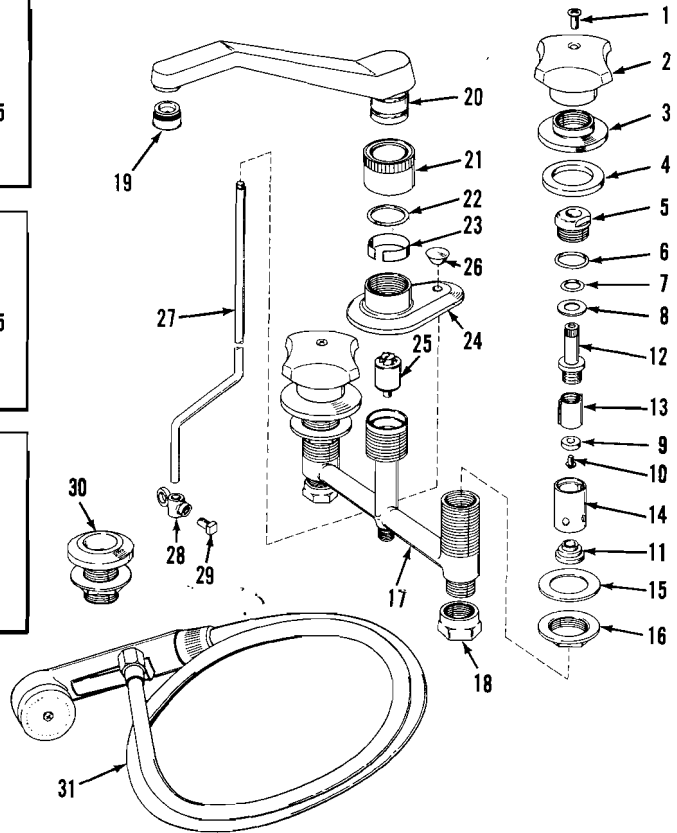
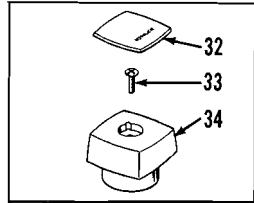
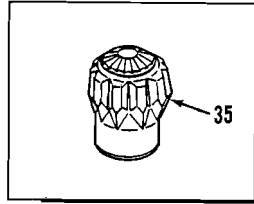
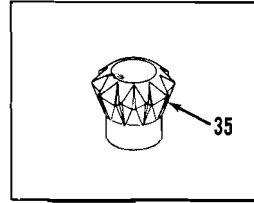
LAVATORY FITTINGS

| | | |
|-------------------|-----------|------------------------------|
| K-6956 | ALTERNA | LADY VANITY LAVATORY FITTING |
| K-7449-FL§ | FLAIR | LADY VANITY LAVATORY FITTING |
| K-7449-DB | FLAIR II | LADY VANITY LAVATORY FITTING |
| K-7449-T | TRITON II | LADY VANITY LAVATORY FITTING |

ORDER BY KIT NUMBER OR PART NUMBER, NOT ITEM NUMBER OR KIT LETTER.

Ordering Options

| Item | Part No. or Kit |
|------------|-----------------|
| 1 | B |
| 2 | C |
| 3 | D |
| 4 | 39924 |
| 5 | 20475 |
| 6 thru 11 | A, E |
| 12, 13, 14 | E |
| 15, 16 | F |
| 17 | * |
| 18 | G |
| 19 | 41056‡, M |
| 20, 21 | M |
| 22 | 29464, M |
| 23 | 41495, M |
| 24 | 41309‡ |
| 25 | 43262 |
| 26 | H or I |
| 27 | 41315‡ |
| 28, 29 | J |
| 30 | 34329 |
| 31 | 41310‡ |
| 32 | K |
| 33 | L |
| 34 | 29717‡ |
| 35 | N |



Kit Ordering Information

| Kit | Kit Part No. | Kit Name | Kit Contents |
|-----|--------------|---|-------------------------------|
| A | 30294 | Valve Rebuilding | 2 ea., items 6 thru 11 |
| B | 30097‡ | Screw | 2 ea., item 1 |
| C | 30024‡ | Triton II Handle | 1 ea. Hot, 1 ea. Cold; item 2 |
| D | 30083‡ | Escutcheon | 2 ea., item 3 |
| E | 30002 | Valve Replacement | 1 ea., items 6 thru 14 |
| F | 30234‡ | Attachment | 2 ea., items 15 and 16 |
| G | 30230‡ | Coupling Nut | 2 ea., item 18 |
| H | 35764‡ | Lift Knob (Triton, Flair, Flair II Round) | 1 ea., item 26 |
| I | 29700 | Lift Knob (Alterna Square) | 1 ea., item 26 |
| J | 30235 | Link S.A. | 1 ea., items 28 and 29 |
| K | 29746 | Index Cap | 4 pr. of 4 finishes; item 32 |
| L | 30105‡ | Screw | 2 ea., item 33 |
| M | 41308‡ | Spout Nut S.A. | 1 ea., items 19 thru 23 |
| N | 106299§■ | Flair, Flair II Handle Options | See INDEX. |

KITS MAY INCLUDE EXTRA PARTS

NOTES:

* Not available as a service part.
For pop-up drain, see Page 2-35.

LEGEND:

‡ Specify finish.
§ Reference Number Only.
□ Shading indicates product discontinued.
■ Parts further exploded within catalog; see INDEX.

KOHLER

SERVICE PARTS

Plumbing Parts Depot
610-495-8790
www.ppd1.biz

LAVATORY FITTINGS

K-6962

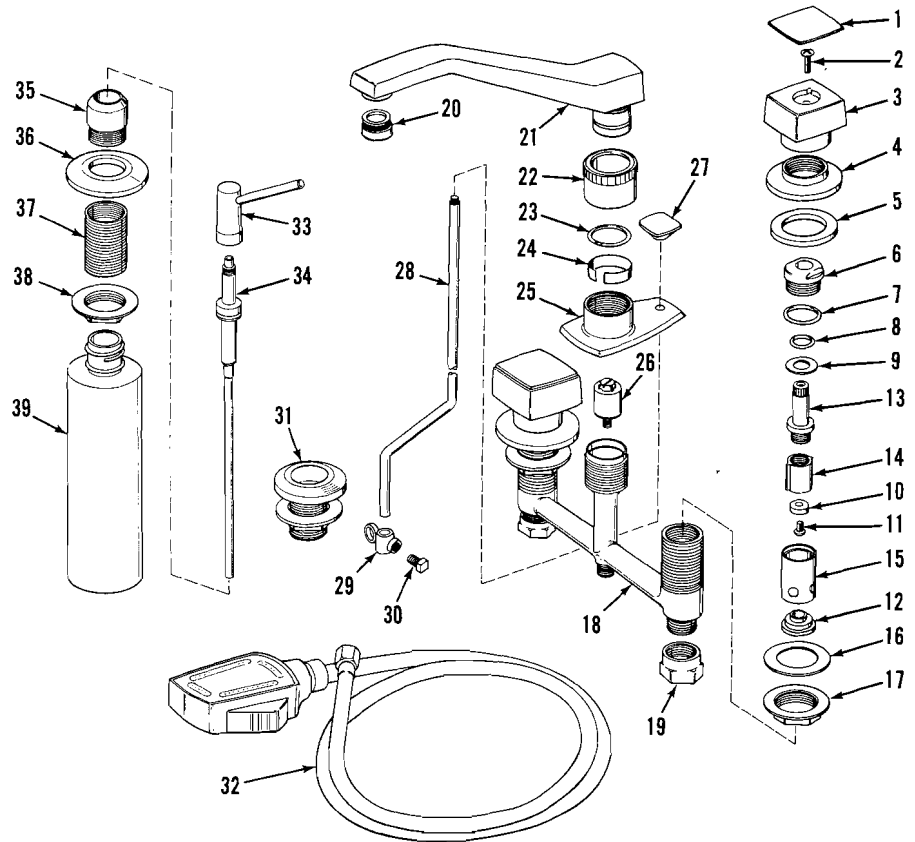
ALTERNA

SHAMPOO LAVATORY FITTING
(MAN'S LAV WITH K-9610 SOAP/LOTION DISPENSER)

ORDER BY KIT NUMBER OR PART NUMBER, NOT ITEM NUMBER OR KIT LETTER.

Ordering Options

| Item | Part No. or Kit |
|------------|-----------------|
| 1 | B |
| 2 | C |
| 3 | 29717‡ |
| 4 | D |
| 5 | 39924 |
| 6 | 20475 |
| 7 thru 12 | A, E |
| 13, 14, 15 | E |
| 16, 17 | F |
| 18 | * |
| 19 | G |
| 20 | 41056, J |
| 21, 22 | J |
| 23 | 29464, J |
| 24 | 41495, J |
| 25 | 41309‡ |
| 26 | 43262 |
| 27 | 29700‡ |
| 28 | 41345‡ |
| 29, 30 | H |
| 31 | 34329‡ |
| 32 | 41379‡ |
| 33 | 41385‡ |
| 34 | 41382‡ |
| 35 thru 38 | I |
| 39 | 41381 |



Kit Ordering Information

| Kit | Kit Part No. | Kit Name | Kit Contents |
|-----|--------------|-------------------|-----------------------------|
| A | 30294 | Valve Rebuilding | 2 ea., items 7 thru 12 |
| B | 29746 | Index Caps | 4 pr. of 4 finishes; Item 1 |
| C | 30105‡ | Screw | 2 ea., item 2 |
| D | 30083‡ | Escutcheon | 2 ea., item 4 |
| E | 30002 | Valve Replacement | 1 ea., items 7 thru 15 |
| F | 30234 | Attachment S.A. | 2 ea., items 16 and 17 |
| G | 30230‡ | Coupling Nut | 2 ea., item 19 |
| H | 30235 | Link S.A. | 1 ea., items 29 and 30 |
| I | 30236‡ | Attachment S.A. | 1 ea., items 35 thru 38 |
| J | 41308‡ | Spout S.A. | 1 ea., items 20 thru 24 |

KITS MAY INCLUDE EXTRA PARTS

NOTES:

* Not available as a service part.
For pop-up drain see page 2-35.

LEGEND:

‡ Specify finish.