

KOHLER

SERVICE PARTS

Plumbing Parts Depot
610-495-8790
www.ppd1.biz

LAVATORY FITTINGS

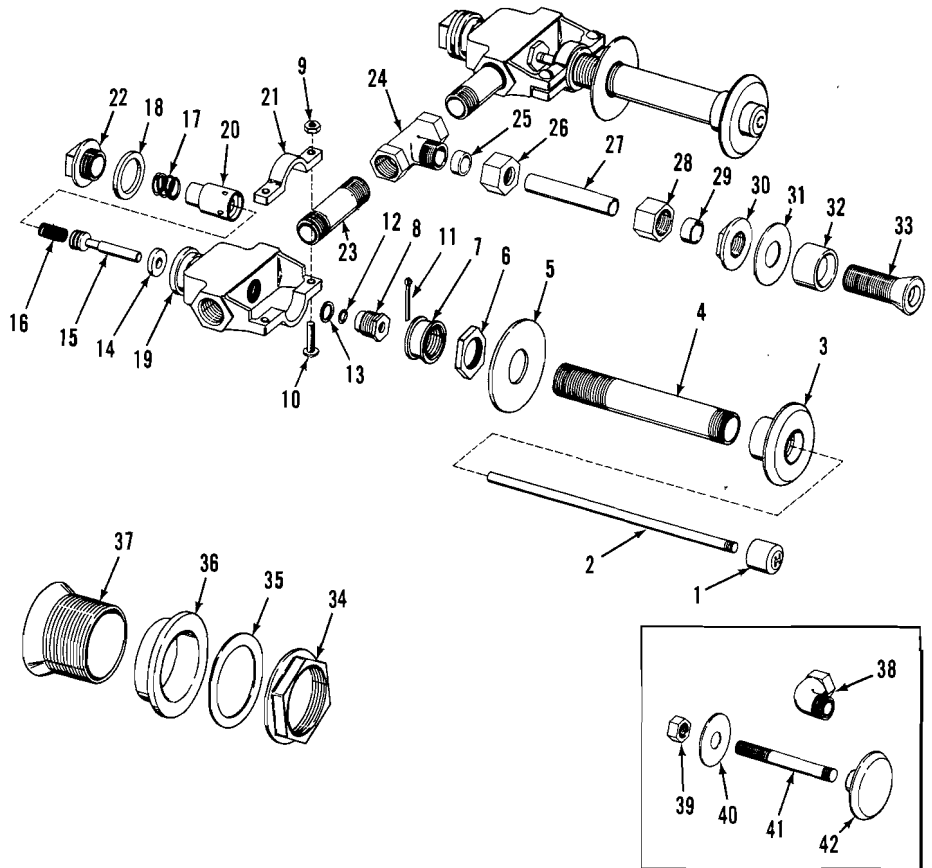
K-7482
K-7483

PRISON LAVATORY FITTING FOR K-2475
PRISON LAVATORY FITTING FOR K-2465

ORDER BY KIT NUMBER OR PART NUMBER, NOT ITEM NUMBER OR KIT LETTER.

Ordering Options

Item	Part No. or Kit
1	B
2	32601*
3	C
4	32602*
5, 6	D
7	E
8, 9, 10	E, F
11	28518
12 thru 18	A, F
19 thru 22	F
23	32588
24	32600
25, 26	G
27	32599*
28, 29	G
30 thru 33	H
34 thru 37	I
38	35615
39 thru 42	J



Kit Ordering Information

Kit	Kit Part No.	Kit Name	Kit Contents
A	30132	Valve Rebuilding	2 ea., items 12 thru 18
B	30032‡	Push Button	1 ea. Hot, 1 ea. Cold; item 1
C	30091‡	Escutcheon	2 ea., item 3
D	30244	Attachment	2 ea., items 5 and 6
E	30246	Nut S.A.	1 ea., items 7 and 8; 11 thru 22; 2 ea., items 9 and 10
F	31739	Complete End Body	2 ea., items 9 and 10
G	30245	Ferrule S.A.	1 ea., items 25 or 29; 26 or 28
H	31686**	Spud Assembly	1 ea., items 30 thru 33
I	18357**	Spud Assembly	1 ea., items 34 thru 37
J	32639‡	Supporting Bolt	1 ea., items 39 thru 42

KITS MAY INCLUDE EXTRA PARTS

NOTES:

- * Specify length.
- ** Not included with fittings.

LEGEND:

- ‡ Specify finish.