

SERVICE PARTS

LAVATORY FITTINGS

www.ppd1.biz

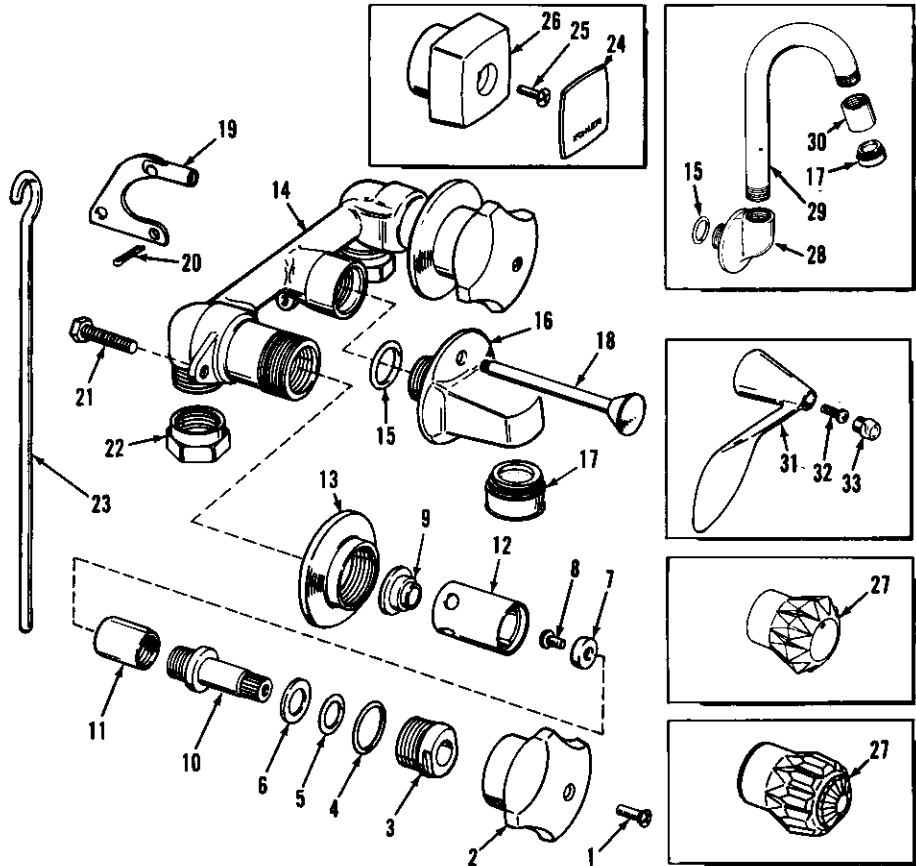
K-6971 ALTERNA
 K-8040-FL§ FLAIR
 K-8040-T TRITON II
 K-8040-DB FLAIR II
 K-13322 FINESSE

SHELF-BACK LAVATORY FITTING
 SHELF-BACK LAVATORY FITTING
 SHELF-BACK LAVATORY FITTING
 SHELF-BACK LAVATORY FITTING
 SHELF-BACK LAVATORY FITTING

ORDER BY KIT NUMBER OR PART NUMBER, NOT ITEM NUMBER OR KIT LETTER.

Ordering Options

Item	Part No. or Kit
1	B
2	C
3	20475
4 thru 9	A, D
10, 11, 12	D
13	E
14	.
15	40933, K, N
16	K
17	41007‡, K, N
18	34349‡
19	34898
20	33799
21	J
22	F
23	51198
24	G
25	H
26	29717‡
27	I
28, 29, 30	N
31	O
32	P
33	Q



Kit Ordering Information

Kit	Kit Part No.	Kit Name	Kit Contents
A	30294	Valve Rebuilding	2 ea., Items 4 thru 9
B	30097‡	Screw	2 ea., item 1
C	30024‡	Triton II Handles	1 ea. Hot, 1 ea. Cold; item 2
D	30002	Valve Replacement	1 ea., items 4 thru 12
E	30085‡	Escutcheon	2 ea., item 13
F	30230	Coupling Nut	2 ea., item 22
G	29746	Index Cap	4 pr. of 4 finishes; item 24
H	30105	Screw	2 ea., item 25
I	106299§■	Flair, Flair II Handle Options	See INDEX.
J	30113	Screw	2 ea., item 21
K	34435‡	Spout S.A.	1 ea., items 15, 16, and 17
L	30135	Valve Replacement (Closes Clockwise, Finesse)	1 ea., items 4 thru 9
M	30134	Valve Replacement (Closes Counterclockwise, Finesse)	1 ea., items 4 thru 9
N	30406	Spout S.A.	1 ea., items 15, 17, 28, 29, and 30
O	30334‡	Small Finesse Handle	2 ea., item 31
P	30336	Screw	2 ea., item 32
Q	30335‡	Plug Button	1 ea. Hot, 1 ea. Cold; item 33

KITS MAY INCLUDE EXTRA PARTS

NOTES:

* Not available as a service part.
 For pop-up drain see Page 2-35.

LEGEND:

‡ Specify finish.
 § Reference Number Only.
 □ Shading indicates product discontinued.
 ■ Parts further exploded in catalog; see INDEX.

SERVICE PARTS

LAVATORY FITTINGS

K-74505
K-80405

CONSTELLATION
TRITON

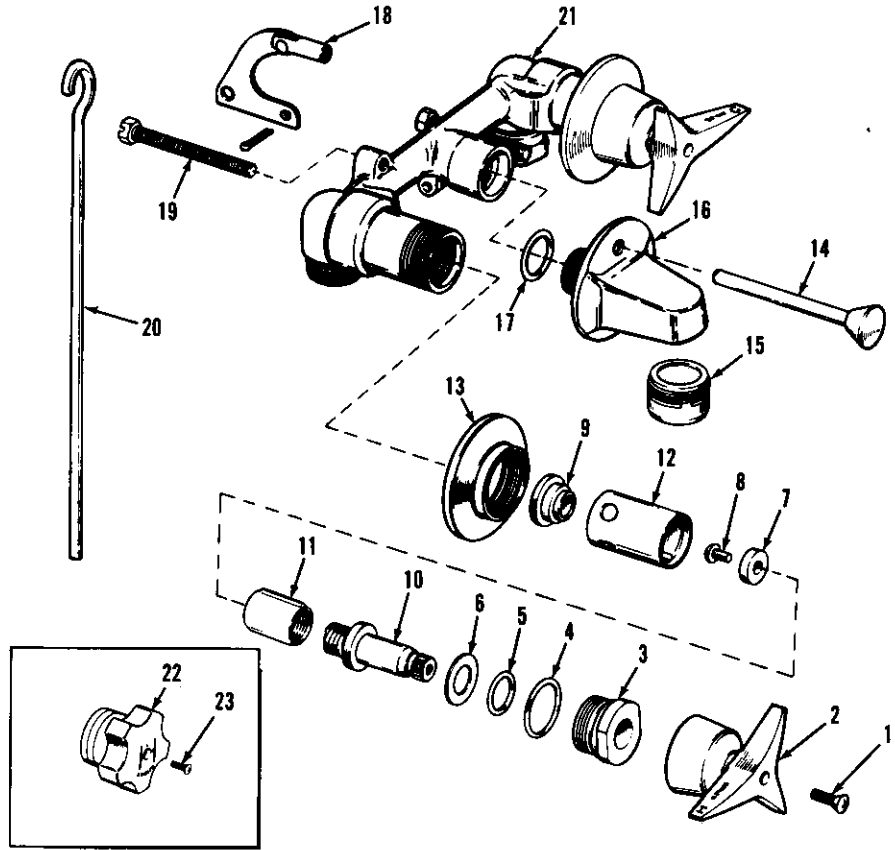
SHELF-BACK LAVATORY FITTING
SHELF-BACK LAVATORY FITTING

www.ppd1.biz

ORDER BY KIT NUMBER OR PART NUMBER, NOT ITEM NUMBER OR KIT LETTER.

Ordering Options

Item	Part No. or Kit
1	B or C
2	D
3	20475
4 thru 9	A, E, or F
10, 11, 12	E or F
13	G
14	34349‡
15	41007‡, K
16	K
17	40933, K
18	34898
19	H
20	51198
21	.
22	I
23	J



Kit Ordering Information

Kit	Kit Part No.	Kit Name	Kit Contents
A	30294	Valve Rebuilding	2 ea., Items 4 thru 9
B	30107‡	Screw (Roundhead)	2 ea., Item 1
C	30097‡	Screw (Countersunk)	2 ea., Item 1
D	30027‡	Triton Handle	1 ea. Hot, 1 ea. Cold; Item 2
E	30002	Valve Replacement (Closes Clockwise)	1 ea., Items 4 thru 12
F	30004	Valve Replacement (Closes Counterclockwise)	1 ea., Items 4 thru 12
G	30085‡	Escutcheon	2 ea., Item 13
H	30113	Screw	2 ea., Item 19
I	30026‡	Constellation Handle	1 ea. Hot, 1 ea. Cold; Item 22
J	30109‡	Screw	2 ea., Item 23
K	34435‡	Spout	1 ea., Items 15, 16, and 17

KITS MAY INCLUDE EXTRA PARTS

NOTES:

* Not available as a service part.
For pop-up drain see Page 2-35.

LEGEND:

‡ Specify finish.
§ Reference Number Only.
□ Shading indicates product discontinued.