

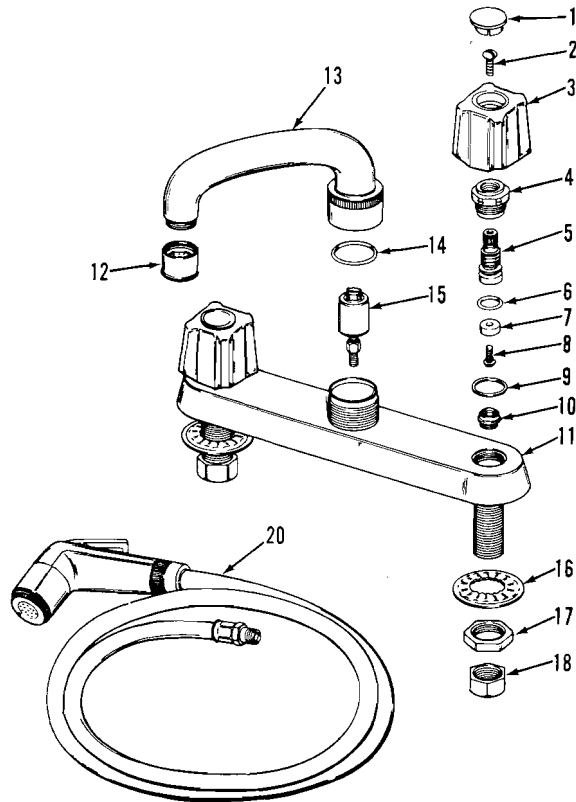
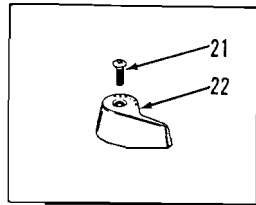
**K-11920** TREND  
**K-11925** TREND  
**-PH**  
**-B**

SINK FITTING  
 SINK FITTING  
 WITH PLASTIC HANDLES  
 WITH CHROME-PLATED LEVER HANDLES

**ORDER BY KIT NUMBER OR PART NUMBER, NOT ITEM NUMBER OR KIT LETTER.**

### Ordering Options

Item	Part No. or Kit
1	B or C
2	D
3	E or F or G
4, 5	H or I
6 thru 10	A, H, or I
11	*
12	37725‡, M
13	M
14	29464, M, N
15	N
16, 17, 18	J
19	40132‡
20	20816‡
21	K
22	L



### Kit Ordering Information

Kit	Kit Part No.	Kit Name	Kit Contents
A	30404	Valve Rebuilding	2 ea., items 6 thru 10
B	30000	Plug Button Chrome	1 ea. Hot, 1 ea. Cold; item 1
C	30001	Plug Button Brass	1 ea. Hot, 1 ea. Cold; item 1
D	30098	Screw	2 ea., item 2
E	30011	Chrome Handle	2 ea., item 3
F	30009	Clear Acrylic Handle	2 ea., item 3
G	30029	Charcoal Acrylic Handle	2 ea., item 3
H	30395	Valve Replacement (Closes Clockwise)	1 ea., items 4 thru 10
I	30396	Valve Replacement (Closes Counterclockwise)	1 ea., items 4 thru 10
J	30228	Attachment S.A.	2 ea., items 16, 17, and 18
K	30109	Screw	2 ea., item 21
L	30028	Shoreham Lever Handle	1 ea. Hot, 1 ea. Cold; item 22
M	20815	Spout Assembly	1 ea., items 12, 13, and 14
N	30054	Diverter	1 ea., items 14 and 15

### KITS MAY INCLUDE EXTRA PARTS

**NOTES:**  
 Shoreham-Style Product Numbers  
 K-10920§ K-10925§  
 \* Not available as a service part.

**LEGEND:**  
 ‡ Specify finish.  
 § Reference Number Only.

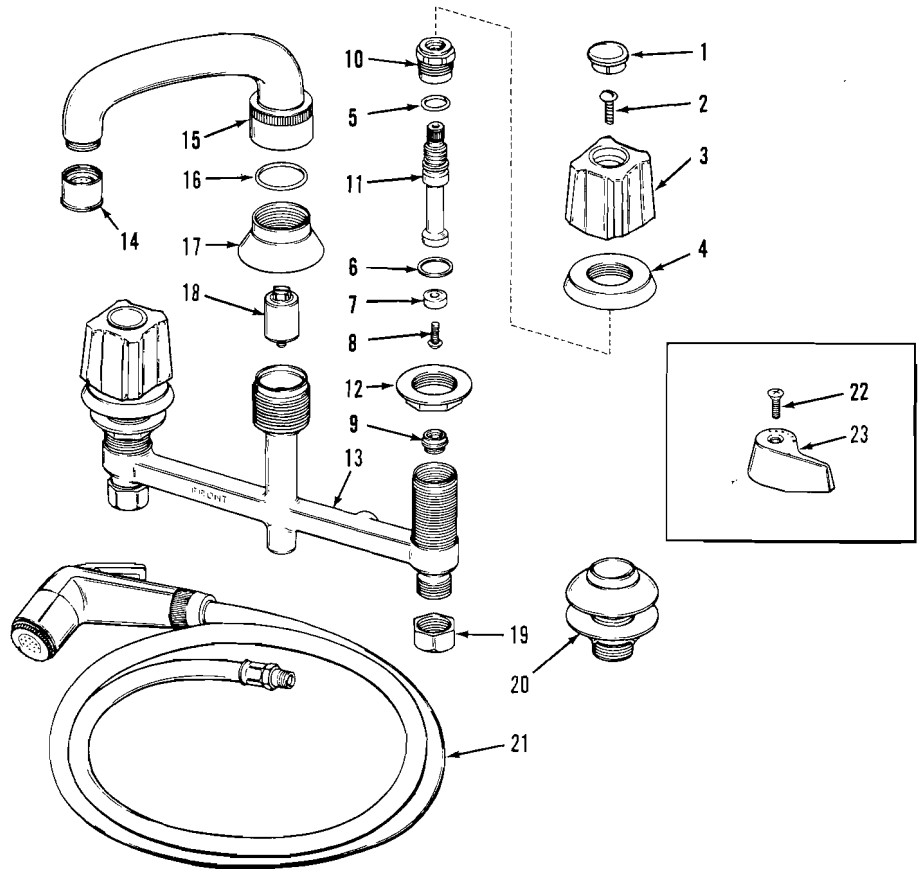
## SERVICE PARTS

## SINK FITTINGS

**K-11900§** TREND CONCEALED SINK FITTING LESS SPRAY ATTACHMENT  
**K-11905§** TREND CONCEALED SINK FITTING  
**K-10900§** SHOREHAM CONCEALED SINK FITTING LESS SPRAY ATTACHMENT  
**K-10905§** SHOREHAM CONCEALED SINK FITTING  
**-PH** WITH PLASTIC HANDLES

**ORDER BY KIT NUMBER OR PART NUMBER, NOT ITEM NUMBER OR KIT LETTER.**

Ordering Options	
Item	Part No. or Kit
1	B
2	C
3	D or E
4	F
5 thru 9	A, G, or H
10, 11	G or H
12	I
13	*
14	37725‡, J
15, 16	J
17	20807‡
18	39931
19	K
20	40132‡
21	20816‡
22	L
23	M



### Kit Ordering Information

Kit	Kit Part No.	Kit Name	Kit Contents
A	30404	Valve Rebuilding	2 ea., items 5 thru 9
B	30000	Plug Button	1 ea. Hot, 1 ea. Cold; item 1
C	30098	Screw	2 ea., item 2
D	30009	Clear Acrylic Handle	2 ea., item 3
E	30011‡	Chromium Handle	2 ea., item 3
F	30080‡	Flange	2 ea., item 4
G	30393	Valve Replacement (Closes Clockwise)	1 ea., items 5 thru 11
H	30394	Valve Replacement (Closes Counterclockwise)	1 ea., items 5 thru 11
I	30237	Brass Lock Nut	2 ea., item 12
J	20815‡	Spout S.A.	1 ea., items 14, 15, and 16
K	30230	Coupling Nut	2 ea., item 19
L	30109‡	Screw	2 ea., item 22
M	30028‡	Shoreham Handle	2 ea., item 23

**KITS MAY INCLUDE EXTRA PARTS**

**NOTES:**  
\* Not available as a service part.

**LEGEND:**  
‡ Specify finish.  
§ Reference Number Only.