

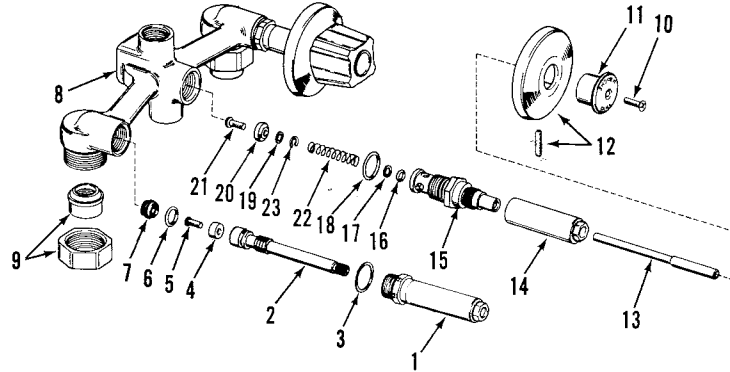
**K-11616**§ TREND  
**K-11620**§ TREND  
**-PH**  
**-B**  
**NO SUFFIX**

BATH AND SHOWER DIVERTER VALVE ASSEMBLY WITH SPOUT AND SHOWERHEAD  
 BATH AND SHOWER DIVERTER VALVE ASSEMBLY WITH STOPS, SPOUT, AND SHOWERHEAD  
 WITH CLEAR ACRYLIC HANDLES  
 WITH CHROME-PLATED LEVER HANDLES  
 WITH CHROMIUM SYMMETRIC HANDLES

(SEE EXPANDED "NOTES" SECTION ON FOLLOWING PAGE FOR PRODUCT NUMBERS)  
 ORDER BY KIT NUMBER OR PART NUMBER, NOT ITEM NUMBER OR KIT LETTER.

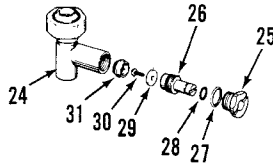
**Ordering Options**

Item	Part No. or Kit
<b>VALVE ASSEMBLY</b>	
1, 2	F or G
3	F or G, H
4 thru 7	H
8	*
9	J or K
10	T, 22859‡
11	20860‡
12	E
13, 14, 15	I
16 thru 21	H, I
22, 23	I

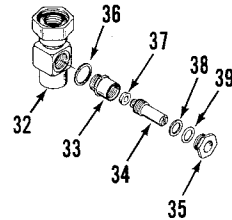


**Ordering Options**

Item	Part No. or Kit
<b>STOPS</b>	
24	*
25, 26	L
27 thru 31	L, M
32	N or O
33, 34, 35	N or O, P
36 thru 39	N or O, P, Q



PRE-1985\*\*

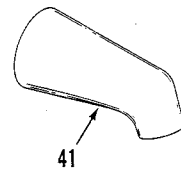
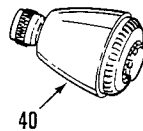


POST-1985\*\*

**Ordering Options**

Item	Part No. or Kit
<b>SPOUTS AND SHOWERHEADS</b>	
40	K-11740
41	38772‡

[www.ppd1.biz](http://www.ppd1.biz)



OVER

**NOTES:**  
 † #30058 Seat wrench required for service.  
 †† #30060 Bonnet wrench required for service.  
 \* Not available as a service part.  
 \*\* Post-1985 stop is interchangeable with pre-1985 stop.

**LEGEND:**  
 ‡ Specify finish.  
 § Reference Number Only.  
 □ Shading indicates product discontinued.  
 † Service tool required; see NOTES section.

BATH AND SHOWER FITTINGS

**K-11616§** TREND  
**K-11620§** TREND  
**-PH**  
**-B**  
**NO SUFFIX**

BATH AND SHOWER DIVERTER VALVE ASSEMBLY WITH SPOUT AND SHOWERHEAD  
 BATH AND SHOWER DIVERTER VALVE ASSEMBLY WITH STOPS, SPOUT, AND SHOWERHEAD  
 WITH CLEAR ACRYLIC HANDLES  
 WITH CHROME-PLATED LEVER HANDLES  
 WITH CHROMIUM SYMMETRIC HANDLES

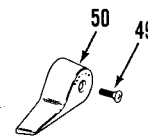
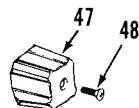
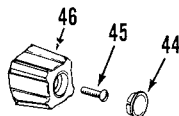
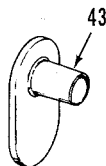
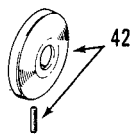
Cont.

(SEE NOTES SECTION FOR PRODUCT NUMBERS)  
**ORDER BY KIT NUMBER OR PART NUMBER, NOT ITEM NUMBER OR KIT LETTER.**

**Ordering Options**

**Item Part No. or Kit**  
**ESUTCHEONS AND HANDLES**

42	E
43	R
44	A
45	S
46	C
47	D
48	B
49	T, 22859‡
50	T



**Kit Ordering Information**

Kit	Kit Part No.	Kit Name	Kit Contents
A	30000	Chrome Plug Button	1 ea. Hot, 1 ea. Cold, 1 ea. Divert, item 44
B	30098	Screw (Chromium Handle)	3 ea., item 48
C	30009	Clear Acrylic Handle	2 ea., item 46
D	30011‡	Chromium Handle	2 ea., item 47
E	30073‡	Round Escutcheon and Screw	2 ea., item 12
F	30121† ††	Valve Replacement (Closes Clockwise)	1 ea., items 1, 2, and 3
G	30353† ††	Valve Replacement (Closes Counterclockwise)	1 ea., items 1, 2, and 3
H	30292† ††	Seat and Gasket	2 ea., items 3 thru 7; 1 ea., items 16 thru 21
I	30050† ††	Diverter Replacement	1 ea., items 13 thru 23
J	30204	Union S.A. (1/2" I.P.)	2 ea., item 9
K	30203	Union S.A. (5/8" O.D. Copper)	2 ea., item 9
L	30304	Stop Rebuilding (Major)	2 ea., items 25 thru 31
M	30291	Stop Rebuilding (Minor)	2 ea., items 27 thru 31
N	21310	Stop Replacement (1/2" I.P.)	1 ea., items 32 thru 39
O	21314	Stop Replacement (5/8" O.D. Copper)	1 ea., items 32 thru 39
P	21434	Stop Rebuilding (Major)	2 ea., items 33 thru 39
Q	21433	Stop Rebuilding (Minor)	2 ea., items 36 thru 39
R	30096	Oval Escutcheon and Lock Ring	2 ea., item 43
S	30099	Screw (Clear Acrylic)	3 ea., item 45
T	30013	Shoreham Style Chrome Lever Handle with Screw	1 ea. Hot, 1 ea. Cold, item 50

**KITS MAY INCLUDE EXTRA PARTS**

**NOTES: PRODUCT NUMBERS AND DESCRIPTIONS**

Other Product Numbers Using Same Parts  
 Shoreham Style  
 K-10616§  
 K-10620§

† #30058 Seat wrench required for service.  
 †† #30060 Bonnet wrench required for service.

**LEGEND:**

† Service tool required; see NOTES section.  
 § Reference Number Only.  
 □ Shading indicates product discontinued.  
 ‡ Specify finish.

[www.ppd1.biz](http://www.ppd1.biz)

# KOHLER SERVICE PARTS

## BATH AND SHOWER FITTINGS

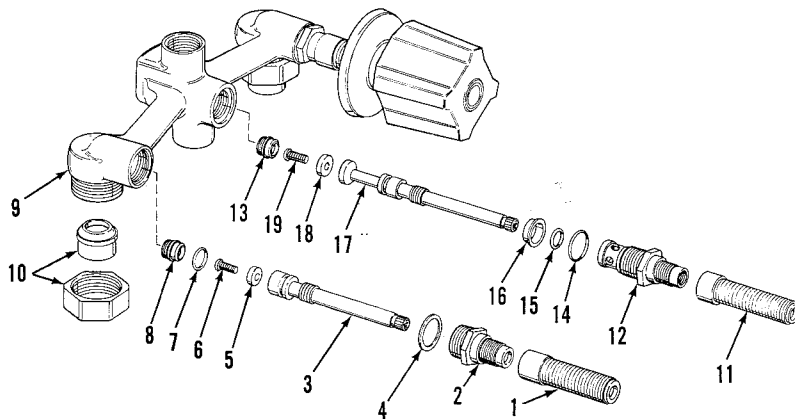
**K-11618** TREND  
**K-11622** TREND  
 -PH  
 -S

BATH AND SHOWER DIVERTER VALVE ASSEMBLY WITH SPOUT AND SHOWERHEAD  
 BATH AND SHOWER DIVERTER VALVE ASSEMBLY WITH SPOUT, STOPS, AND SHOWERHEAD  
 WITH CLEAR ACRYLIC HANDLES  
 WITH SLIP-FIT SPOUT

(SEE EXPANDED "NOTES" SECTION ON FOLLOWING PAGE FOR PRODUCT NUMBERS)  
 ORDER BY KIT NUMBER OR PART NUMBER, NOT ITEM NUMBER OR KIT LETTER.

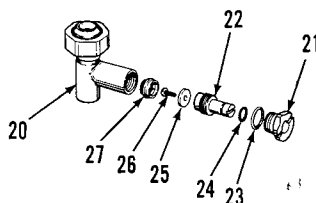
### Ordering Options

Item	Part No. or Kit
<b>VALVE ASSEMBLY</b>	
1, 2, 3	I
4 thru 8	I, J
9	*
10	K or L
11, 12	M
13	J
14 thru 19	M, J

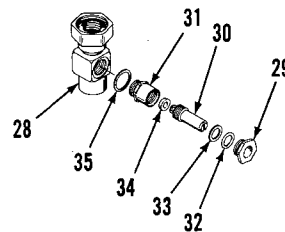


### Ordering Options

Item	Part No. or Kit
<b>STOPS</b>	
20	*
21, 22	O
23 thru 27	O, P
28	Q or R
29, 30, 31	Q or R, S
32 thru 35	Q or R,S,T



PRE-1985\*\*

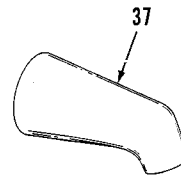
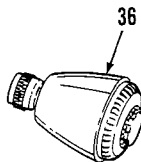


POST-1985\*\*

### Ordering Options

Item	Part No. or Kit
<b>SPOUTS AND SHOWERHEADS</b>	
36	K-11740
37	38772‡

[www.ppd1.biz](http://www.ppd1.biz)



**NOTES:**

\* Not available as a service part.  
 \*\* Post-1985 stop is interchangeable with pre-1985 stop.

**LEGEND:**

‡ Specify finish.

OVER

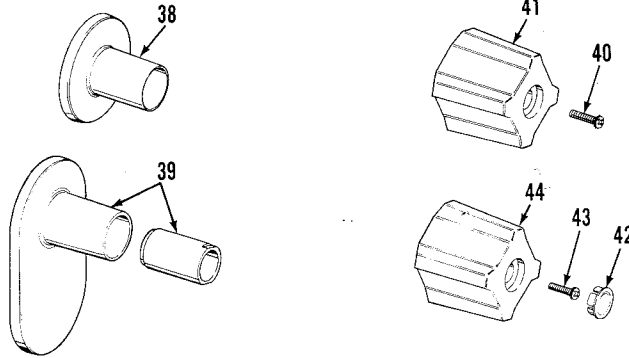
**BATH AND SHOWER FITTINGS**

<b>K-11618</b>	TREND	BATH AND SHOWER DIVERTER VALVE ASSEMBLY WITH SPOUT AND SHOWERHEAD
<b>K-11622</b>	TREND	BATH AND SHOWER DIVERTER VALVE ASSEMBLY WITH SPOUT, STOPS, AND SHOWERHEAD
<b>-PH</b>		WITH CLEAR ACRYLIC HANDLES
<b>-S</b>		WITH SLIP-FIT SPOUT

Cont.

**(SEE NOTES SECTION FOR PRODUCT NUMBERS)**  
**ORDER BY KIT NUMBER OR PART NUMBER, NOT ITEM NUMBER OR KIT LETTER.**

Ordering Options	
Item	Part No. or Kit
<b>ESCUTCHEONS AND HANDLES</b>	
38	H
39	N
40	C
41	F
42	A or B
43	D
44	E or G



**Kit Ordering Information**

Kit	Kit Part No.	Kit Name	Kit Contents
A	30000	Chrome Plug Button (Clear Acrylic)	1 ea. Hot, 1 ea. Cold, item 42
B	30001	Burnished Brass Plug Button (Charcoal Acrylic)	1 ea. Hot, 1 ea. Cold, item 42
C	30098	Screw (Chrome Handle)	2 ea., item 40
D	30099	Screw (Acrylic Handle)	2 ea., item 43
E	30003	Clear Acrylic Handle	2 ea., item 44
F	30005	Chrome Handle	2 ea., item 41
G	30007	Charcoal Acrylic Handle	2 ea., item 44
H	30069‡	Escutcheon (Round)	2 ea., item 38
I	30119	Valve Replacement	1 ea., items 1 thru 8
J	30303	Seat and Gasket	2 ea., items 4 thru 8, 1 ea., items 13 thru 19
K	30204	Union S.A. (1/2" I.P.)	2 ea., item 10
L	30203	Union S.A. (5/8" O.D. Copper)	2 ea., item 10
M	30139	Diverter Replacement	1 ea., items 11 and 12 and 14 thru 19
N	30096‡	Oval Escutcheon and Sleeve	2 ea., item 39
O	30304	Stop Rebuilding (Major)	2 ea., items 21 thru 27
P	30291	Stop Rebuilding (Minor)	2 ea., items 23 thru 27
Q	21310	Stop Replacement (1/2" I.P.)	1 ea., items 28 thru 35
R	21314	Stop Replacement (5/8" O.D. Copper)	1 ea., items 28 thru 35
S	21434	Stop Rebuilding (Major)	2 ea., items 29 thru 35
T	21433	Stop Rebuilding (Minor)	2 ea., items 32 thru 35

**KITS MAY INCLUDE EXTRA PARTS**

**NOTES: PRODUCT NUMBERS AND DESCRIPTIONS**

K-11618 Replaces K-11616 after 1980  
 K-11622 Replaces K-11620 after 1980

**LEGEND:**

‡ Specify finish.