

K-7014§
K-7016§

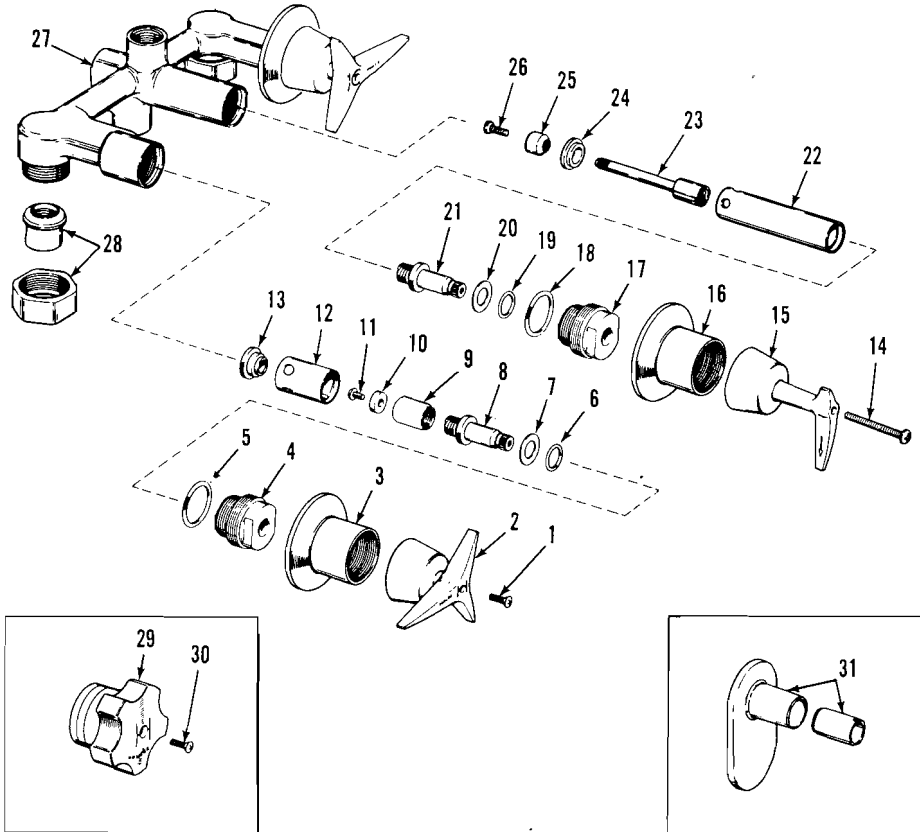
TRITON
CONSTELLATION

DIVERTER BATH AND SHOWER VALVE ASSEMBLY
DIVERTER BATH AND SHOWER VALVE ASSEMBLY

ORDER BY KIT NUMBER OR PART NUMBER, NOT ITEM NUMBER OR KIT LETTER.

Ordering Options

Item	Part No. or Kit
1	A or B
2	C
3, 16	D
4	34253
5, 6, 7	E or F, G
8, 9	E or F
10, 11	E or F, G
12	E or F
13	E or F, G
14	H or I
15	*, J
16, 3	D
17 thru 26	23070
27	**
28	K or L
29	M
30	I
31	N



Kit Ordering Information

Kit	Kit Part No.	Kit Name	Kit Contents
A	30107	Screw (Round Head)	3 ea., item 1
B	30097‡	Screw (Countersunk)	3 ea., item 1
C	30017‡	Triton Chrome Handle	1 ea., Hot, 1 ea. Cold
D	30071‡	Escutcheon	2 ea., item 3 or 16
E	30002	Valve Replacement (Closes Clockwise)	1 ea., items 5 thru 13
F	30004	Valve Replacement (Closes Counterclockwise)	1 ea., items 5 thru 13
G	30294	Valve Rebuilding	2 ea., items 5, 6, 7, 10, 11, and 13
H	30111‡	Chrome Screw (Triton)	3 ea., item 14
I	30109‡	Chrome Screw (Constellation)	3 ea., item 14
J	22902‡	Constellation Handle (Specify Diverter)	1 ea., item 15
K	30204	Union S.A. (1/2" I.P.)	2 ea., item 28
L	30203	Union S.A. (5/8" O.D. Copper)	2 ea., item 28
M	30019‡	Constellation Chrome Handle	1 ea. Hot, 1 ea. Cold; item 29
N	30095‡	Oval Escutcheon for Fitting with Stops	2 ea. item 31

KITS MAY INCLUDE EXTRA PARTS

NOTES:

* Triton Diverter Handle is not available as a service part.
** Not available as a service part.

LEGEND:

§ Reference Number only.
‡ Specify finish.
□ Shading indicates product discontinued.

KOHLER

SERVICE PARTS

Plumbing Parts Depot
610-495-8790
www.ppd1.biz

BATH AND SHOWER FITTINGS

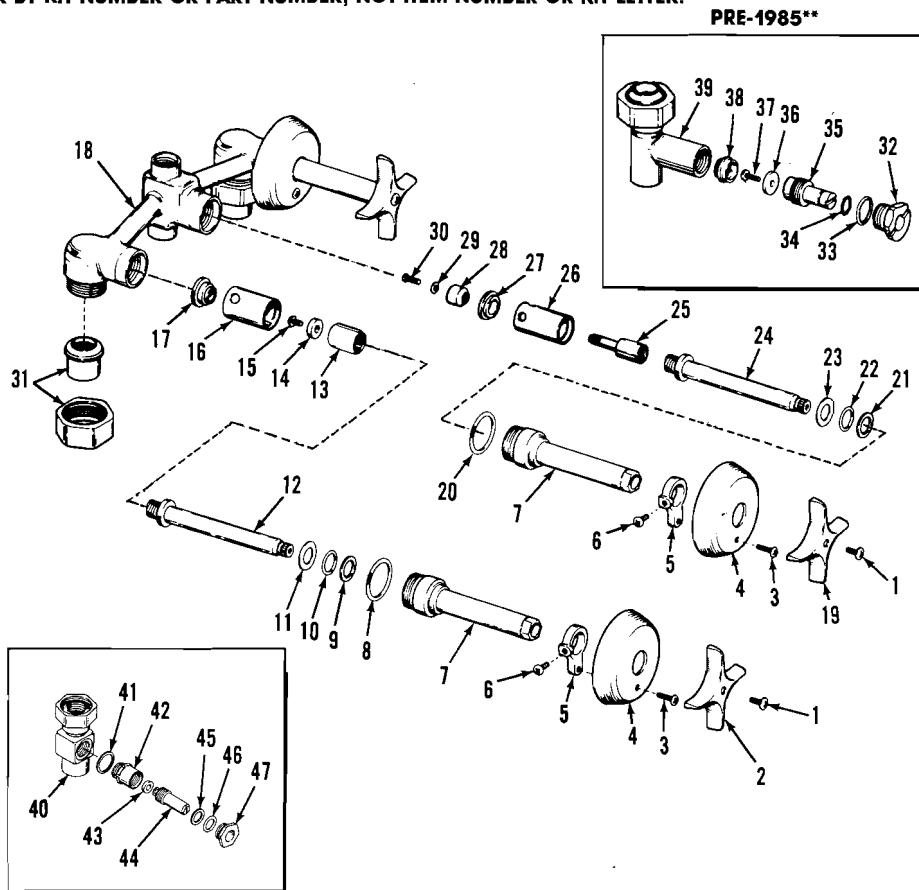
K-10116§ AQUARIC
K-10120§ AQUARIC

DIVERTER BATH AND SHOWER VALVE ASSEMBLY
DIVERTER BATH AND SHOWER VALVE ASSEMBLY

ORDER BY KIT NUMBER OR PART NUMBER, NOT ITEM NUMBER OR KIT LETTER.

Ordering Options

Item	Part No. or Kit
1, 3	A
2	B
3, 1	A
4	C
5	D
6	E
7	F
8	34264
9	20416
10 thru 17	G
18	*
19	H
20 thru 30	I
31	J or K
32	L
33, 34	L or M
35	L
36, 37, 38	L or M
39	*
40	N or O
41	N or O, P, Q
42	N or O, P
43	N or O, P, Q
44	N or O, P
45, 46	N or O, P, Q
47	N or O, P



Kit Ordering Information

Kit	Kit Part No.	Kit Name	Kit Contents
A	30105‡	Screw	3 ea., item 1
B	30015‡	Aquaric Chrome Handle	1 ea. Hot, 1 ea. Cold, item 2
C	30075‡	Escutcheon	2 ea., item 4
D	30076	Lock Ring	3 ea., item 5
E	30101	Screw	3 ea., item 6
F	30405‡	Chrome Bonnet	3 ea., item 7
G	30137‡	Valve Replacement	1 ea., items 10 thru 17
H	20419‡	Aquaric Chrome Handle	1 ea., item 19
I	30123‡	Divertor Valve Replacement	1 ea., items 20 thru 30
J	30204	Union SA (1/2" I.P.)	2 ea., item 31
K	30203	Union SA (5/8" O.D. Copper)	2 ea., item 31
L	30304	Stop Rebuilding (Major)	2 ea., items 32 thru 38
M	30291	Stop Rebuilding (Minor)	2 ea., items 33, 34, 36, 37, 38
N	21310	Stop Replacement (1/2" I.P.)	1 ea., items 40 thru 47
O	21314	Stop Replacement (5/8" O.D. Copper)	1 ea., items 40 thru 47
P	21434	Stop Rebuilding (Major)	2 ea., items 41 thru 47
Q	21433	Stop Rebuilding (Minor)	2 ea., items 41, 43, 45, 46

KITS MAY INCLUDE EXTRA PARTS

NOTES:

- * Not available as a service part.
- ** Post-1985 stop is interchangeable with pre-1985 stop.

LEGEND:

- ‡ Specify finish.
- § Reference Number only.
- Shading indicates product discontinued.