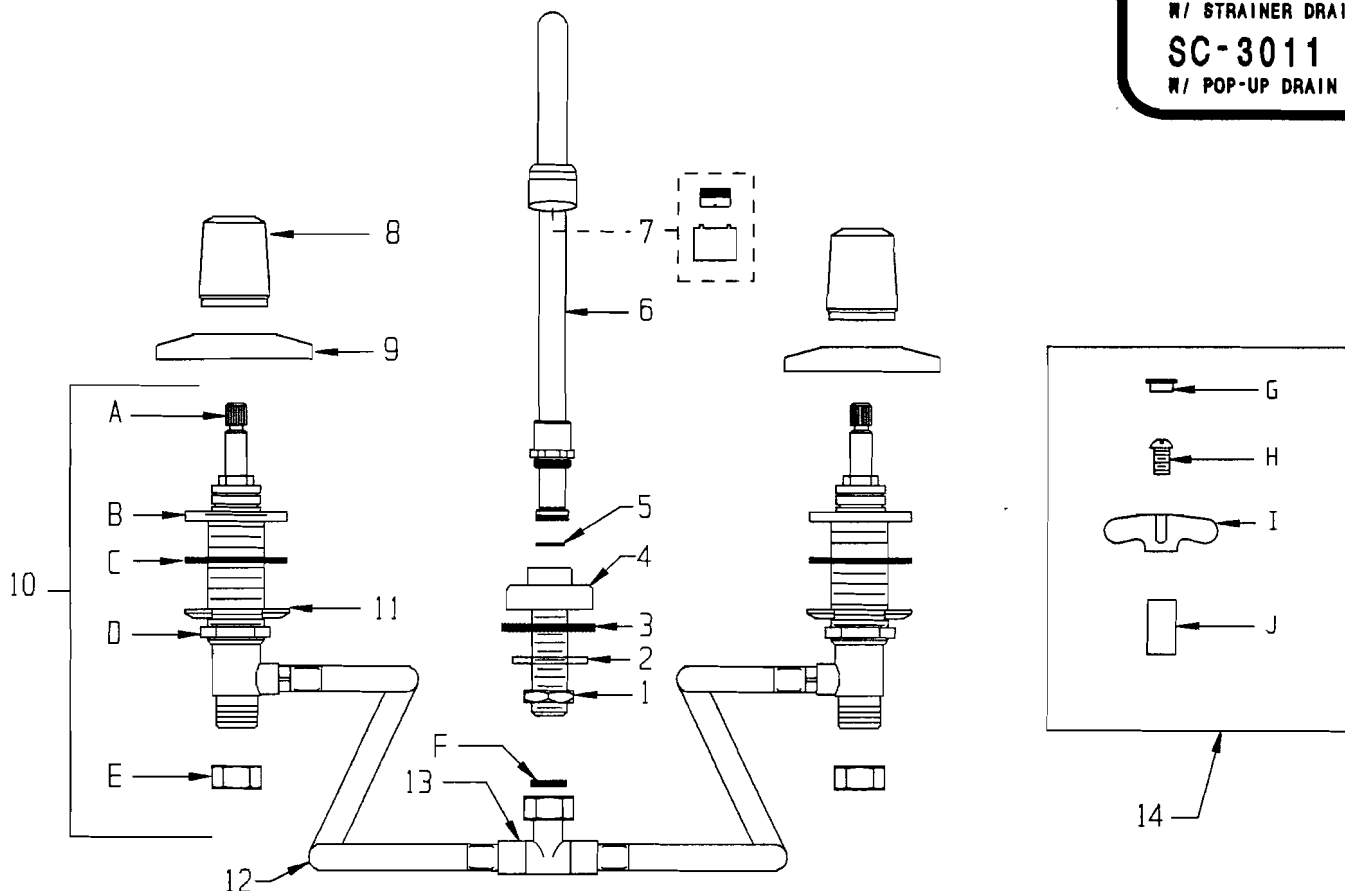


# REPAIR PARTS LISTING FOR COMMANDER® WIDESPREAD GOOSENECK FAUCET



**SC-3001**  
W/ STRAINER DRAIN  
**SC-3011**  
W/ POP-UP DRAIN



ITEM PART OR  
NO. GROUP NO. DESCRIPTION

1	01-0729	SHANK NUT
2	54-0070	NOZZLE SPACER
3	45-0592	CHANNEL WASHER
4	G26-0034	BASE W/ LIFT ROD HOLE (SC-3011)
	G26-0036	BASE W/O LIFT ROD HOLE (SC-3001)
5	45-0110	WASHER FOR RIGID CONNECTION
6	G18-0213	GOOSENECK NOZZLE ASSY
	G18-0198	NOZZLE 02-0147 COLLAR
	05-1813	BLUSHING 49-0077 O-RING
7	G05-0574	STANDARD AERATOR & WRENCH
	05-1917	AERATOR
	05-1899	WRENCH
8	02-0142	TRIM COLLAR (2)
9	26-0233	TRIM FLANGE (2)
10	G20-1707	BODY ASSY W/ RED MTG (2)
A	G05-0530	RED VALVE MOUNTING
B	26-0244	FLANGED NUT

C	45-0594	RUBBER WASHER
D	01-0763	LOCKNUT
E	01-0076	COUPLING NUT
11	45-0593	SPLIT WASHER (2)
12	G63-0034	FLEX HOSE (2)
13	G24-0080	TEE ASSEMBLY
F	45-0596	RUBBER WASHER
14	G04-0332	CROSS HANDLES
G	41-0173	RED INDEX
	41-0174	BLUE INDEX
H	48-0307	8-32 SCREW (2)
I	04-0496	HANDLE (2)
J	05-1828	SLEEVE (2)

DRAINS (DETAIL ON SEPARATE SHEET)  
S-3440 STRAINER DRAIN (SC-3001)  
S-3357 POP-UP DRAIN (SC-3011)



**SPEAKMAN**

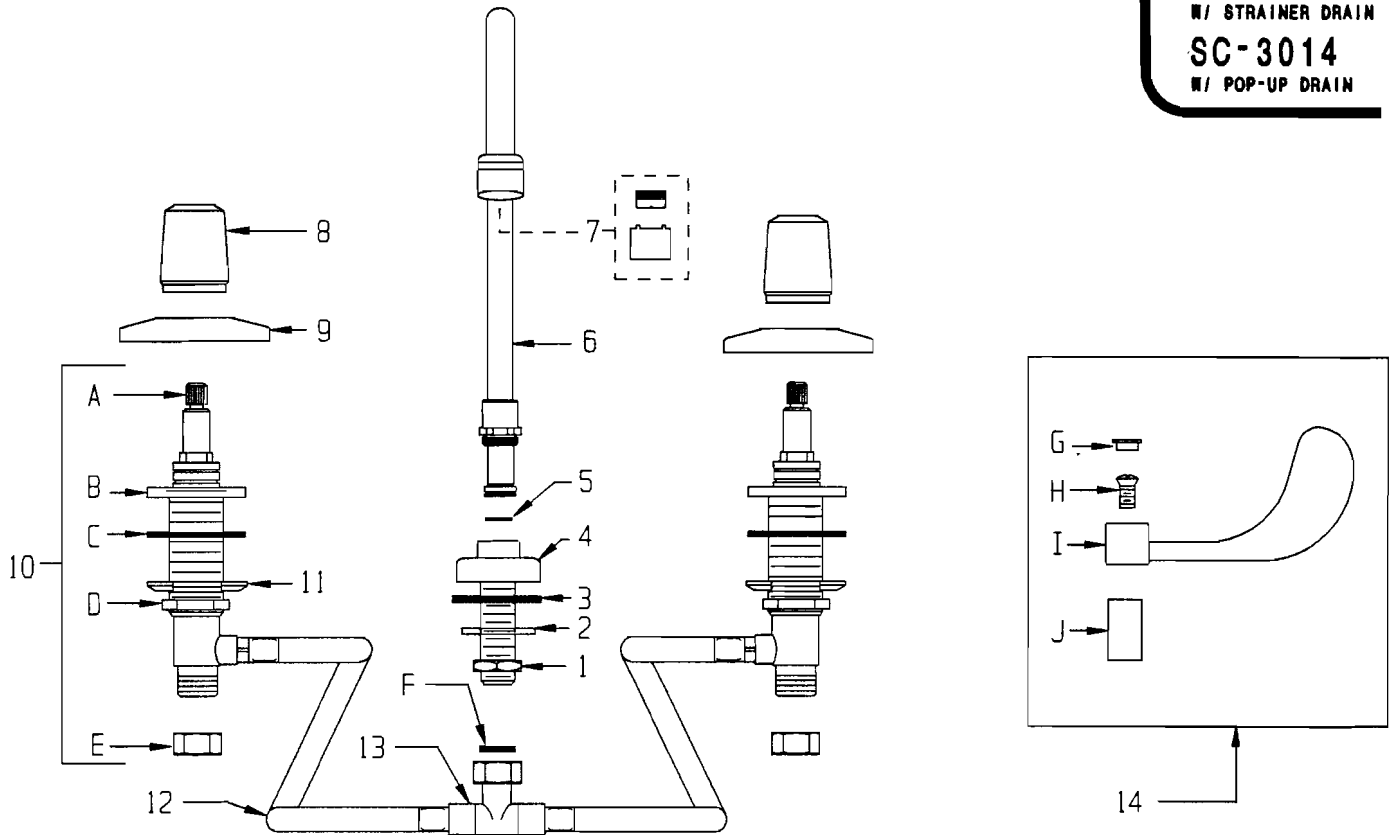
The Quality Leader Since 1869  
P.O. Box 191, Wilmington, DE 19899-0191  
1-302/764-9100, FAX: 1-302/764-1956

7/92  
92-0443A



# REPAIR PARTS LISTING FOR COMMANDER® WIDESPREAD GOOSENECK FAUCET WITH 4" WRIST HANDLES

**SC-3004**  
W/ STRAINER DRAIN  
**SC-3014**  
W/ POP-UP DRAIN



ITEM NO. PART OR GROUP NO. DESCRIPTION

1	01-0729	SHANK NUT
2	54-0070	NOZZLE SPACER
3	45-0592	CHANNEL WASHER
4	G26-0034	BASE W/ LIFT ROD HOLE (SC-3014)
	G26-0036	BASE W/O LIFT ROD HOLE (SC-3004)
5	45-0110	WASHER FOR RIGID CONNECTION
6	G18-0213	GOOSENECK NOZZLE ASSY G18-0198 NOZZLE 02-0147 COLLAR 05-1813 BUSHING 49-0077 O-RING
7	G05-0574	STANDARD AERATOR W/ WRENCH
	05-1917	AERATOR
	05-1899	WRENCH
8	02-0142	TRIM COLLAR (2)
9	26-0233	TRIM FLANGE (2)
10	G20-1707	BDDY ASSY W/ RED MTG (HOT/LEFT)
	G20-1708	BDDY ASSY W/ BLUE MTG (COLD/RGT)

A	G05-0530	RED VALVE MTG (HOT/LEFT)
	G05-0531	BLUE VALVE MTG (COLD/RGT)
B	26-0244	FLANGED NUT
C	45-0594	RUBBER WASHER
D	01-0763	LOCKNUT
E	01-0076	COUPLING NUT
11	45-0593	SPLIT WASHER (2)
12	G63-0034	FLEX HDSES (2)
13	G24-0080	TEE ASSEMBLY
F	45-0596	RUBBER WASHER
14	G04-0308	4" WRIST HANDLES
G	41-0173	RED INDEX
	41-0174	BLUE INDEX
H	48-0305	8-32 SCREW (2)
I	04-0472	4" WRIST HANDLE (2)
J	05-1828	SLEEVE (2)

DRAINS (DETAIL ON SEPARATE SHEET)  
S-3440 STRAINER DRAIN (SC-3004)  
S-3357 POP-UP DRAIN (SC-3014)



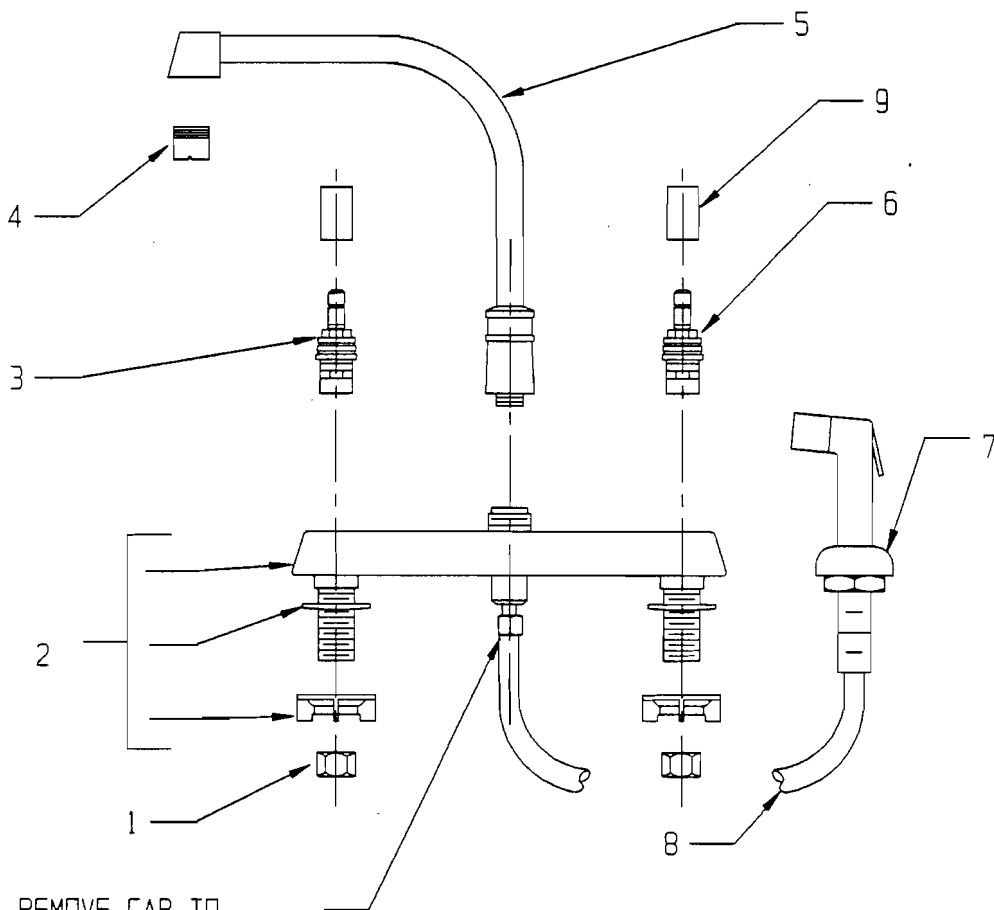
**SPEAKMAN**  
The Quality Leader Since 1869  
P.O. Box 191, Wilmington, DE 19899-0191  
1-302/764-9100, FAX: 1-302/764-1956

# REPAIR PARTS LISTING FOR COMMANDER® DECK MOUNTED SINK FITTINGS

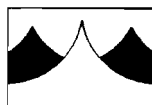
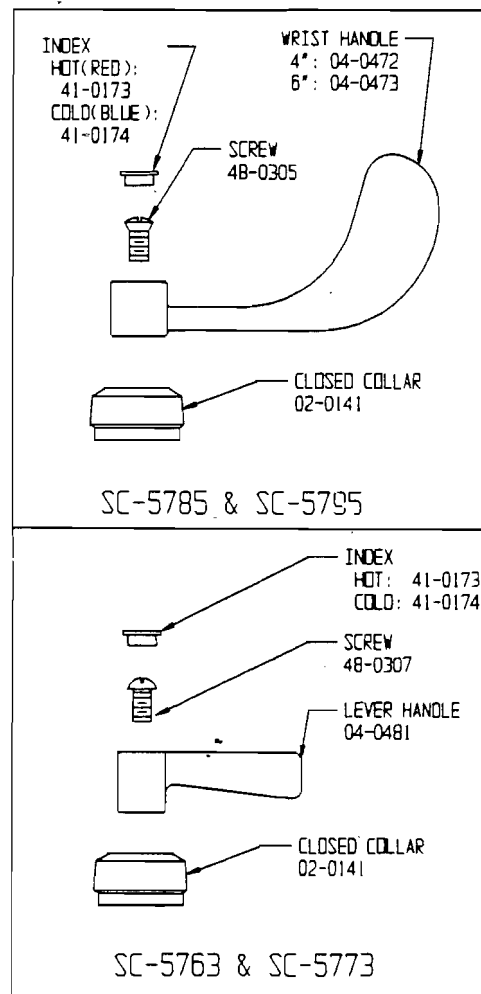


SC-5773  
SC-5795  
SC-5795-BO  
SC-5795-6WH  
W/ HAND HOSE  
SC-5763  
SC-5763-BO  
SC-5785  
SC-5785-BO  
SC-5785-6WH  
W/O HAND HOSE

ITEM NO.	PART OR GROUP NO.	DESCRIPTION
1	01-0076	COUPLING NUTS (2)
2	G20-1763	BODY ASSEMBLY:(BODY, WASHERS, CAP & LOCKNUTS)
3	G05-0528	RED VALVE MOUNTING (HOT)
4	G05-0555	VANDAL RESISTANT AERATOR
	05-1866	WRENCH
	05-1921	AERATOR
	G05-0521	BOCA (WRENCH #05-1866)
5	G18-0228	SWING SPOUT ASSEMBLY
6	G05-0529	BLUE VALVE MOUNTING (COLD)
7	G05-0341	HOSE HOLDER ASSEMBLY
8	38-0138	HOSE & SPRAY ASSEMBLY
9	05-1827	SLEEVE



REMOVE CAP TO  
ATTACH HOSE & SPRAY



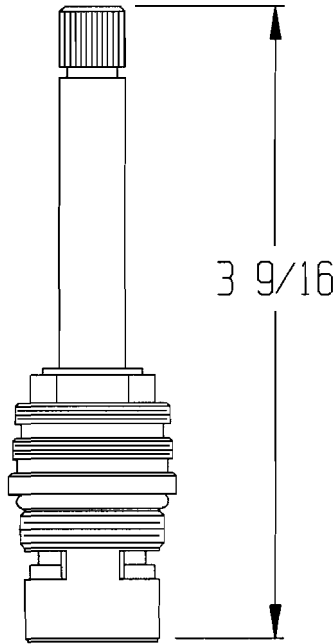
**SPEAKMAN**

The Quality Leader Since 1869  
P.O. Box 191, Wilmington, DE 19899-0191  
1-302/764-9100, FAX: 1-302/764-1956

# REPAIR PARTS LISTING FOR PERFECT® VALVE - 3/8" BROACH

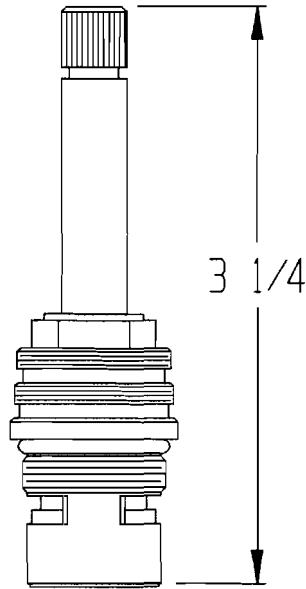


## VALVES



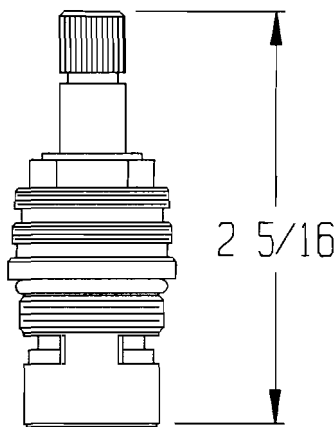
LONG

G05-0571 "COLD"  
G05-0570 "HOT"



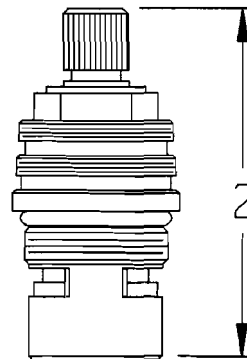
MEDIUM

G05-0531 "COLD"  
G05-0530 "HOT"



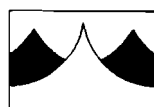
SHORT

G05-0529 "COLD"  
G05-0528 "HOT"



STUBBY

G05-0573 "COLD"  
G05-0572 "HOT"



**SPEAKMAN**

The Quality Leader Since 1869  
P.O. Box 191, Wilmington, DE 19899-0191  
1-302/764-9100, FAX: 1-302/764-1956