

REPAIR PARTS LISTING FOR ROYALE™ BALANCED PRESSURE DIVERTER VALVE



**SR-1521
OPTIONS**

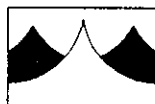
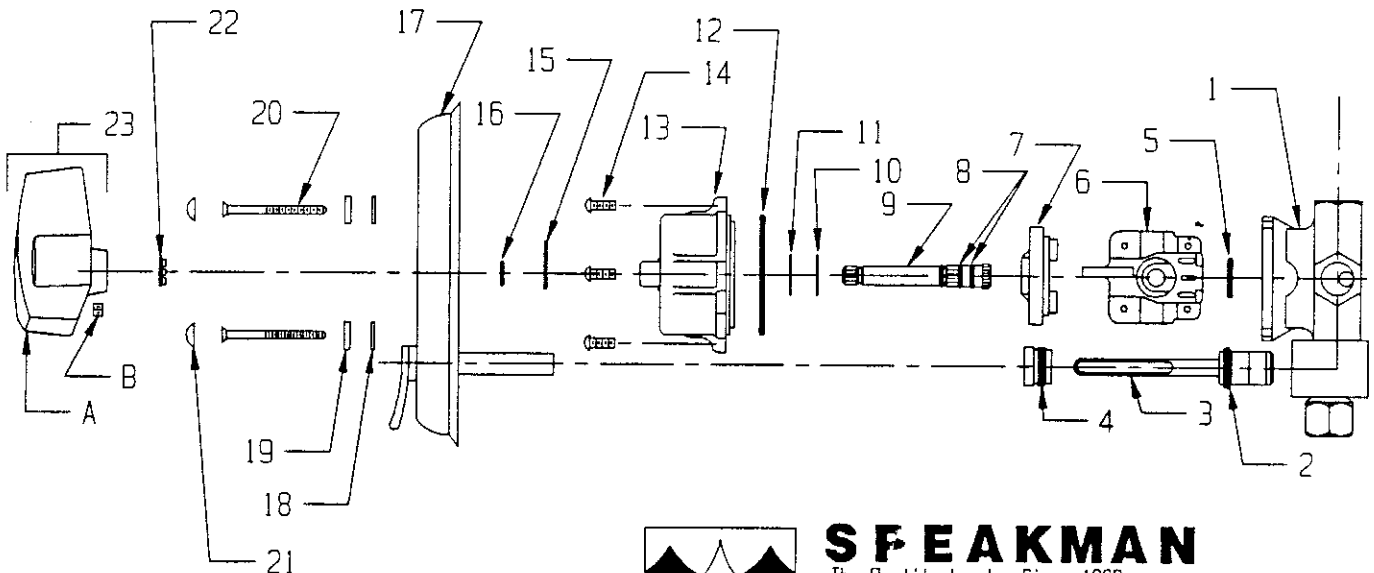
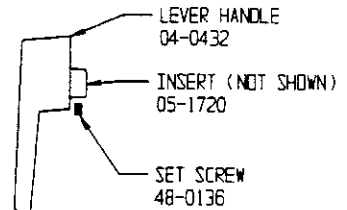
-LHB
-SCS
-SS

ITEM NO.	PART OR GROUP NO.	DESCRIPTION
1	G20-1721	DIVERTER VALVE BODY
2	49-0083	O-RING
3	03-0480	VOLUME CONTROL SPINDLE
4	01-0768	RETAINING NUT
5	49-0127	QUAD RING (2) (INCLUDED IN G05-0536)
6	G05-0536	BALANCING MODULE W/ QUAD RINGS
7	05-1847	REGULATING MODULE
8	49-0076	O-RING (2)
9	03-0417	SPINDLE
10	45-0539	BRASS WASHER
11	45-0540	FRICTION WASHER
12	49-0126	O-RING
13	05-1646	BONNET
14	48-0098	ROUND HEAD SCREW (4)
15	05-1634	STOP PLATE
16	49-0087	RETAINING RING
17	G10-0061	ESCUTCHEON
18	45-0487	WASHER (2)
19	07-0079	CUP WASHER (2)
20	48-0250	ESCUTCHEON SCREW (2)
21	07-0078	SNAP CAP (2)
22	05-1623	SPINDLE BUSHING
23	G04-0278	ADJUSTABLE ARROW HANDLE (-STD)
A	04-0474	ARROW HANDLE
B	48-0136	SET SCREW
-	05-1720	INSERT (NOT SHOWN)
	G04-0244	LEVER HANDLE (-LHB)
	G20-1636	SEPARATE STOPS (-SS) (NOT SHOWN)
	G20-1724	SPRING CHECK STOPS (-SCS) (NOT SHOWN)

610-495-8790

www.ppd1.biz

G04-0244 LEVER HANDLE ASSEMBLY (-LHB)



SPEAKMAN

The Quality Leader Since 1869
P.O. Box 191, Wilmington, DE 19899-0191
1-302/764-9100, FAX: 1-302/764-1956