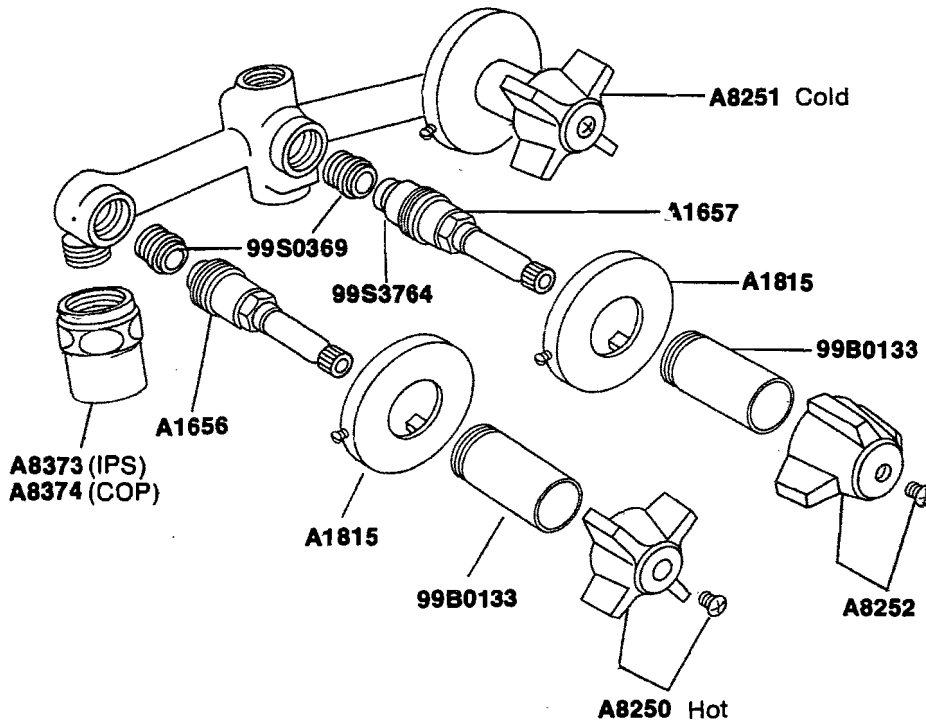


# 3-Valve Diverters



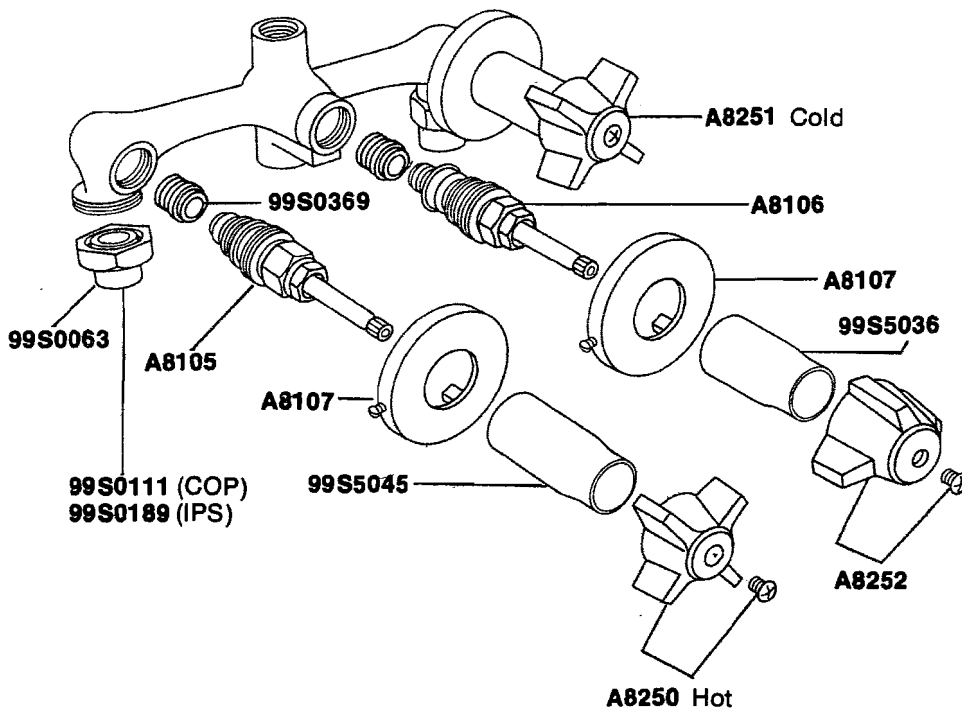
## 104 Series 3-Valve Diverter

- A1656** Corner Stem Assy.
- A1657** Diverter Stem Assy.
- A1815** Escutcheon
- A8250** Handle Assy. - Hot
- A8251** Handle Assy. - Cold
- A8252** Diverter Handle Assy.
- A8373** 1/2" Coupling (IPS)
- A8374** 1/2" Coupling (COP)
- 99B0130** Escutcheon
- 99B0131** Bonnet "O" Ring  
(Not Shown)
- 99B0133** Escutcheon Tube
- 99S0358** Seat Washer  
(Not Shown)
- 99S0369** Renewable Seat
- 99S1322** Stem "O" Ring  
(Not Shown)
- 99S3764** Bushings

**Hot & Cold Stem Assy.  
Interchangeable:**

## Accessory Items Available From Product Catalog

- 15044** Shower Assy.
- 15161** Spout



## 105 3-Valve Diverter Old Style

- A8105** Corner Stem Assy.
- A8106** Center Stem Assy.
- A8107** Escutcheon Assy.
- A8250** Handle Assy. - Hot
- A8251** Handle Assy. - Cold
- A8252** Diverter Handle Assy.
- 99S0063** Coupling Nut
- 99S0111** Sleeve (COP)
- 99S0189** Sleeve (IPS)
- 99S0369** Renewable Seat
- 99S0385** Seat Washer  
(Not Shown)
- 99S0723** Div. Back Seat Washer  
(Not Shown)
- 99S3323** Stem Packing  
(Not Shown)
- 99S5036** Sleeve, Center
- 99S5045** Sleeve, Corner

**Hot & Cold Stem Assy.  
Interchangeable:**

**(Parts for 115, 125 and 135  
Series same except  
less Diverter Parts)**