

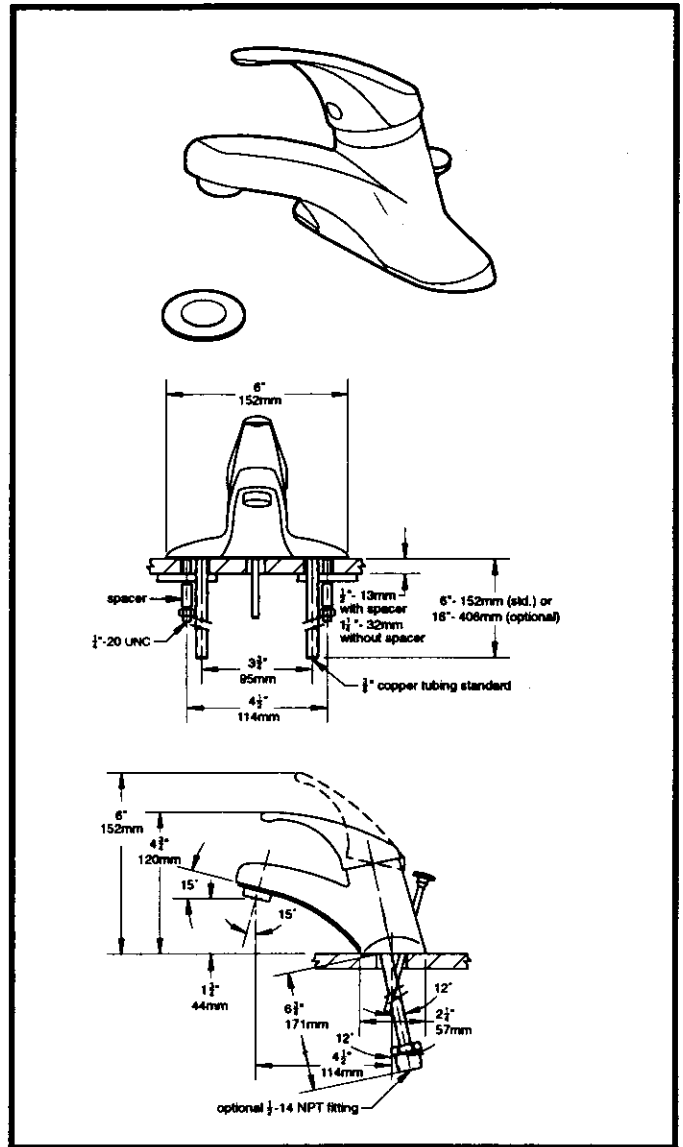
SYMMETRIX® Lavatory Faucet S-20 Series

INSTALLATION, OPERATION AND SERVICE INSTRUCTIONS
Faucet meets ANSI A112.18.1M Flow rate: 2.0 gpm (7.6 L/min)

Caution: Be sure to turn off hot and cold water supplies before installing or servicing faucet.

INSTALLATION:

- Loosely install the anchor bar (KN-23), spacer (KN-26) and nut (L-36) on the mounting bolts and place gasket on base of faucet. Push faucet supplies and anchor bolt/spacer/nut assemblies with gasket through holes in sink. Secure faucet to sink by tightening nuts from underside. (If sink or counter surface is uneven, use putty or sealant to make proper seal under base.)
- Connect hot supply to left tube and cold supply to right tube using appropriate connectors.
- Pop-up drain installation:
 - Remove pop-up plug, tail piece and flange from the drain body. Make sure that locknut is threaded all the way down onto the body with flat friction washer in middle and beveled washer on top.
 - Apply plumbers putty or sealant to bottom of flange.
 - Install drain body through drain opening in lavatory and screw flange onto the drain body making sure that the threads are completely engaged for proper sealing and strength of the connection. Apply joint compound to all threaded parts to insure proper seal.
 - Tighten locknut to compress the beveled flange evenly across the bottom of the drain opening taking care not to over tighten the locknut, causing damage to the lavatory. Apply teflon tape (clockwise) on tail piece and thread into outlet of body.
 - Insert pop-up plug and pivot rod into body and tighten retaining nut until the ball is seated on the ball washer. Note: The pop-up plug can be installed either in the removable or non-removable position, depending on the location of the hole located in the guide at the bottom of the plug.
 - Slide the pivot rod through one side of the spring clip, then the appropriate adjustment hole and then other side of the spring clip.
 - Insert lift rod through faucet housing and the top of the lift strap and secure it in place by tightening the screw. Note: To insure proper operation of lift rod and pop-up, some adjustment of the linkage may be required. There are two possible adjustment points: 1) lift strap to lift rod and 2) lift strap to pivot rod.
- It is very important to thoroughly flush the supply lines to prevent foreign matter, i.e. copper chips, sand, stones, etc. from damaging the sealing surfaces of cartridge.** Remove aerator and turn valve handle on to full cold position, open cold supply. Without closing, turn handle to full hot and open hot supply. Let water run in hot only and cold only positions long enough to flush supply lines thoroughly. Shut off faucet and replace aerator. Check for leaks.
- The handle limit stop can be set to limit handle turn to the hot position. The limit mechanism is factory set to allow full handle travel. To adjust the limit stop, turn handle to the full hot position and lift handle to open faucet approximately half way to obtain a smooth flow for correct initial temperature measurement.
- If when faucet is on and in full hot position and water is too hot, remove plug button (KN-157), loosen set screw (L-22) and remove handle (KN-3RB, KN-3BRB or LN-135) or plug button (T-33), screw (LN-146), and handle (LN-122). Lift limit stop ring (KN-4L) using a small flat head screw driver and rotate counter clockwise to lower temperature. If water is not hot enough, rotate clockwise (See **Figure 1** on reverse side). After correct temperature is achieved, reattach handle, reversing procedure above.



To replace cartridge (KN-4):

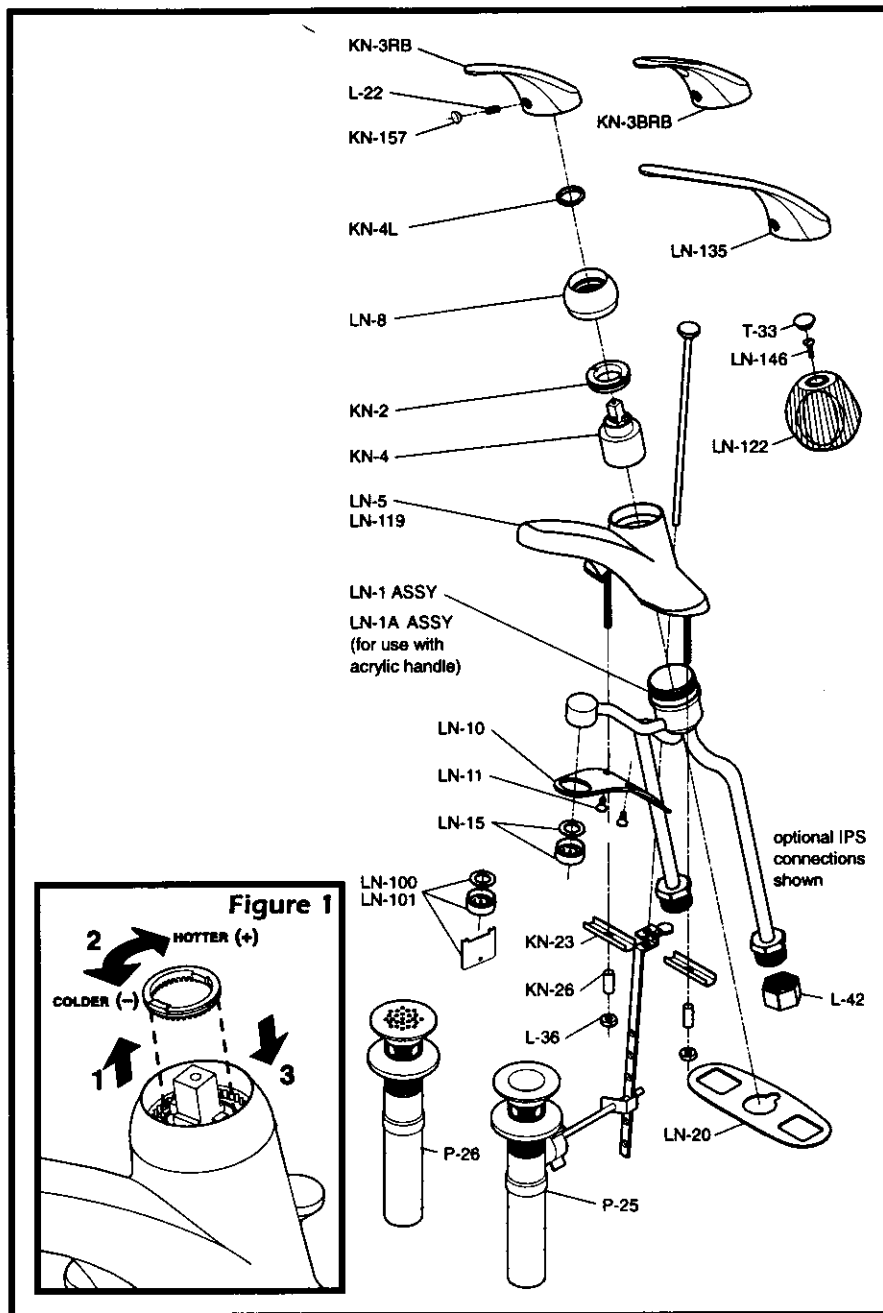
- Remove plug button (KN-157), loosen set screw (L-22) and remove handle (KN-3RB, KN-3BRB or LN-135) or plug button (T-33), screw (LN-146), and handle (LN-122).
- Engage tabs in cartridge wrench (LN-34) with slots in compression ring (KN-2) and use screwdriver in wrench holes or pliers on wrench and turn counter clockwise until compression ring engages with cap (LN-8). Continue turning counter clockwise so that cap/ring assembly is removed from the body (LN-1 ASSY or LN-1A ASSY). Remove cartridge and three ring seal (KN-4). Install new cartridge while taking care to maintain position of the three ring seal at the base of the cartridge. Match posts in base of cartridge with alignment holes in valve body during assembly. Reassemble faucet in reverse fashion. Thread cap onto body firmly by hand. Do not use a wrench which may damage the finish. Tighten compression ring (KN-2) finger tight using the wrench (LN-34) then 1/4 to 1/2 turn further. Set hot water limit stop in accordance with installation step 5 above.

Symmons

- KN-2 Compression ring
- KN-3RB* Solid handle
- KN-3BRB* Loop handle
- KN-4 Cartridge
- KN-4L Limit stop ring
- KN-23 Anchor bar (2)
- KN-26 Mounting spacer (2)
- KN-157 Plug button
- LN-1 ASSY Cartridge housing assembly
- LN-1A ASSY Cartridge housing assembly
- LN-5* Shell
- LN-8* Valve cap
- LN-10* Undercover plate
- LN-11* Screw (2)
- LN-15* Aerator
- LN-20 Mounting gasket
- LN-34 Cartridge wrench (not shown)
- LN-100 Aerator (vandal resistant 0.5 gpm)
- LN-101 Aerator (vandal resistant)
- LN-119 Shell (without lift-rod hole)
- LN-122 Acrylic Handle
- LN-135 6" lever handle with red/blue indicators
- LN-139 Undercover plate
- LN-146 Screw
- L-22 Set screw
- L-36 Mounting nut (2)
- L-42 Nut (2)
- P-25* Pop-up drain assembly (complete)
- P-26 Grid drain assembly (complete)
- T-33 Plug button

*For Decorative Finish Faucets add suffix to parts marked with an asterisk as follows:

- Suffix BRS: Polished brass finish
- Suffix AWT: White finish
- Suffix ALM: Almond finish



Limited Lifetime Guarantee

Symmons warrants to the original consumer purchaser that any TEMPTROL® or SYMMETRIX® product will be free of defects in material and workmanship during normal domestic use for the life of your home. All other purchasers including industrial, commercial or business use are warranted for a period of 5 years from the date of purchase.

At our option, we will either have you send the defective part or product prepaid to us for inspection, or we may elect to send you the replacement part or product without investigation. A replacement for any defective part will be supplied FREE OF CHARGE for installation by the purchaser. Defect or damage caused by the use of replacement parts other than Symmons Genuine Replacement Parts will void this warranty.

Symmons further warrants that any TEMPTROL or SYMMETRIX product will be leak free and drip free during normal domestic use for the life of your home. If the product should develop a leak or drip, Symmons will provide FREE OF CHARGE the parts necessary to return it to good working condition.

Proof of purchase (original sales receipt) and a copy of the warranty registration card from the original consumer purchaser must accompany all warranty claims. This warranty is applicable only to Symmons TEMPTROL or SYMMETRIX products purchased after July 1, 1998 and shall be effective from the date of purchase as shown on the purchaser's receipt.

Damage to the chrome and/or other decorative finishes on Symmons products may be a result of improper handling or abusive treatment. Finishes should only be cleaned with a soft, damp cloth or sponge. Use of polish, abrasive cleaners, solvents, or acid cleaners will damage the finish and void this warranty.

This warranty excludes product damage due to installation error, product abuse, or product misuse whether performed by a contractor, service company or yourself. There are no other express warranties on this product and ALL WARRANTIES OF MERCHANTABILITY AND OTHER IMPLIED WARRANTIES ARE LIMITED IN ACCORDANCE WITH APPLICABLE LAW. SYMMONS INDUSTRIES, INC., EXPRESSLY DISCLAIMS CONTINGENT LIABILITY AND CONSEQUENTIAL DAMAGE OF EVERY KIND. Since some states do not allow limitations on how long an implied warranty lasts or an exclusion or limitation of incidental or consequential damages, the above limitation or exclusion may not be applicable. This warranty gives specific legal rights. Other rights may vary from state to state.

To obtain warranty service, write to Symmons Industries, Inc., 31 Brooks Drive, Braintree, MA 02184-3804 or call our Customer Service Department at 1-800-SYMMONS. If writing to us, please include proof of purchase, the model number of the product with a brief description of the problem, your name, address and phone number.

SYMMONS INDUSTRIES, INC.
 31 Brooks Drive, Braintree, MA 02184-3804
 TEL: 1-800-SYMMONS, (781) 848-2250 FAX: 1-800-961-9621, (781) 843-3849
 Website: www.symmons.com

