



# T&S BRASS AND BRONZE WORKS, INC.

2 Saddleback Cove / P.O. Box 1088  
Travelers Rest, SC 29690



REG. #A2601  
ISO #9001

Model No.

**B-0133**

Item No.

This Space for Architect/Engineer Approval

Job Name \_\_\_\_\_ Date \_\_\_\_\_

Model Specified \_\_\_\_\_ Quantity \_\_\_\_\_

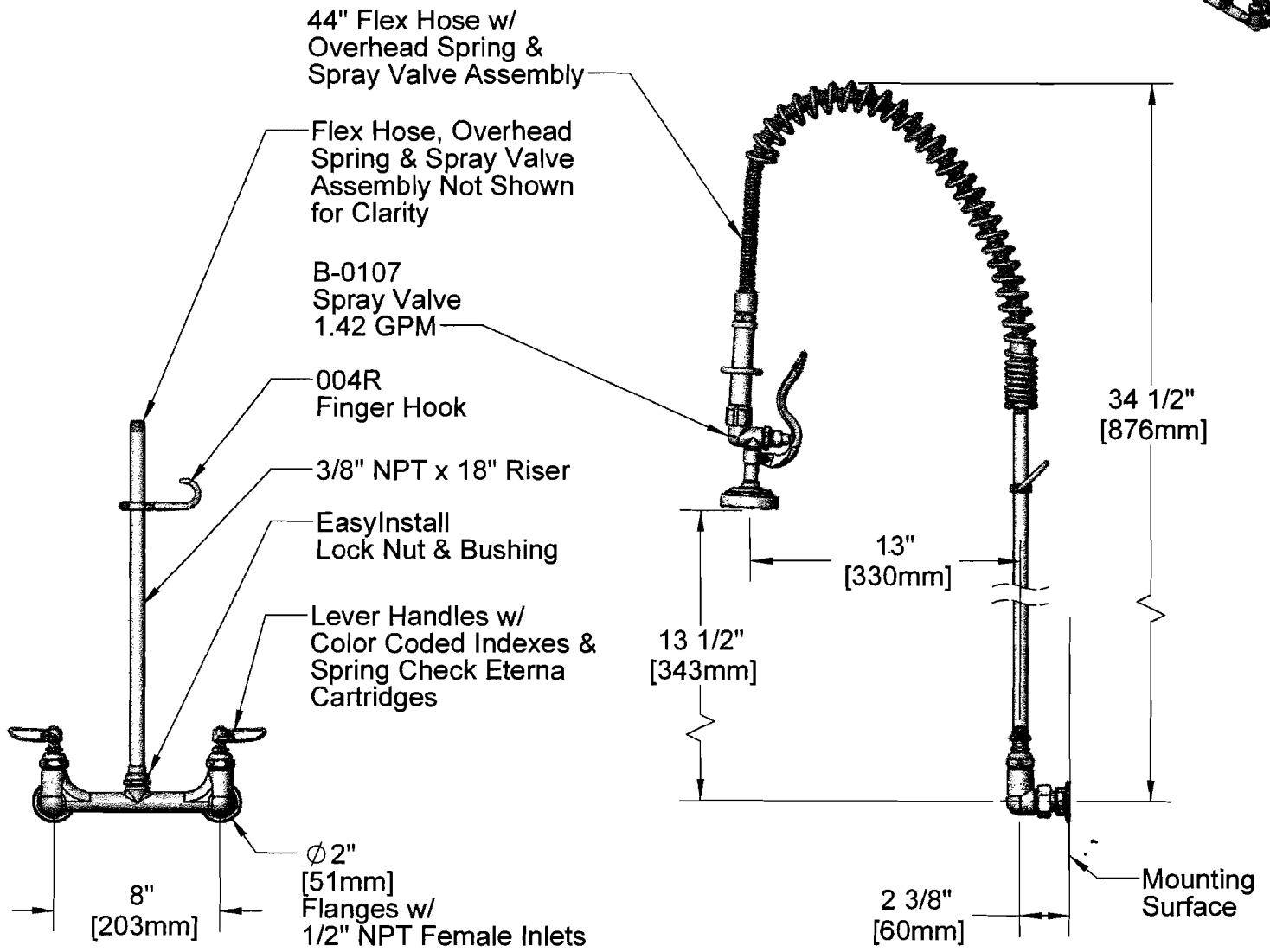
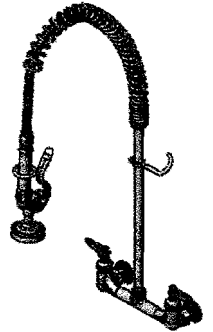
Customer/Wholesaler \_\_\_\_\_

Contractor \_\_\_\_\_

Architect/Engineer \_\_\_\_\_

## EPAct 2005 Compliant

Plumbing Parts Depot  
610-495-8790  
www.ppd1.biz



### Product Specifications:

**EasyInstall Pre-Rinse Unit:**  
8" c/c Wall Mount Mixing Faucet, 1/2" NPT Female Inlets,  
18" Riser, Overhead Spring, 44" Flex Hose & B-0107 Spray Valve

Drawn <b>KJG</b>	Checked <b>DHL</b>	Approved <b>JHB</b>
Scale: <b>1:8</b>		Date: <b>10/22/08</b>



**T&S BRASS AND BRONZE WORKS, INC.**

2 Saddleback Cove / P.O. Box 1088  
Travelers Rest, SC 29690



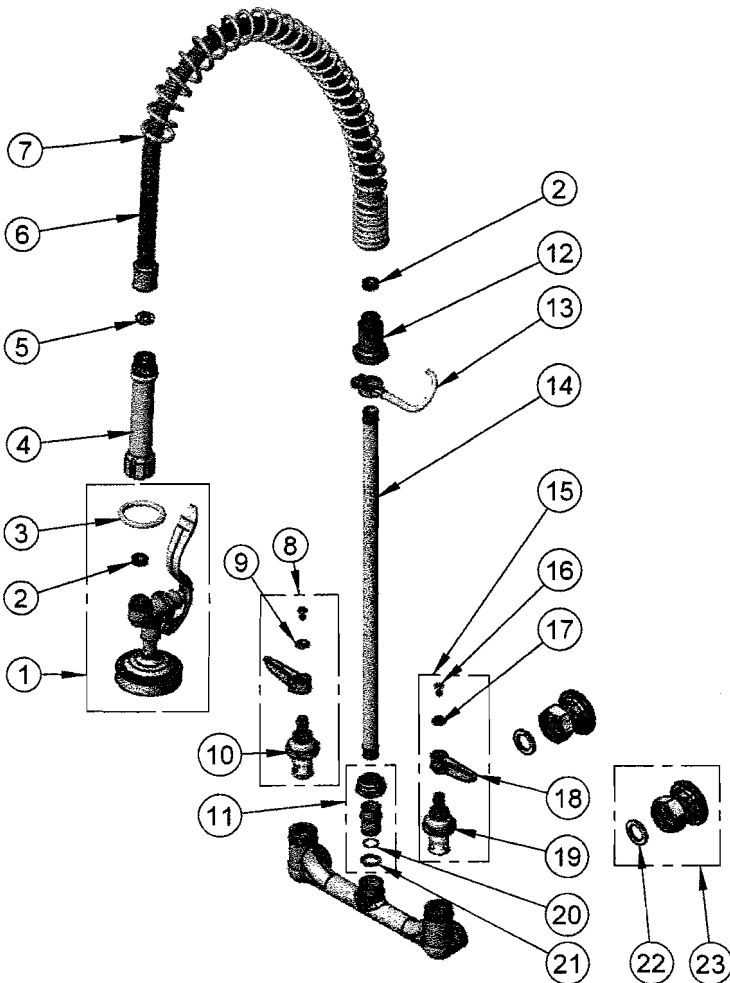
REG. #A2601  
ISO #9001

Model No.

**B-0133**

Item No.

Plumbing Parts Depot  
610-495-8790  
www.ppd1.biz

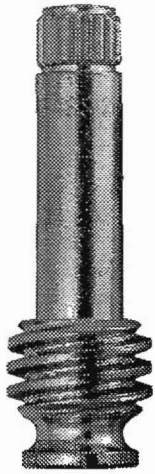


ITEM NO.	SALES NO.	DESCRIPTION
1	B-0107	Spray Valve Asm
2	010476-45	#27 Washer
3	000907-45	Spray Valve Hold Down Ring
4	002987-40	Grip Handle Assembly
5	001014-45	Washer, B-0100 Hose Barrel
6	B-0044-H2A	44" Flex Hose Assembly, Less Handle
7	000888-45	EasyInstall Overhead Spring
8	002712-40	Hot Eterna Spindle Assembly w/ Spring Check, Handle, Index & Screw
9	001661-45	Red Index-HW
10	012443-40	Hot Eterna Spindle Assembly w/ Spring Check
11	EZ-K	EasyInstall Kit: Bushing, O-Ring, Lock Washer & Loctite 222
12	000821-40	Spring Body
13	004R	Finger Hook Assembly
14	000369-40	3/8" NPT x 18" Long Riser
15	002711-40	Cold Eterna Spindle Assembly w/ Spring Check, Handle, Index & Screw
16	000922-45	Lever Handle Screw
17	001660-45	Blue Index-CW
18	001638-45	Lever Handle
19	012442-40	Cold Eterna Spindle Assembly w/ Spring Check
20	001065-45	O-Ring
21	014200-45	Star Washer, Anti-Rotation
22	001019-45	Coupling Nut Washer
23	00AA	Flange Assembly

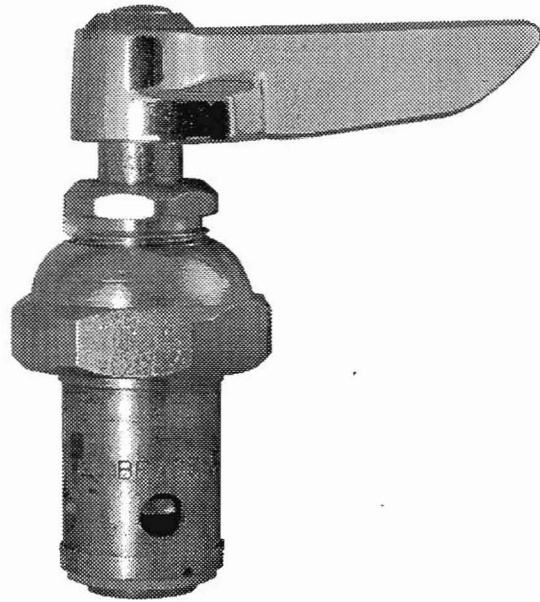
Product Specifications:

**EasyInstall Pre-Rinse Unit:**  
8" c/c Wall Mount Mixing Faucet, 1/2" NPT Female Inlets,  
18" Riser, Overhead Spring, 44" Flex Hose & B-0107 Spray Valve

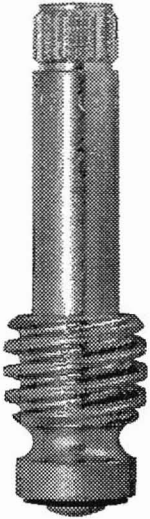
Drawn <b>KJG</b>	Checked <b>DHL</b>	Approved <b>JHB</b>
Scale: <b>NTS</b>		Date: <b>10/22/08</b>



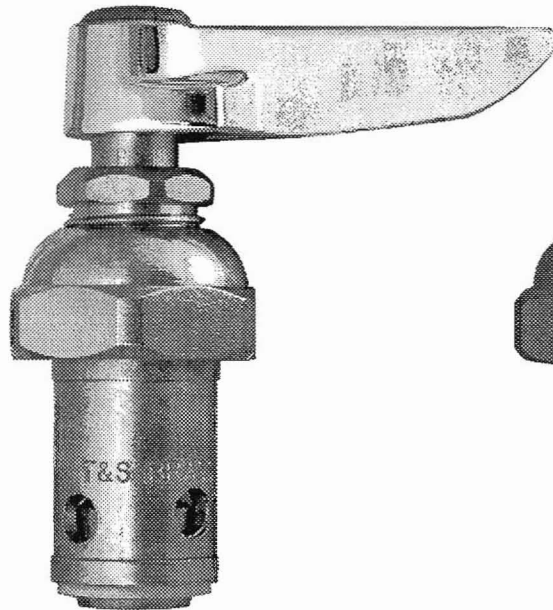
001908-25 Cold Stem Only  
for 002711-40  
001907-25 Hot Stem Only  
for 002712-40



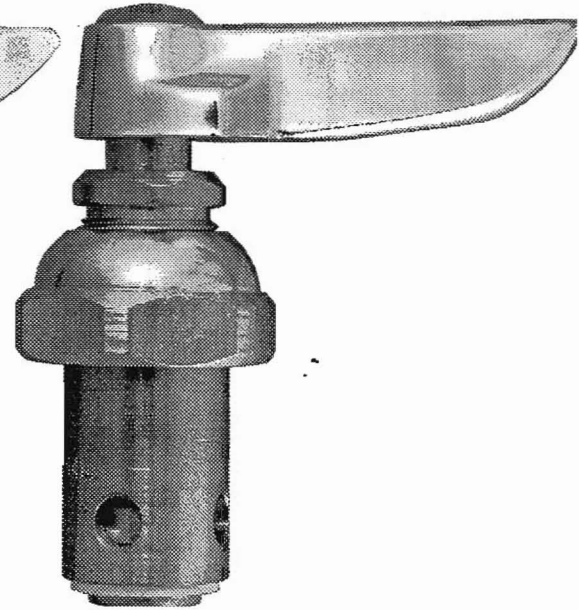
002711-40 Cold Spindle Assembly  
002712-40 Hot Spindle Assembly



000812-25 Cold Stem Only for  
002713-40  
000811-25 Hot Stem Only for  
002714-40



002713-40 Cold Spindle Assembly  
002714-40 Hot Spindle Assembly



020A Old Style Cold Spindle Assembly  
021A Old Style Hot Spindle Assembly