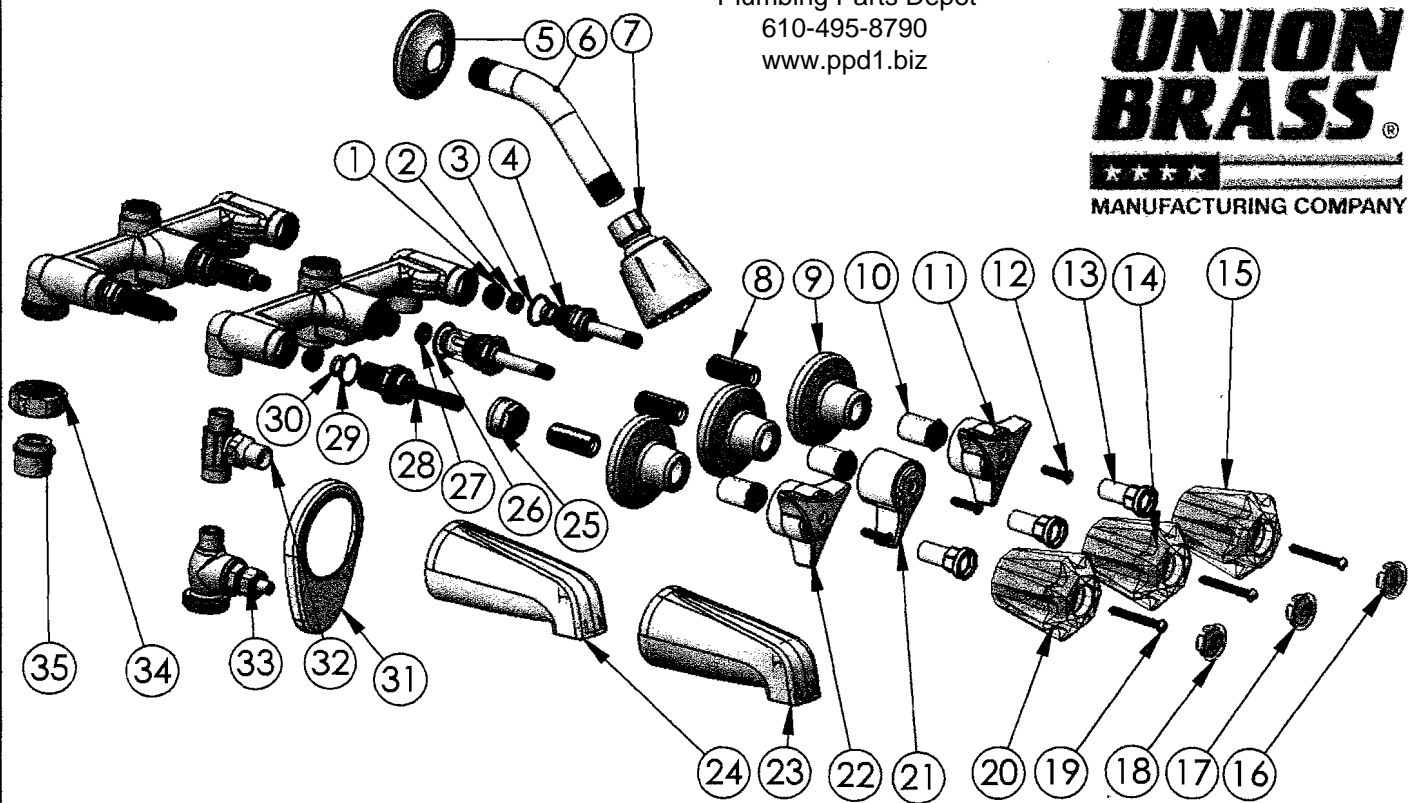


Model 30 & 31 3 - Valve Parts List

ITEM	PART #	DESCRIPTION	ITEM	PART #	DESCRIPTION
1.	13506	C-N-I Union	7.	12639	Seat
2.	11836	Coupling Nut, C-N-I Union	8.	11711	Nipple
3.	80379	HOT Handle Assembly	9.	11130	Escutcheon
	15179	Handle - H	10.	11709	Sleeve
	12427	Screw	11.	86553	Diverter Assembly
4.	80380	COLD Handle Assembly		12404	Screw
	15180	Handle - C		13801	Bibb Washer
	12427	Screw		12213	Sleeve O-Ring
5.	80384	Diverter Handle Assembly		15215	Sleeve
	15163	Handle - Diverter		15216	Bonnet Washer
	12427	Screw	12.	11209	Shower Arm Flange
6.	80039	RH Stem Assembly	13.	10752	Shower Arm
	12404	Screw	14.	12825	Shower Head
	13801	Bibb Washer	15.	12914	Spout
	13717	Bonnet Washer			



Model 30 & 530 8" spread three valve shower.

Item	Part#	Description	Item	Part#	Description
1	12639	Replaceable Seat	18	80877	Hot Acrylic Handle Cap
2	13801	Bib Washer	19	12466	Screw for Acrylic Handle
3	13717	Fiber Washer (Red)	20	80397	Hot Acrylic Handle Assembly
4	80039	Hot (Right Hand) Compression Valve	21	80384	Diverter Metal Handle Assembly
5	11209	Shower Arm Flange	22	80379	Hot Metal Handle Assembly
6	10752	Shower Arm	23	12914	Chrome Plated Zinc Spout
7	12825	Shower Head 2.5 GPM	24	12914-C	Chrome Plated Cast Brass Spout
8	11711	Nipple (Forged Zinc)	25	11885	Bonnet Nut (for 1/4 turn valve)
9	11130	Escutcheon (Valve Cover plate)	26	15216	Fiber Washer
10	11709	Escutcheon Hex Sleeve	27	13801	Bib Washer
11	80380	Cold Metal Handle Assembly	28	80081	Hot 1/4 Turn Valve Assy.
12	12427	Screw for Metal Handle	29	13717	Fiber Washer (Red)
13	15022	Hub	30	12274	O-Ring
14	80399	Diverter Acrylic Handle Assembly	31	11129	Integral Stop Escutcheon
15	80398	Cold Acrylic Handle Assembly	32	13006	Sweat Integral Stop Assy
16	80878	Cold Acrylic Handle Cap	33	13005	C-N-I Union Integral Stop Assy
17	80879	Diverter Acrylic Handle Cap	34	11836	Coupling Nut, for C-N-I Union
			35	13506	C-N-I Union Tailpiece