

# PARTS ILLUSTRATION GUIDE

## SECTION A

Model No.	Model Name	Service Years	Tank Height	Owners Manual	Tank Assembly Drawing No.	Page No.
4001/4004	Astoria Anti-Sweat 6.0Lpf/1.6gpf	8/96-Present	11"	1649	1	4
4002/4003	Astoria 6.0Lpf/1.6gpf	5/95-Present	11"	1649	1	4
4005/4006	Bordeau 6.0Lpf/1.6gpf	10/92-Present	9"	1601	2	4
4007	Tuscany 6.0Lpf/1.6gpf	5/96-Present	11 9/16"	1601	4	4
4009	Contempo 6.0Lpf/1.6gpf	2/94-Present	11 3/8"	1633	5	5
4012/4013	Saturn 3.5 gpf	8/87-10/90	10 1/4"	1646	6	5
4012/4013	Saturn 3.5 gpf	10/90-12/93	10 1/4"	1646	7	5
4015/4017/4072/4073	Polaris/Lunar 3.5 gpf	4/81-4/87	11 1/8"	1680	8	5
4015/4017/4072/4073	Polaris/Lunar 3.5 gpf	5/87-3/89	12 1/8"	1680	9	6
4019	Delano 3.5 gpf	6/83-12/93	11 5/8"	1660	10	6
4022/4023	Saturn 6.0Lpf/1.6gpf	12/89-12/95	9 5/8"	1644	7	5
4025/4026	Bordeau 3.5 gpf	12/89-12/93	9"	1641	3	4
4430	Amega Anti-Sweat 3.5 gpf	11/91-12/95	12"	1612	12	6
4431/4471	Mercury III 3.5 gpf	2/82-10/93	11 1/2"	1685	11	6
4437	Amega 3.5 gpf	2/89-12/95	12"	1612	13	7
4438	Taurus 3.5 gpf	2/89-12/93	12 3/8"	1612	16	7
4439	Taurus Anti-Sweat 3.5 gpf	7/89-12/93	12 3/8"	1612	16	7
4440/4470	New Venus 3.5 gpf	5/79-12/85	11"	1677	18	8
4441	Adara 3.5 gpf	3/91-12/93	12 7/8"	1608	19	8
4443	Farrington 6.0Lpf/1.6gpf	2/94-Present	12 1/4"	1608	21	8
4445	Saturn 3.5 gpf	2/87-7/90	12"	1608	22	9
4445	Saturn 3.5 gpf	8/90-12/93	12"	1608	23	9
4450	Vintage Lace 6.0Lpf/1.6gpf	3/92-Present	12"	1648	24	9
4451	Apollo 6.0Lpf/1.6gpf	12/93-12/96	12"	1602	25	9
4458	New Castle 3.5 gpf	1/79-11/86	13"	1678	26	10
4459	New Castle 3.5 gpf	10/84-11/86	13"	1677	27	10
4459	New Castle 3.5 gpf	11/86-5/90	13"	1677	27	10
4459	New Castle 3.5 gpf	5/90-12/93	13"	1677	27	10
4460	Amega Anti-Sweat 6.0Lpf/1.6gpf	3/91-Present	12"	1612	13	7
4461	Adara 6.0Lpf/1.6gpf	4/94-Present	12 7/8"	1608	20	8
4462	Amega Powerflush 6.0Lpf/1.6gpf	10/92-10/95	12"	1600	14	7
4463 (42 & 3)	Amega Powerflush 6.0Lpf/1.6gpf	11/95-Present	12"	1600	15	7
4464	Saturn 6.0Lpf/1.6gpf	4/94-Present	12"	1608	23	9
4465	Nostalgia 6.0Lpf/1.6gpf	3/92-Present	12"	1648	24	9
4467	Amega 6.0Lpf/1.6gpf	11/89-Present	12"	1612	13	7
4468	Taurus 6.0Lpf/1.6gpf	11/89-Present	12 3/8"	1612	17	8
4469	Taurus Anti-Sweat 6.0Lpf/1.6gpf	4/90-Present	12 3/8"	1612	17	8
4470	Astoria 6.0Lpf/1.6gpf	2/95-Present	12"	1612	28	10
4471	Atlas 6.0Lpf/1.6gpf	3/96-Present	11"	1642	29	11
4472	Atlas 10" 6.0Lpf/1.6gpf	9/96-Present	11"	1642	29	11
4473	Atlas 14" 6.0Lpf/1.6gpf	9/96-Present	11"	1642	29	11
4474	Atlas Anti-Sweat 6.0Lpf/1.6gpf	9/96-Present	11"	1642	29	11
4479	Astoria Anti-Sweat 6.0Lpf/1.6gpf	8/96-Present	12"	1642	28	10
4481	Atlas 3.5 gpf	7/83-2/92	11 1/2"	1686	30	11
4481	Atlas 3.5 gpf	3/92-12/96	12 1/4"	1686	30	11
4482	Atlas 10" 3.5 gpf	4/88-12/96	11 3/4"	1686	30	11
4483	Atlas 14" 3.5 gpf	3/88-12/96	11 3/4"	1686	30	11
4484	Atlas Anti-Sweat 3.5 gpf	3/88-12/96	11 3/4"	1686	30	11
4485	Carlton 3.5 gpf	11/89-12/96	11 3/4"	1686	32	12
4490/4496	Atlas 6.0Lpf/1.6gpf	10/88-12/96	10 1/8"	1642	31	12
4491	Athens 6.0Lpf/1.6gpf	11/94-Present	12"	1642	33	12
4492	Atlas 10" 6.0Lpf/1.6gpf	10/88-12/96	11 3/4"	1642	31	12
4493	Atlas 14" 6.0Lpf/1.6gpf	10/88-12/96	11 3/4"	1642	31	12
4494	Atlas Anti-Sweat 6.0Lpf/1.6gpf	10/88-12/96	11 3/4"	1642	31	12

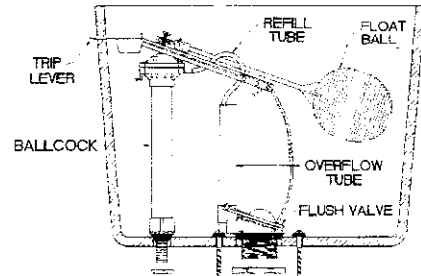


# TANK ASSEMBLY DRAWINGS

## SECTION B

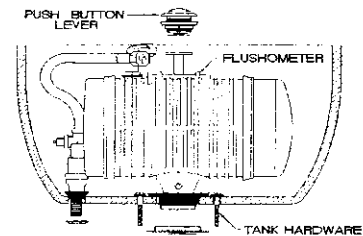
Model & Service Years	Component Description	Part Number (Original)	Replacement Part Number	Part Drawing Reference	
				Page #	Figure #
<b>4437</b> <b>Amega 3.5gpf</b>  <b>2/89-12/95</b>	Ballcock	108	108	14	35
	Flush Valve	238/239	239	22	43
	Float Rod	121	121	26	49
	Float Ball	102	102	26	49
	Trip Lever	334*	334*	28	62
<b>4467</b> <b>Amega 1.6gpf</b>  <b>11/89-Present</b>	Ballcock	106	106	13	34
	Flush Valve	242	242	22	43
	Float Rod	126	126	26	49
	Float Ball	102	102	26	49
	Trip Lever	334*	334*	28	62
<b>4460</b> <b>Amega Anti-Sweat 1.6gpf</b>  <b>3/91-Present</b>	Ballcock	106	106	13	34
	Flush Valve	245	245	21	42
	Float Rod	121	121	26	49
	Float Ball	102	102	26	49
	Trip Lever	334*	334*	28	62

**FIGURE 13**

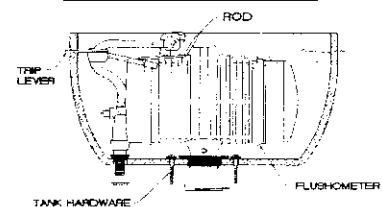


Model & Service Years	Component Description	Part Number (Original)	Replacement Part Number	Part Drawing Reference	
				Page #	Figure #
<b>4462</b> <b>Amega Powerflush 1.6 gpf</b> <b>10/92-10/95</b>	Ballcock	501A	501A	30	72
	Flush Valve	N/A	N/A		
	Float Rod	N/A	N/A		
	Float Ball	N/A	N/A		
	Trip Lever	338	338	28	64
<b>4463</b> <b>Amega Powerflush 1.6 gpf</b> <b>11/95-Present</b>	Ballcock	501A	501A	30	72
	Flush Valve	N/A	N/A		
	Float Rod	117/118	117/118	30	72
	Float Ball	N/A	N/A		
	Trip Lever	312*	312*	27	54

**FIGURE 14**

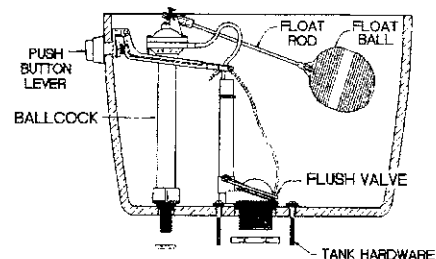


**FIGURE 15**



**FIGURE 16**

Model & Service Years	Component Description	Part Number (Original)	Replacement Part Number	Part Drawing Reference	
				Page #	Figure #
<b>4438</b> <b>Taurus 3.5gpf</b>  <b>2/89-12/93</b>	Ballcock	137	137	13	34
	Flush Valve	253	253	22	43
	Float Rod	126	126	26	49
	Float Ball	102	102	26	49
	Trip Lever	333*	333*	28	61
<b>4439</b> <b>Taurus Anti-Sweat 3.5gpf</b>  <b>7/89-12/93</b>	Ballcock	137	137	13	34
	Flush Valve	253	253	22	43
	Float Rod	126	126	26	49
	Float Ball	102	102	26	49
	Trip Lever	333*	333*	28	61

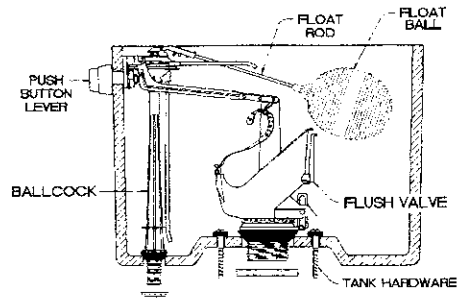


# TANK ASSEMBLY DRAWINGS

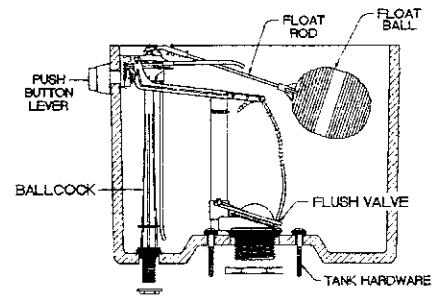
## SECTION B

Model & Service Years	Component Description	Part Number (Original)	Replacement Part Number	Part Drawing Reference	
				Page #	Figure #
<b>4445</b> <b>Saturn</b> <b>3.5 gpf</b> <b>2/87-7/90</b>	Ballcock	135B	135B	16	37
	Flush Valve	268/276	268/276	25	47
	Float Rod	121	121	26	49
	Float Ball	102	102	26	49
	Trip Lever	335/327*	327*	27	59
<b>4445</b> <b>Saturn</b> <b>3.5 gpf</b> <b>8/90-12/93</b>	Ballcock	135D	135D	16	37
	Flush Valve	253	253	22	43
	Float Rod	121	121	26	49
	Float Ball	102	102	26	49
	Trip Lever	327*	327*	27	59
<b>4464</b> <b>Saturn</b> <b>1.6 gpf</b> <b>4/94-Present</b>	Ballcock	137	137	13	34
	Flush Valve	237	237	20	41
	Float Rod	120	120	26	49
	Float Ball	102	102	26	49
	Trip Lever	327*	327*	27	59

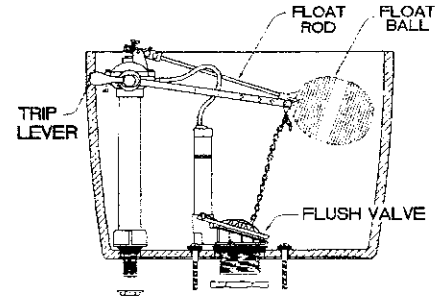
**FIGURE 22**



**FIGURE 23**

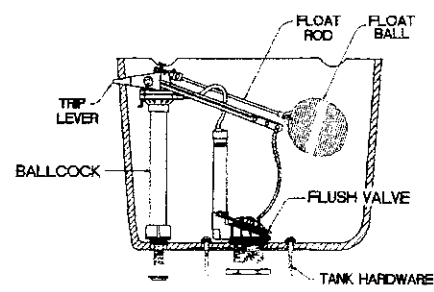


**FIGURE 24**



Model & Service Years	Component Description	Part Number (Original)	Replacement Part Number	Part Drawing Reference	
				Page #	Figure #
<b>4450</b> <b>Vintage Lace</b> <b>1.6 gpf</b> <b>3/92-Present</b>	Ballcock	137	137	13	34
	Flush Valve	237	237	20	41
	Float Rod	121	121	26	49
	Float Ball	102	102	26	49
	Trip Lever	324*	324*	27	57
<b>4465</b> <b>Nostalgia</b> <b>1.6 gpf</b> <b>3/92-Present</b>	Ballcock	137	137	13	34
	Flush Valve	237	237	20	41
	Float Rod	121	121	26	49
	Float Ball	102	102	26	49
	Trip Lever	324*	324*	27	57

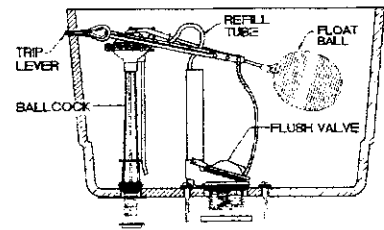
**FIGURE 25**



# TANK ASSEMBLY DRAWINGS

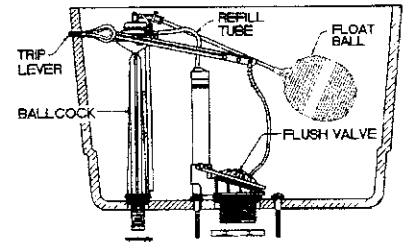
## SECTION B

### FIGURE 26

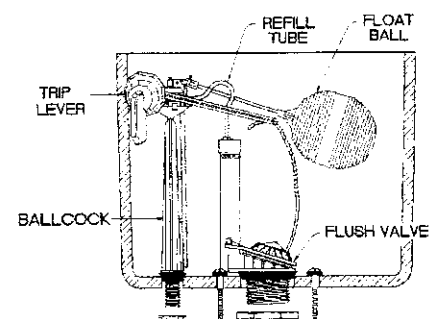


Model & Service Years	Component Description	Part Number (Original)	Replacement Part Number	Part Drawing Reference	
				Page #	Figure #
<b>4458</b> New Castle 3.5gpf  1/79-11/86	Ballcock	203/205	205D	16	37
	Flush Valve	256	239	22	43
	Float Rod	126	126	26	49
	Float Ball	103/102	102	26	49
	Trip Lever	354/372	311	26	53
<b>4459</b> New Castle 3.5gpf  10/84-11/86	Ballcock	170	130	16	37
	Flush Valve	256/257	234	21	42
	Float Rod	N/A	126	26	49
	Float Ball	N/A	102	26	49
	Trip Lever	354	311	26	53
<b>4459</b> New Castle 3.5gpf  11/86-5/90	Ballcock	205	205D	16	37
	Flush Valve	256	239	22	43
	Float Rod	126	126	26	49
	Float Ball	102	102	26	49
	Trip Lever	355	311	26	53
<b>4459</b> New Castle 3.5gpf  5/90-12/93	Ballcock	144/145	144/145	13/14	34/35
	Flush Valve	252/253	252/253	21/22	42/43
	Float Rod	120	121	26	49
	Float Ball	102	102	26	49
	Trip Lever	355	311	26	53

### FIGURE 27



### FIGURE 28



Model & Service Years	Component Description	Part Number (Original)	Replacement Part Number	Part Drawing Reference	
				Page #	Figure #
<b>4470</b> Astoria 1.6gpf  2/95-Present	Ballcock	138	138	14	35
	Flush Valve	230	230	21	42
	Float Rod	119	119	26	49
	Float Ball	102	102	26	49
	Trip Lever	303*	303*	26	51
<b>4479</b> Astoria Anti-Sweat 1.6gpf  8/96-Present	Ballcock	138	138	14	35
	Flush Valve	230	230	21	42
	Float Rod	119	119	26	49
	Float Ball	102	102	26	49
	Trip Lever	303*	303*	26	51

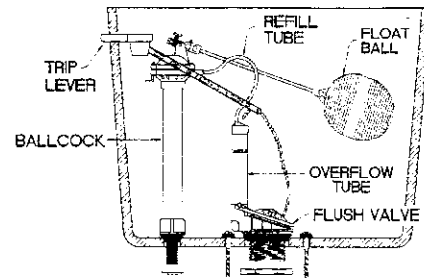
**Plumbing Parts Depot**  
800-448-8977 [www.ppd1.biz](http://www.ppd1.biz)

# TANK ASSEMBLY DRAWINGS

## SECTION B

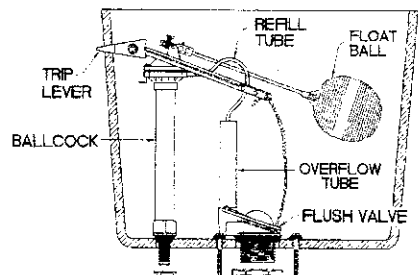
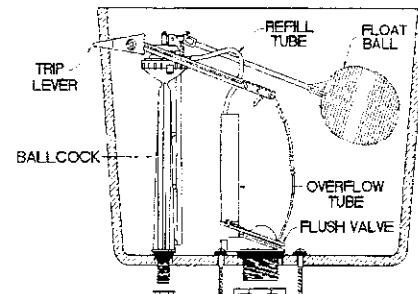
Model & Service Years	Component Description	Part Number (Original)	Replacement Part Number	Part Drawing Reference	
				Page #	Figure #
<b>4471</b> Atlas 1.6gpf  3/96-Present	Ballcock	148/149	148/149	14/13	35/34
	Flush Valve	270/269	270/269	21/22	42/43
	Float Rod	129/120	129/120	26	49
	Float Ball	102	102	26	49
	Trip Lever	344*	344*	28	65
<b>4472</b> Atlas 10" 1.6gpf  9/96-Present	Ballcock	148/149	148/149	14/13	35/34
	Flush Valve	270/269	270/269	21/22	42/43
	Float Rod	129/120	129/120	26	49
	Float Ball	102	102	26	49
	Trip Lever	344*	344*	28	65
<b>4473</b> Atlas 14" 1.6gpf  9/96-Present	Ballcock	148/149	148/149	14/13	35/34
	Flush Valve	270/269	270/269	21/22	42/43
	Float Rod	129/120	129/120	26	49
	Float Ball	102	102	26	49
	Trip Lever	344*	344*	28	65
<b>4474</b> Atlas Anti-Sweat 1.6gpf  9/96-Present	Ballcock	148/149	148/149	14/13	35/34
	Flush Valve	270/269	270/269	21/22	42/43
	Float Rod	129/120	129/120	26	49
	Float Ball	102	102	26	49
	Trip Lever	344*	344*	28	65

**FIGURE 29**



Model & Service Years	Component Description	Part Number (Original)	Replacement Part Number	Part Drawing Reference	
				Page #	Figure #
<b>4481</b> Atlas 3.5gpf  7/83-2/92	Ballcock	144/145	144/145	13/14	34/35
	Flush Valve	252/253	252/253	21/22	42/43
	Float Rod	120	121	26	49
	Float Ball	102	102	26	49
	Trip Lever	340**	341*	28	63
<b>4481</b> Atlas 3.5gpf  3/92-12/96	Ballcock	142/143	142/143	14/13	35/34
	Flush Valve	238/239	239	22	43
	Float Rod	120	120	26	49
	Float Ball	102	102	26	49
	Trip Lever	341*	341*	28	63
<b>4482</b> Atlas 10" 3.5gpf  4/88-12/96	Ballcock	144/145	144/145	13/14	34/35
	Flush Valve	252/253	252/253	21/22	42/43
	Float Rod	120	120	26	49
	Float Ball	102	102	26	49
	Trip Lever	341*	341*	28	63
<b>4483</b> Atlas 14" 3.5gpf  3/88-12/96	Ballcock	139	139/144	13	34
	Flush Valve	253	253	22	43
	Float Rod	120	120	26	49
	Float Ball	102	102	26	49
	Trip Lever	341*	341*	28	63
<b>4484</b> Atlas Anti-Sweat 3.5gpf  3/88-12/96	Ballcock	144/145	144/145	13/14	34/35
	Flush Valve	252/253	252/253	21/22	42/43
	Float Rod	120	120	26	49
	Float Ball	102	102	26	49
	Trip Lever	341*	341*	28	63

**FIGURE 30**



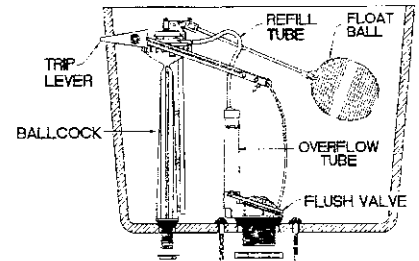
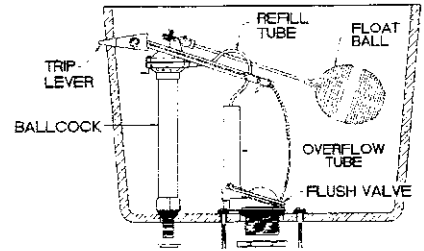
Note: Tank design may be a variation of either view.

# TANK ASSEMBLY DRAWINGS

## SECTION B

### FIGURE 31

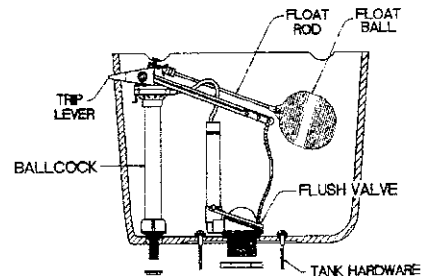
Model & Service Years	Component Description	Part Number (Original)	Replacement Part Number	Part Drawing Reference	
				Page #	Figure #
4490/4496 Atlas 1.6gpf  10/88-12/96	Ballcock	104/105	104/105	13/14	34/35
	Flush Valve	242/244	242/244	22/21	43/42
	Float Rod	120	120	26	49
	Float Ball	102	102	26	49
	Trip Lever	341*	341*	28	63
4492 Atlas 10" 1.6gpf  10/88-12/96	Ballcock	104/105	104/105	13/14	34/35
	Flush Valve	242/244	242/244	22/21	43/42
	Float Rod	120	120	26	49
	Float Ball	102	102	26	49
	Trip Lever	341*	341*	28	63
4493 Atlas 14" 1.6gpf  10/88-12/96	Ballcock	104/105	104/105	13/14	34/35
	Flush Valve	242/244	242/244	22/21	43/42
	Float Rod	120	120	26	49
	Float Ball	102	102	26	49
	Trip Lever	341*	341*	28	63
4494 Atlas Anti-Sweat 1.6gpf  10/88-12/96	Ballcock	104	104	13	34
	Flush Valve	242	242	22	43
	Float Rod	120	120	26	49
	Float Ball	102	102	26	49
	Trip Lever	341*	341*	28	63



Note: Tank design may be a variation of either view.

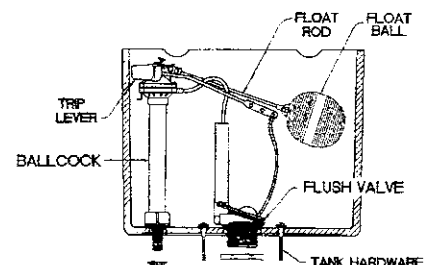
### FIGURE 32

Model & Service Years	Component Description	Part Number (Original)	Replacement Part Number	Part Drawing Reference	
				Page #	Figure #
4485 Carlton 3.5gpf  11/89-12/96	Ballcock	137/144	137/144	13	34
	Flush Valve	252/253	252/253	21/22	42/43
	Float Rod	121	120	26	49
	Float Ball	102	102	26	49
	Trip Lever	341*	341*	28	63



### FIGURE 33

Model & Service Years	Component Description	Part Number (Original)	Replacement Part Number	Part Drawing Reference	
				Page #	Figure #
4491 Athens 1.6 gpf  11/94-Present	Ballcock	104/105	104/105	13/14	34/35
	Flush Valve	242/244	242/244	22/21	43/42
	Float Rod	127	127	26	49
	Float Ball	102	102	26	49
	Trip Lever	300*	300*	26	50



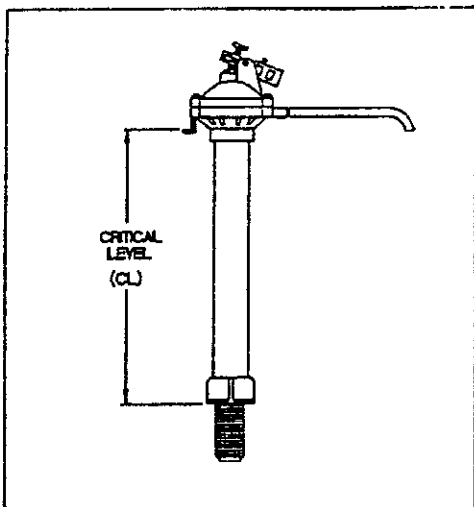
# SUB COMPONENT DRAWINGS

## BALLCOCK ASSEMBLY Part Nos. 104, 106, 133, 137, 139, 143, 144, 149

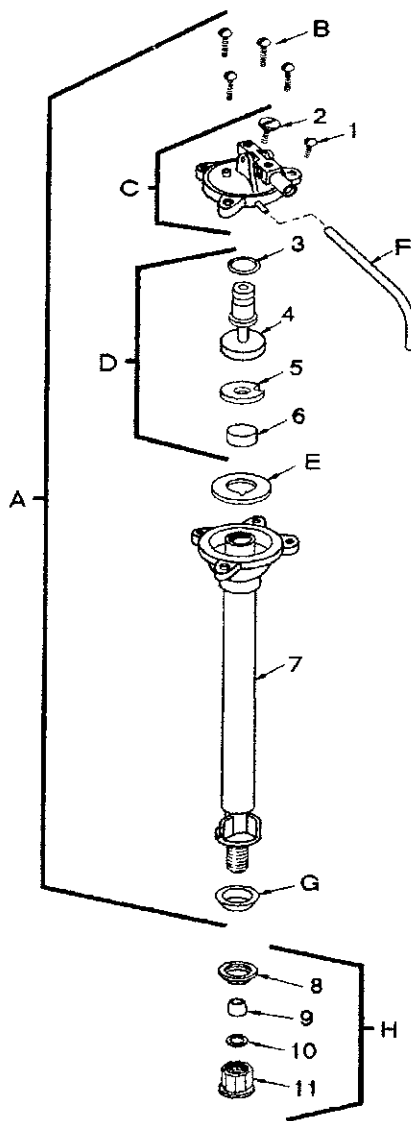
KEY NO.	DESCRIPTION	PART NO.							
		104	106	133	137	139	143	144	149
A	<b>Ballcock Assembly</b>								
CL	C-L Critical Level Height	7-1/2"	8-1/4"	7-1/2"	9-1/8"	8-5/8"	10"	9-1/8"	8"
B	Brass Screws (4 Required)	A807	A807	A807	A807	A807	A807	A807	A807
C	Ballcock Head Assembly	A803	A803	A803	A803	A803	A803	A803	A803
D	Plunger Assembly	A801	A801	A801	A801	A801	A801	A801	A801
E	Rubber Diaphragm 2-15/16"	A800	A800	A800	A800	A800	A800	A800	A800
F	Refill Tube	A802	A802	A802	A802	A802	A802	A802	A802
G	Shank Washer	A334	A334	A334	A334	A334	A334	A334	A334
H	Coupling Nut Assembly	A267	A267	A267	A267	A267	A267	A267	A267

The Following Items Are Not Sold Separately

- 1 Flow Adjustment Screw
- 2 Float Adjustment Screw
- 3 O-Ring
- 4 Plunger
- 5 Washer
- 6 Plunger Disc
- 7 Ballcock Shank
- 8 Locknut
- 9 Washer
- 10 Friction Ring
- 11 Coupling Nut



**FIGURE 34**



Plumbing Parts Depot  
 800-448-8977  
 www.ppd1.biz

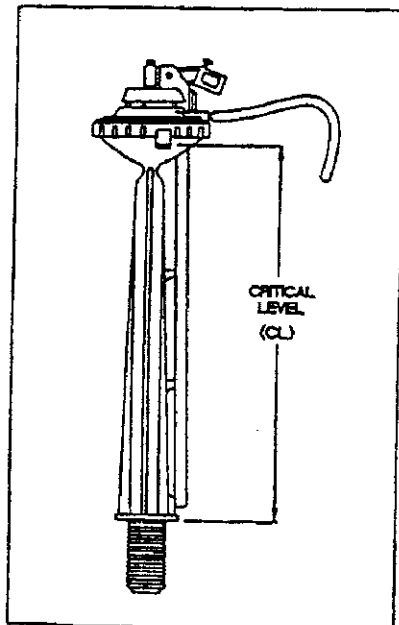
# SUB COMPONENT DRAWINGS

## BALLCOCK ASSEMBLY Part Nos. 105, 108, 138, 141, 142, 145, 148

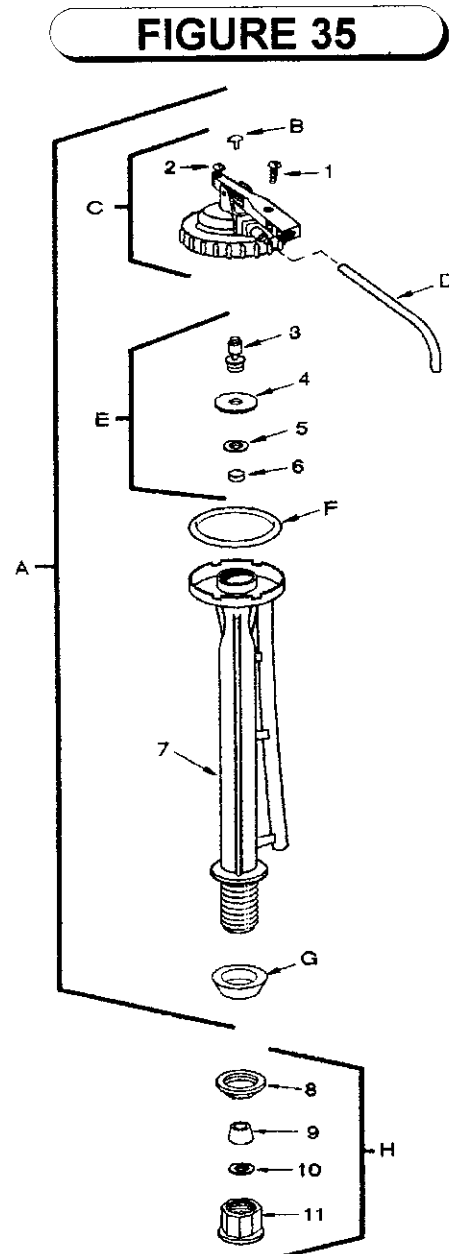
KEY NO.	DESCRIPTION	PART NO.						
		105	108	138	141	142	145	148
A	<b>Ballcock Assembly</b>							
CL	C-L Critical Level Height	7-1/2"	9-1/2"	8-1/4"	8-5/8"	10"	9-1/2"	8-1/8"
B	Lock Key	A420	A420	A420	A420	A420	A420	A420
C	Ballcock Head Assembly	A421	A421	A421	A421	A421	A421	A421
D	Refill Tube	A802	A802	A802	A802	A802	A802	A802
E	Plunger Assembly	A422	A422	A422	A422	A422	A422	A422
F	Rubber Seal	A425	A425	A425	A425	A425	A425	A425
G	Shank Washer	A334	A334	A334	A334	A334	A334	A334
H	Coupling Nut Assembly	A267	A267	A267	A267	A267	A267	A267

**The Following Items Are Not Sold Separately**

- 1 Flow Adjustment Screw
- 2 Float Adjustment Screw
- 3 Plunger
- 4 Rubber Diaphragm 1-5/8"
- 5 Plunger Diaphragm 1-1/8"
- 6 Plunger Disc
- 7 Ballcock Shank
- 8 Locknut
- 9 Washer
- 10 Friction Ring
- 11 Coupling Nut



**FIGURE 35**



**Plumbing Parts Depot**  
 800-448-8977  
 www.ppd1.biz

# SUB COMPONENT DRAWINGS

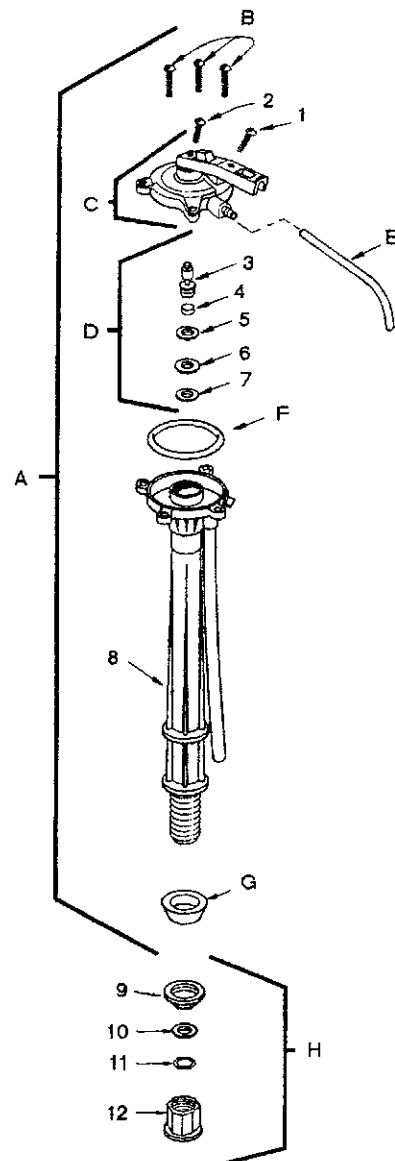
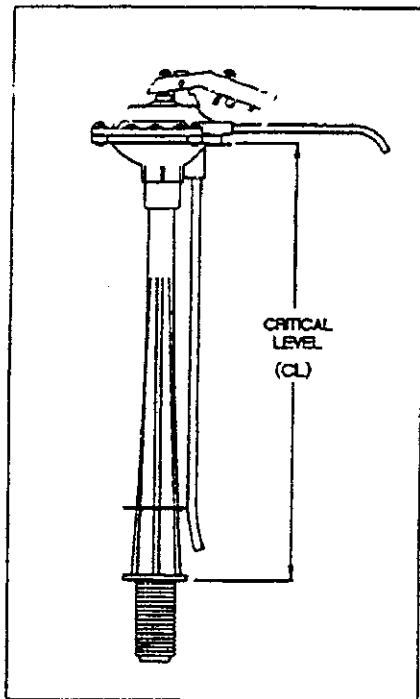
## BALLCOCK ASSEMBLY Part Nos. 130, 134C, 135B, 135D, 205D

KEY NO.	DESCRIPTION	PART NO.				
		130	134C	135B	135D	205D
A	<b>Ballcock Assembly</b>	130	134C	135B	135D	205D
CL	C-L Critical Level Height	8-1/2"	7-1/2"	10-1/8"	10-1/8"	10-1/4"
B	Brass Screws	A261	A261	A261	A261	A261
C	Ballcock Head Assembly	A600	A600	A262	A600	A600
D	Plunger Assembly	A255	A255	A255	A255	A255
E	Refill Tube	A802	A802	A399	A802	A802
F	Rubber Seal	A239	A239	A239	A239	A239
G	Shank Washer	A334	A334	A334	A334	A334
H	Coupling Nut Assembly	A267	A267	A267	A267	A267

**The Following Items Are Not Sold Separately**

- 1 Flow Adjustment Screw
- 2 Float Adjustment Screw
- 3 Plunger
- 4 Plunger Disc
- 5 Rubber Diaphragm 1-1/2"
- 6 Plunger Diaphragm 1-1/4"
- 7 Plunger Gasket
- 8 Ballcock Shank with Tube
- 9 Locknut
- 10 Washer
- 11 Friction Ring
- 12 Coupling Nut

**FIGURE 37**



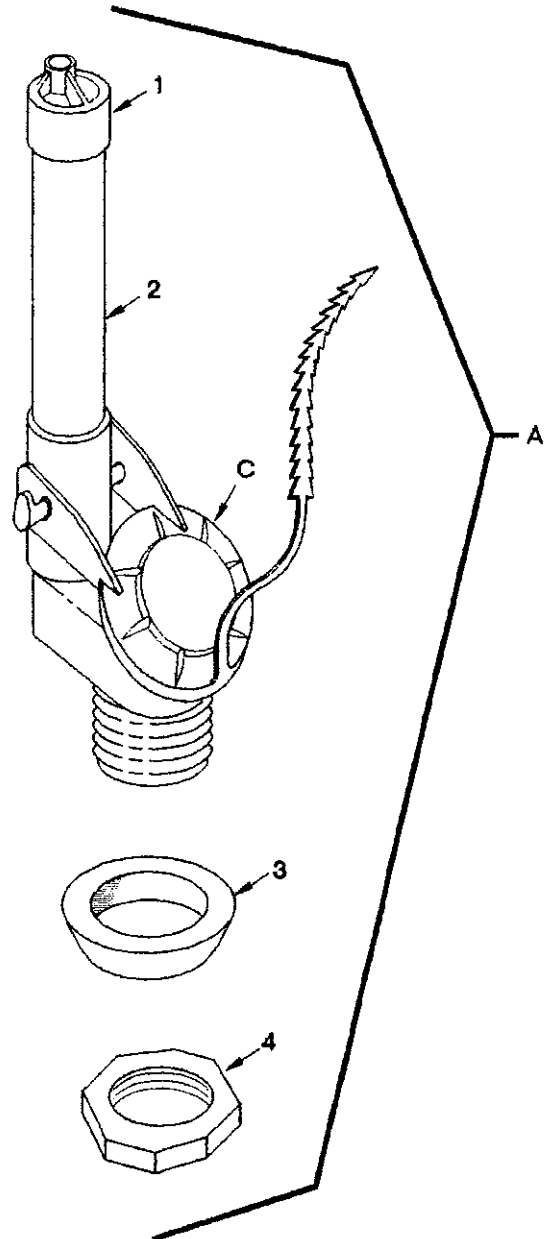
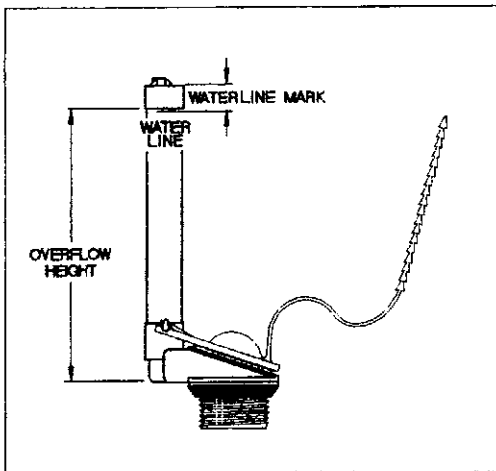
Plumbing Parts Depot  
 800-448-8977  
 www.ppd1.biz

# SUB COMPONENT DRAWINGS

## FLUSH VALVE ASSEMBLY Part Nos. 230, 234, 244, 245, 252, 270

KEY NO.	DESCRIPTION	PART NO.					
		230	234	244	245	252	270
A	Flush Valve Assembly	230	234	244	245	252	270
	Overflow Height	6-3/4"	8-1/8"	8-1/2"	6-1/2"	7-5/8"	6-5/8"
	Waterline Mark	1"	1-3/4"	3/4"	1"	7/8"	1-1/2"
B	Flapper	FP55	FP55	FP55	FP55	FP55	FP55
<b>The Following Items Are Not Sold Separately</b>							
1	Cap						
2	Overflow Tube						
3	Cone Gasket						
4	Locknut						

**FIGURE 42**



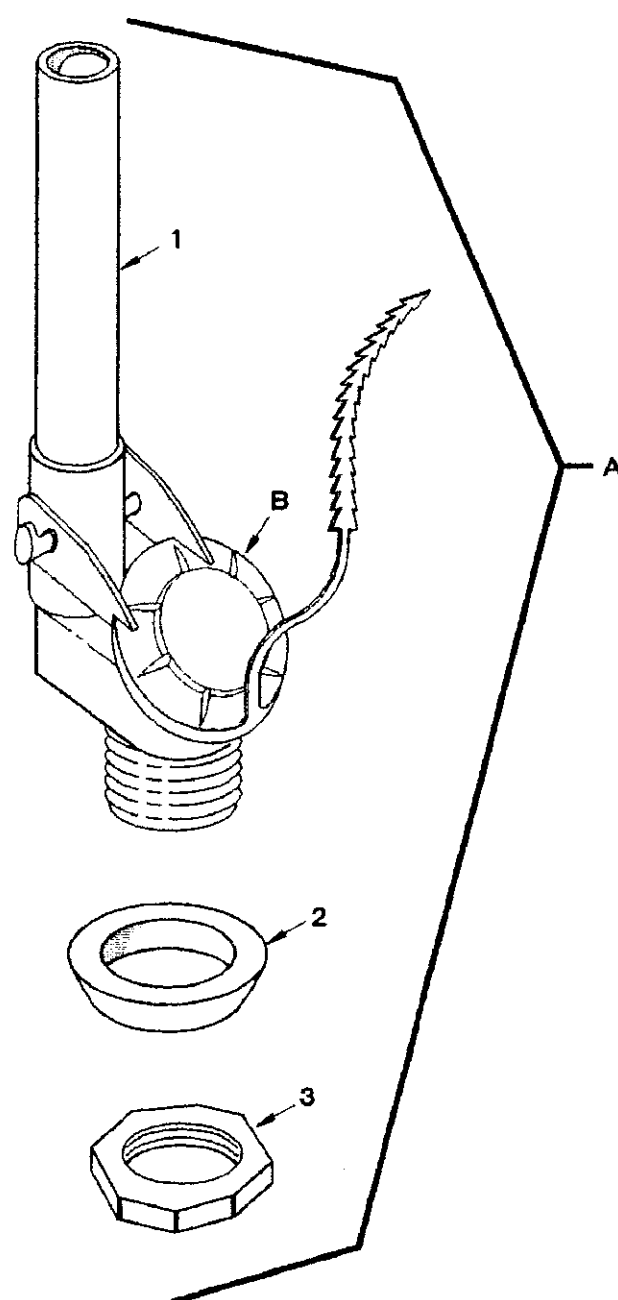
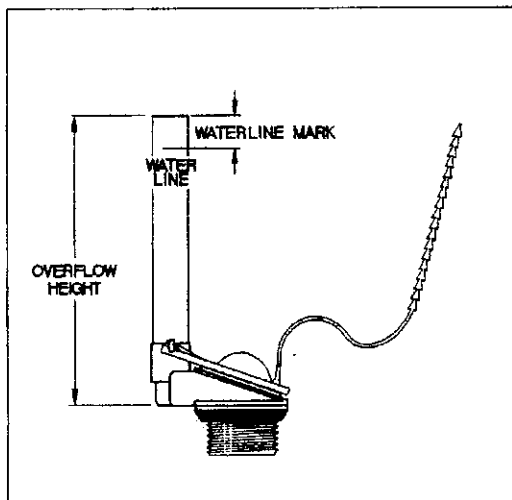
Plumbing Parts Depot  
800-448-8977  
www.ppd1.biz

# SUB COMPONENT DRAWINGS

## FLUSH VALVE ASSEMBLY Part Nos. 239, 240, 242, 248, 253, 269

KEY NO.	DESCRIPTION	PART NO.					
		239	240	242	248	253	269
A	Flush Valve Assembly						
	Overflow Height	8-1/2"	8-1/8"	6-1/8"	8-1/2"	6-13/16"	6-5/8"
	Waterline Mark	5/8"	1-3/8"	1"	3/8"	7/8"	1-5/16"
B	Flapper	FP55	FP55	FP55	FP55	FP55	FP55
<b>The Following Items Are Not Sold Separately</b>							
1	Overflow Tube						
2	Cone Gasket						
3	Locknut						

**FIGURE 43**



Plumbing Parts Depot  
 800-448-8977  
 www.ppd1.biz

# SUB COMPONENT DRAWINGS

## SECTION C

**TILT VALVE ASSEMBLY** Part Nos. 275, 276  
**PINION HOLDER** Part Nos. 258, 268

Plumbing Parts Depot  
 800-448-8977

www.ppd1.biz

www.plumbingpartsdepot.com

KEY NO.	DESCRIPTION	FIGURE 46	FIGURE 47
		PART NO.	
A	Flush Valve Assembly	275	276
	Overflow Level	6-1/2"	7"
	Waterline Mark	1"	1"
B	Lift Strap	A775	A775
C	Rubber Disc	263	263
D*	Pinion Holder Assembly	258	268

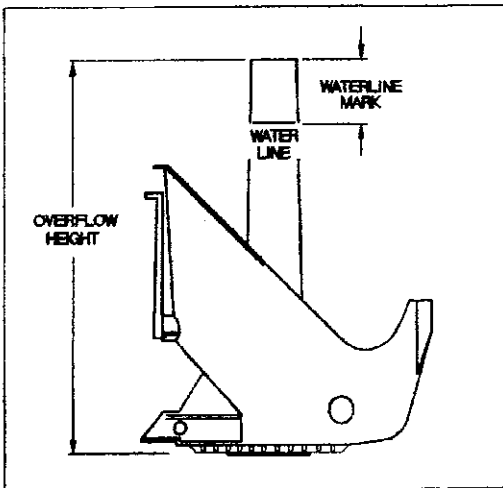
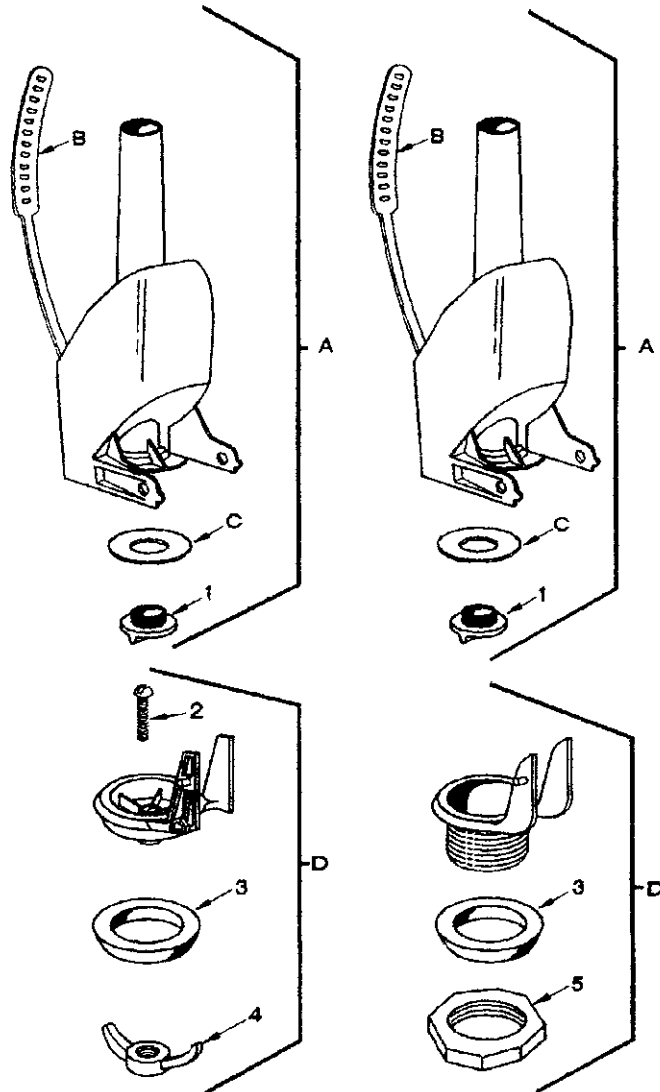
The Following Items Are  
 Not Sold Separately

- 1 Screw Plug
- 2 Mounting Bolt
- 3 Rubber Gasket
- 4 Wingnut
- 5 Locknut

NOTE \* - Pinion Holder Must Be Ordered Separately From Tilt Valve

**FIGURE 46**

**FIGURE 47**

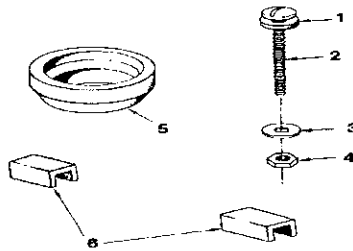


# MISCELLANEOUS ITEMS

## SECTION D

### TANK HARDWARE 405A

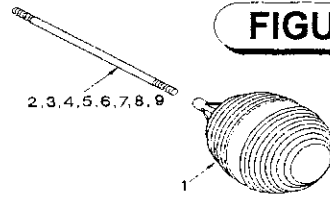
**FIGURE 48**



KEY NO.	DESCRIPTION	PART NO.
1	"D" Gasket	411
2	Tank Bolt (Brass/Steel)	400/405
3	Tank Washer (Brass/Steel)	402/406
4	Tank Nut (Brass/Steel)	401/407
5	"A" Gasket	422
6	"E" Gasket	425

### FLOAT BALL AND RODS

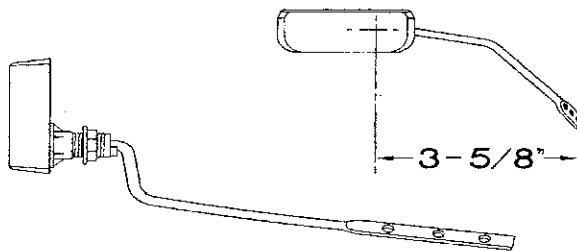
**FIGURE 49**



KEY NO.	DESCRIPTION	PART NO.
1	Float Ball	102
2	6" Brass Rod	119
3	8" Steel Rod	120
4	8" Brass Rod	121
5	5" Brass Rod	123
6	9" Brass Rod	126
7	7" Brass Rod	127
8	10" Brass Rod	128
9	7" Steel Rod	129

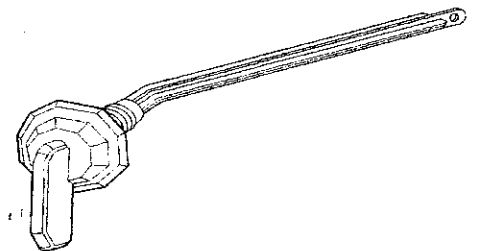
### TRIP LEVERS

**FIGURE 50**



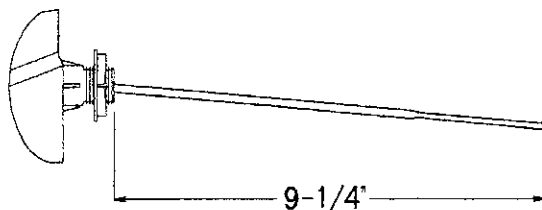
300 POLISHED CHROME FINISH  
 301 POLISHED BRASS FINISH  
 302 ANTIQUE BRONZE FINISH

**FIGURE 51**



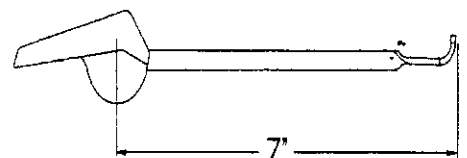
303 POLISHED CHROME FINISH  
 304 POLISHED CHROME FINISH  
 305 ANTIQUE BRONZE FINISH

**FIGURE 52**



306 POLISHED CHROME FINISH  
 307 POLISHED BRASS FINISH  
 308 ANTIQUE BRONZE FINISH

**FIGURE 53**

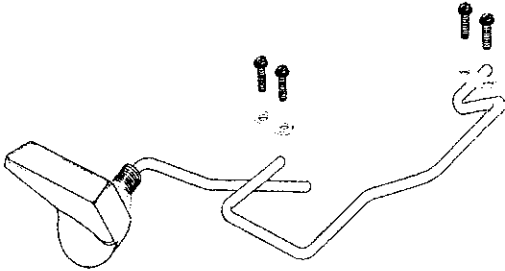


311 POLISHED CHROME FINISH

# MISCELLANEOUS ITEMS

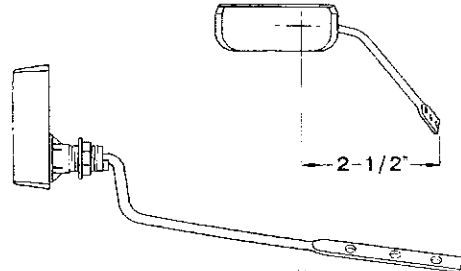
## SECTION D

**FIGURE 54**



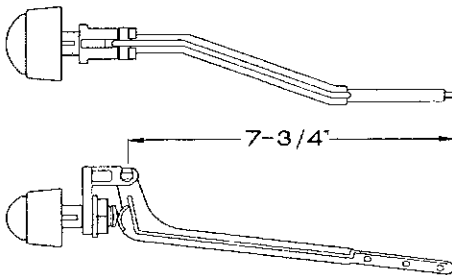
312 (LEFT) POLISHED CHROME  
313 (RIGHT) POLISHED CHROME

**FIGURE 55**



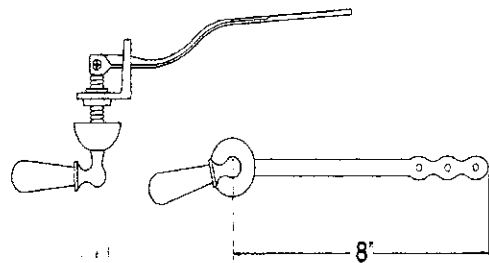
314 POLISHED CHROME FINISH  
315 POLISHED BRASS FINISH  
316 ANTIQUE BRONZE FINISH

**FIGURE 56**



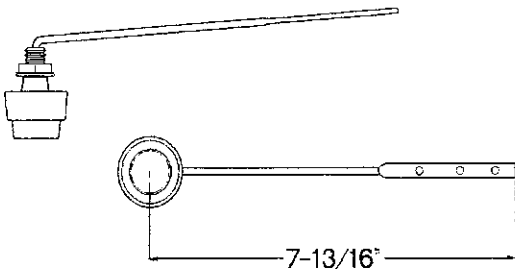
319 POLISHED CHROME FINISH  
317 POLISHED BRASS FINISH  
318 ANTIQUE BRONZE FINISH

**FIGURE 57**



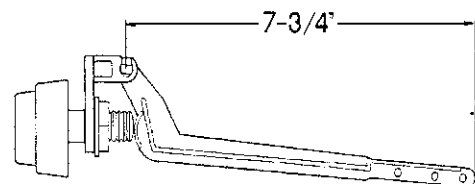
324 POLISHED CHROME FINISH  
325 POLISHED BRASS FINISH

**FIGURE 58**



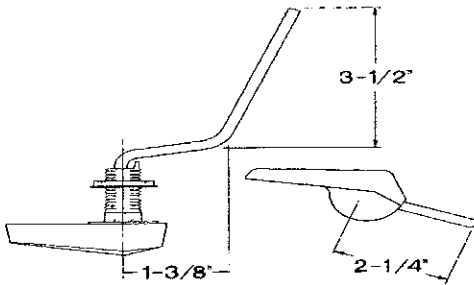
326 POLISHED CHROME FINISH

**FIGURE 59**



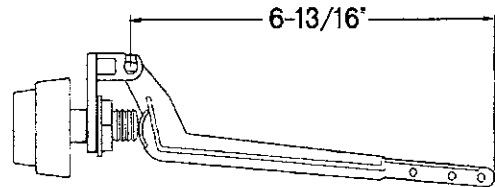
327 POLISHED CHROME FINISH  
328 POLISHED BRASS FINISH  
329 ANTIQUE BRONZE FINISH

**FIGURE 60**



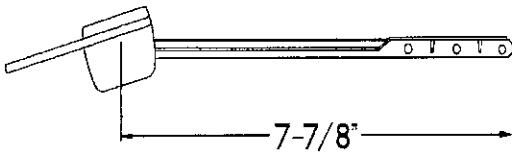
331 POLISHED CHROME FINISH

**FIGURE 61**



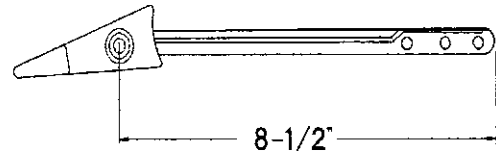
333 POLISHED CHROME FINISH  
351 POLISHED BRASS FINISH  
352 ANTIQUE BRONZE FINISH

**FIGURE 62**



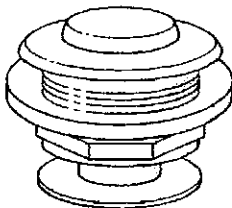
334 POLISHED CHROME FINISH  
353 POLISHED BRASS FINISH  
354 ANTIQUE BRONZE FINISH

**FIGURE 63**



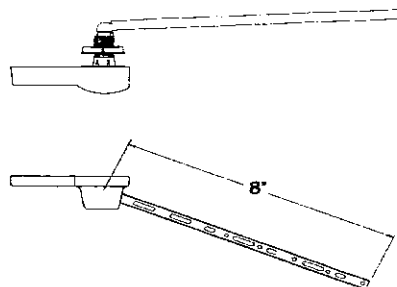
336 POLISHED BRASS FINISH  
340 WHITE FINISH  
341 POLISHED CHROME FINISH

**FIGURE 64**



338 CHROME FINISH PUSHBUTTON

**FIGURE 65**

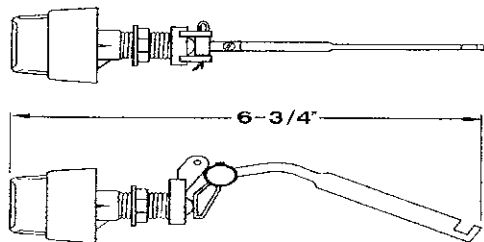


344 POLISHED CHROME FINISH  
358 POLISHED BRASS FINISH  
359 WHITE FINISH

# MISCELLANEOUS ITEMS

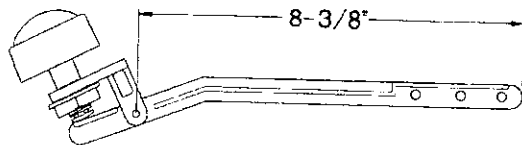
## SECTION D

FIGURE 66



345 POLISHED CHROME FINISH  
347 POLISHED BRASS FINISH  
346 ANTIQUE BRONZE FINISH

FIGURE 67



348 POLISHED CHROME FINISH  
349 POLISHED BRASS FINISH  
350 ANTIQUE BRONZE FINISH