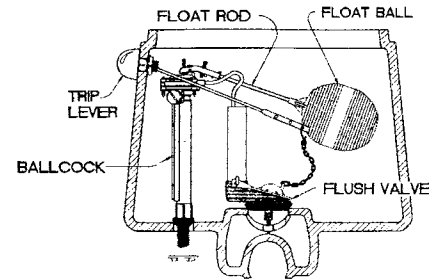


TANK ASSEMBLY DRAWINGS

Model & Service Years	Component Description	Part Number (Original)	Replacement Part Number	Part Drawing Reference	
				Page #	Figure #
4009 Contempo 1.6 gpf 2/94-Present	Ballcock	114	114	15	36
	Flush Valve	212	212	19	40
	Float Rod	123	123	26	49
	Float Ball	102	102	26	49
	Trip Lever	306*	306*	26	52

FIGURE 5



Model & Service Years	Component Description	Part Number (Original)	Replacement Part Number	Part Drawing Reference	
				Page #	Figure #
4012/4013 Saturn 3.5 gpf 8/87-10/90	Ballcock	133	133	13	34
	Flush Valve	258/275	258/275	25	46
	Float Rod	126	128	26	49
	Float Ball	126	102	26	49
	Trip Lever	327*	327*	27	59
4012/4013 Saturn 3.5 gpf 10/90-12/93	Ballcock	134C	134C	16	37
	Flush Valve	251	251	20	41
	Float Rod	126	128	26	49
	Float Ball	126	102	26	49
	Trip Lever	327*	327*	27	59
4022/4023 Saturn 1.6 gpf 2/89-12/95	Ballcock	109B	109B	15	36
	Flush Valve	246	246	20	41
	Float Rod	121	121	26	49
	Float Ball	102	102	26	49
	Trip Lever	327*	327*	27	59

FIGURE 6

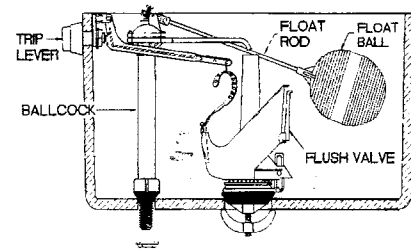
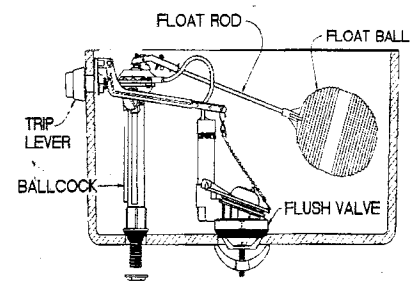


FIGURE 7



SUB COMPONENT DRAWINGS

SECTION C

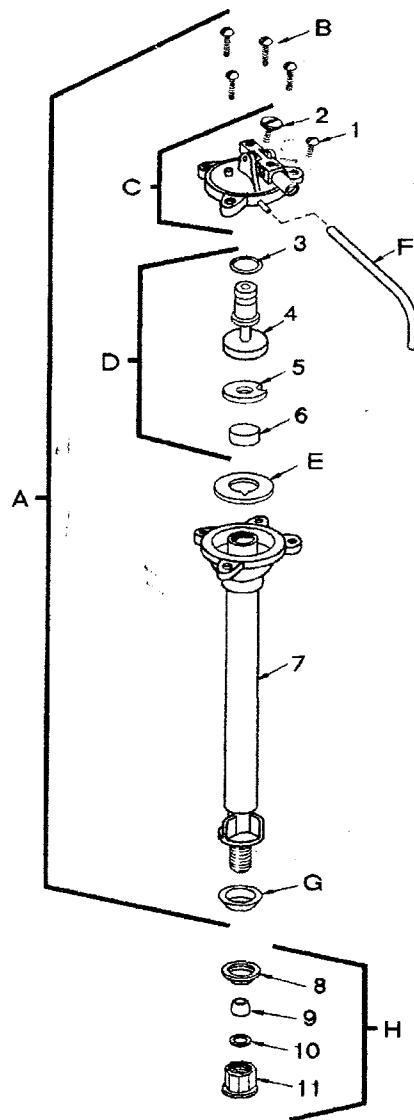
BALLCOCK ASSEMBLY Part Nos. 104, 106, 133, 137, 139, 143, 144, 149

KEY NO.	DESCRIPTION	PART NO.							
		104	106	133	137	139	143	144	149
A	Ballcock Assembly	104	106	133	137	139	143	144	149
CL	C-L Critical Level Height	7-1/2"	8-1/4"	7-1/2"	9-1/8"	8-5/8"	10"	9-1/8"	8"
B	Brass Screws (4 Required)	A807	A807	A807	A807	A807	A807	A807	A807
C	Ballcock Head Assembly	A803	A803	A803	A803	A803	A803	A803	A803
D	Plunger Assembly	A801	A801	A801	A801	A801	A801	A801	A801
E	Rubber Diaphragm 2-15/16"	A800	A800	A800	A800	A800	A800	A800	A800
F	Refill Tube	A802	A802	A802	A802	A802	A802	A802	A802
G	Shank Washer	A334	A334	A334	A334	A334	A334	A334	A334
H	Coupling Nut Assembly	A267	A267	A267	A267	A267	A267	A267	A267

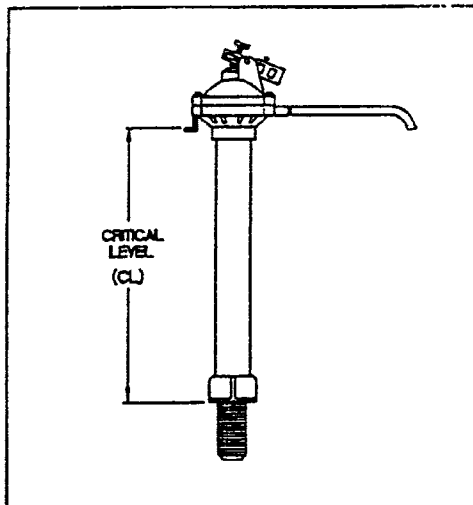
The Following Items Are Not Sold Separately

- 1 Flow Adjustment Screw
- 2 Float Adjustment Screw
- 3 O-Ring
- 4 Plunger
- 5 Washer
- 6 Plunger Disc
- 7 Ballcock Shank
- 8 Locknut
- 9 Washer
- 10 Friction Ring
- 11 Coupling Nut

FIGURE 34



Parts Depot610-495-8790www



SUB COMPONENT DRAWINGS

SECTION C

TILT VALVE ASSEMBLY Part Nos. 275, 276

PINION HOLDER Part Nos. 258, 268

KEY NO.	DESCRIPTION	FIGURE 46	FIGURE 47
		PART NO.	
A	Flush Valve Assembly	275	276
	Overflow Level	6-1/2"	7"
	Waterline Mark	1"	1"
B	Lift Strap	A775	A775
C	Rubber Disc	263	263
D*	Pinion Holder Assembly	258	268

Parts Depot610-495-8790www

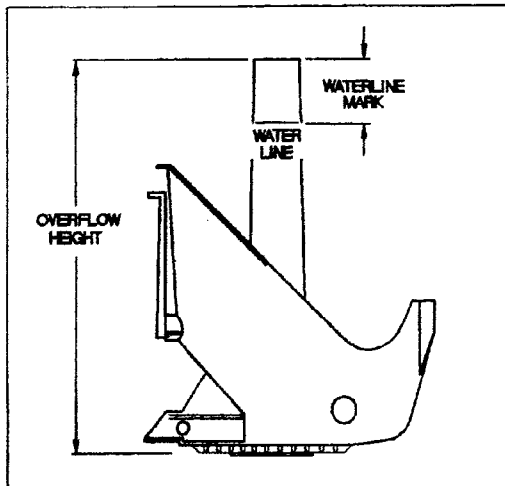
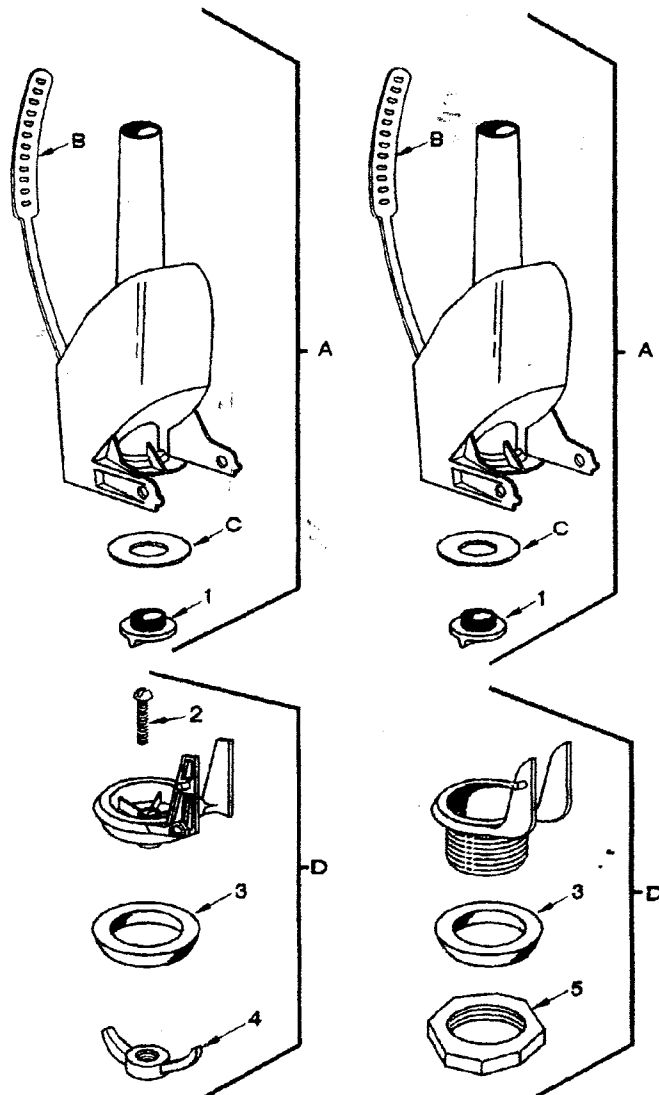
The Following Items Are
Not Sold Separately

- 1 Screw Plug
- 2 Mounting Bolt
- 3 Rubber Gasket
- 4 Wingnut
- 5 Locknut

NOTE *- Pinion Holder Must Be Ordered Separately From Tilt Valve

FIGURE 46

FIGURE 47



SUB COMPONENT DRAWINGS

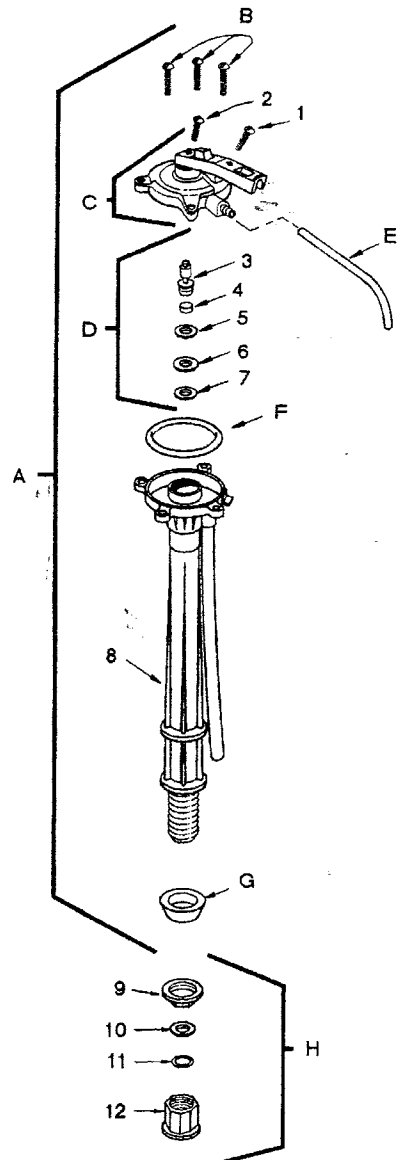
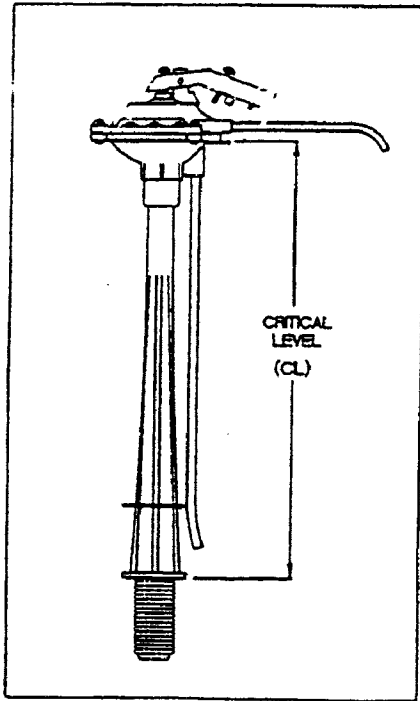
BALLCOCK ASSEMBLY Part Nos. 130, 134C, 135B, 135D, 205D

KEY NO.	DESCRIPTION	PART NO.				
		130	134C	135B	135D	205D
A	Ballcock Assembly	130	134C	135B	135D	205D
CL	C-L Critical Level Height	8-1/2"	7-1/2"	10-1/8"	10-1/8"	10-1/4"
B	Brass Screws	A261	A261	A261	A261	A261
C	Ballcock Head Assembly	A600	A600	A262	A600	A600
D	Plunger Assembly	A255	A255	A255	A255	A255
E	Refill Tube	A802	A802	A399	A802	A802
F	Rubber Seal	A239	A239	A239	A239	A239
G	Shank Washer	A334	A334	A334	A334	A334
H	Coupling Nut Assembly	A267	A267	A267	A267	A267

The Following Items Are Not Sold Separately

1	Flow Adjustment Screw
2	Float Adjustment Screw
3	Plunger
4	Plunger Disc
5	Rubber Diaphragm 1-1/2"
6	Plunger Diaphragm 1-1/4"
7	Plunger Gasket
8	Ballcock Shank with Tube
9	Locknut
10	Washer
11	Friction Ring
12	Coupling Nut

FIGURE 37

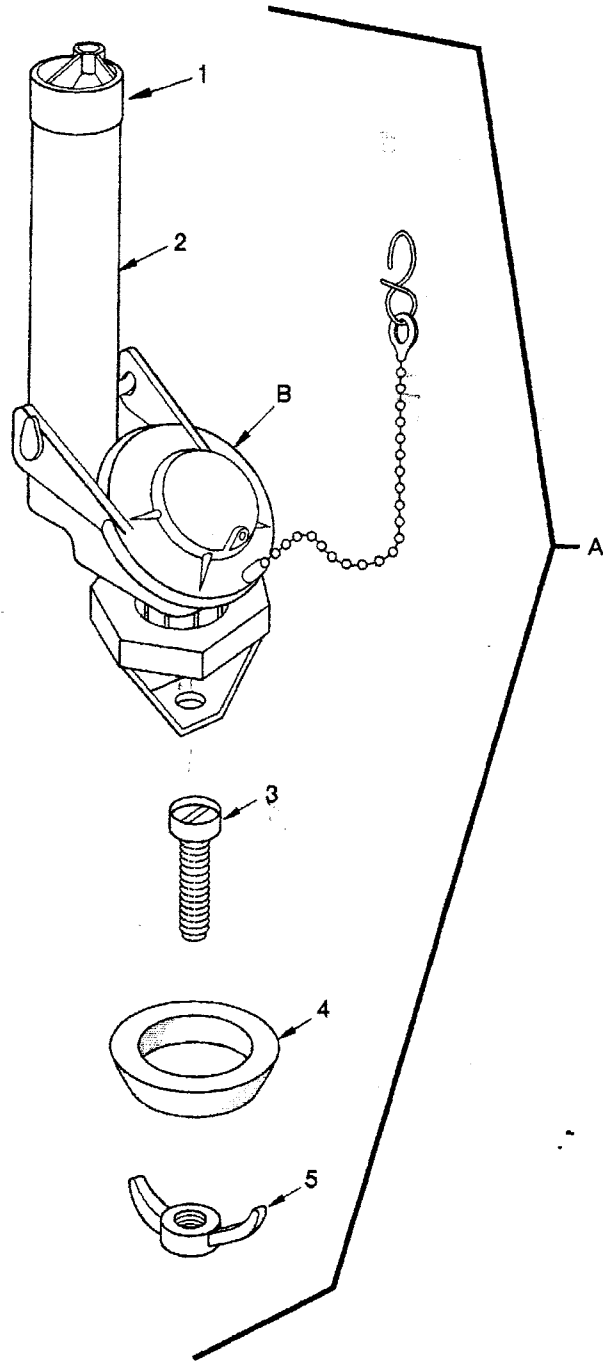
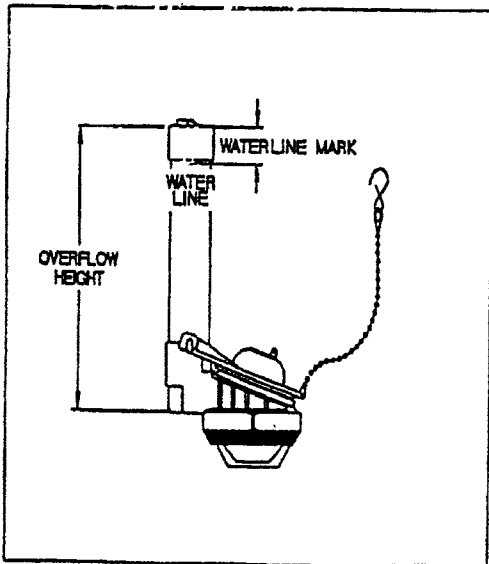


FLUSH VALVE ASSEMBLY Part Nos. 233, 237, 246, 251

KEY NO.	DESCRIPTION	PART NO.			
A	Flush Valve Assembly	233	237	246	251
	Overflow Height	5-3/8"	6-5/8"	5"	6-1/8"
	Waterline Mark	1"	1-5/8"	5/8"	5/8"
B	Flapper	A780	A780	A780	A780
The Following Items Are Not Sold Separately					
1	Cap				
2	Overflow Tube				
3	Bolt				
4	Cone Gasket				
5	Winged Nut				

FIGURE 41

g Parts Depot610-495-8790www.



SUB COMPONENT DRAWINGS

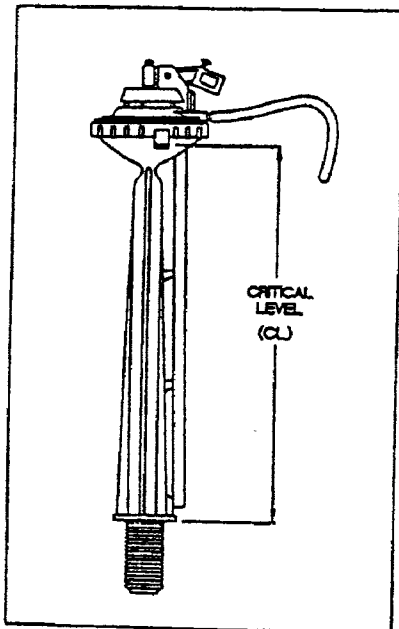
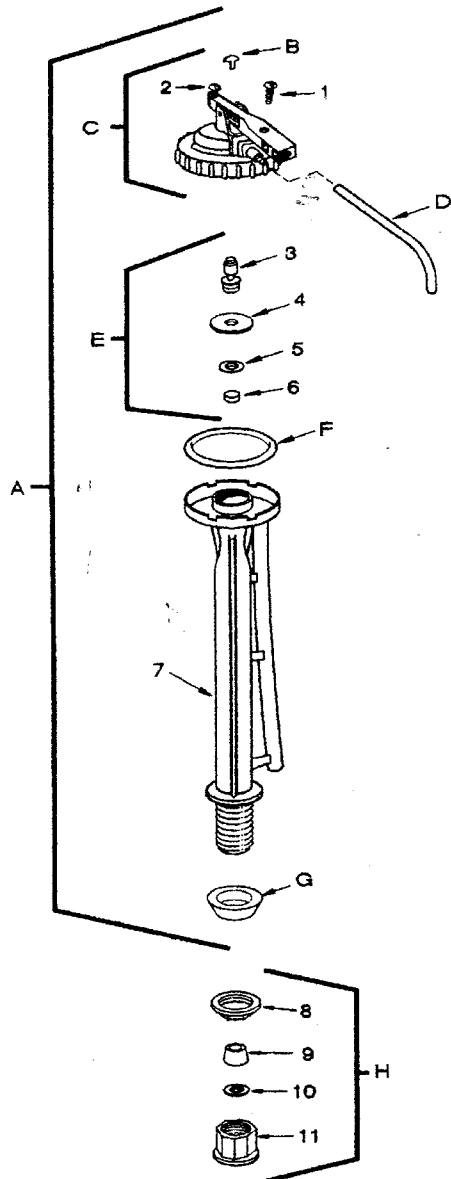
BALLCOCK ASSEMBLY Part Nos. 105, 108, 138, 141, 142, 145, 148

KEY NO.	DESCRIPTION	PART NO.							
		105	108	138	141	142	145	148	
A	Ballcock Assembly								
CL	C-L Critical Level Height	7-1/2"	9-1/2"	8-1/4"	8-5/8"	10"	9-1/2"	8-1/8"	
B	Lock Key	A420	A420	A420	A420	A420	A420	A420	
C	Ballcock Head Assembly	A421	A421	A421	A421	A421	A421	A421	
D	Refill Tube	A802	A802	A802	A802	A802	A802	A802	
E	Plunger Assembly	A422	A422	A422	A422	A422	A422	A422	
F	Rubber Seal	A425	A425	A425	A425	A425	A425	A425	
G	Shank Washer	A334	A334	A334	A334	A334	A334	A334	
H	Coupling Nut Assembly	A267	A267	A267	A267	A267	A267	A267	

The Following Items Are Not Sold Separately

- 1 Flow Adjustment Screw
- 2 Float Adjustment Screw
- 3 Plunger
- 4 Rubber Diaphragm 1-5/8"
- 5 Plunger Diaphragm 1-1/8"
- 6 Plunger Disc
- 7 Ballcock Shank
- 8 Locknut
- 9 Washer
- 10 Friction Ring
- 11 Coupling Nut

FIGURE 35



mbing Parts Depot 610-495-8790 www.ppd1

Parts Depot610-495-8790www