

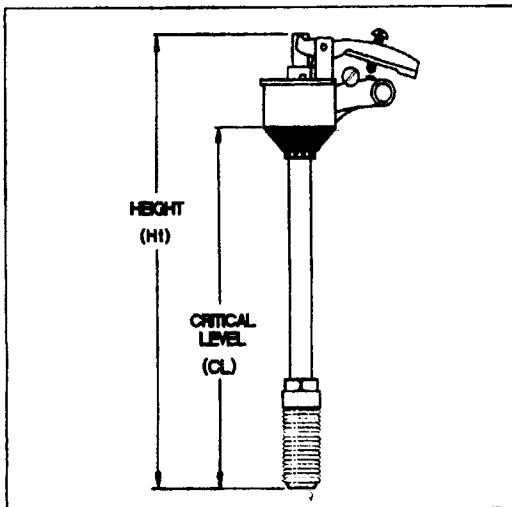
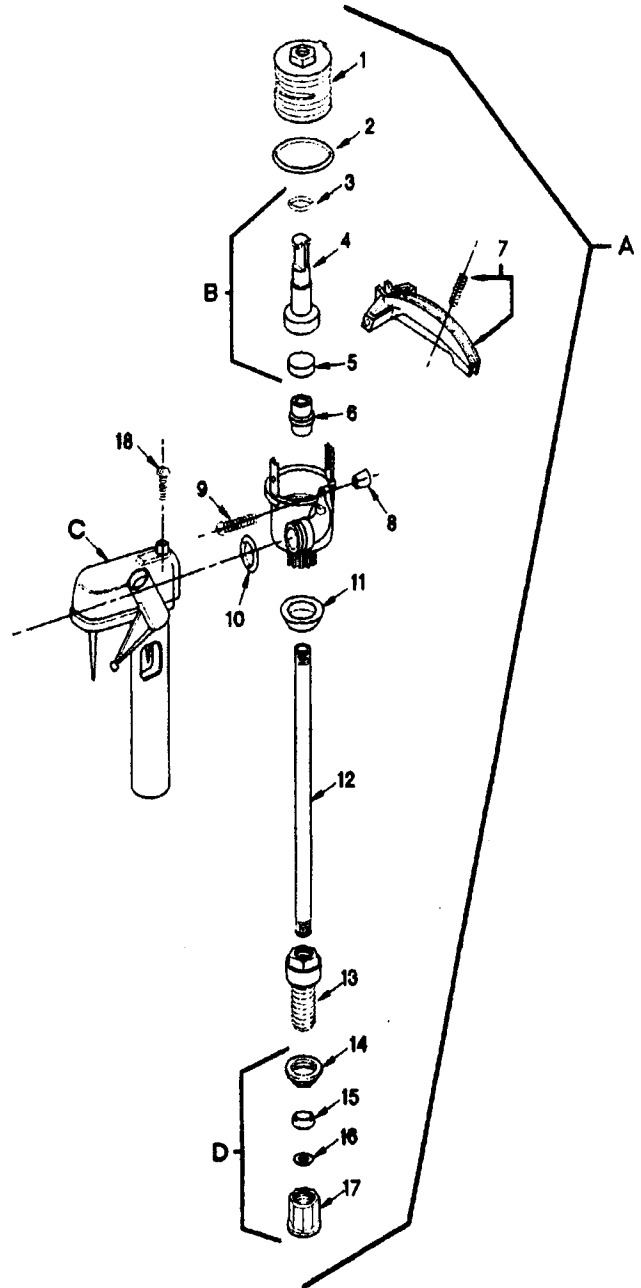
SUB COMPONENT DRAWINGS

BALLCOCK ASSEMBLY Part Nos. 190, 191 DIVERTER ASSEMBLY Part No. 197

KEY NO.	DESCRIPTION	PART NO.
A	Ballcock Assembly	190 191
CL	C-L Critical Level Height	0" 9 3/8"
Ht	Height	12-1/2" 11-7/8"
C	Diverter	197 not
D	Coupling nut Assembly	available

FIGURE 39

The Following Items Are Not Sold Separately	
1	Adjusting plug
2	O-Ring
B	Plunger Assembly
3	Plunger O-Ring
4	Plunger
5	Rubber Disc
6	Nylon Seat
7	Float Lever and Screw
8	Bumper
9	Bolt
10	O-Ring
11	Shank Washer
12	Ballcock Shaft
13	Ballcock Shank
14	Lock Nut
15	Washer
16	Friction ring
17	Coupling Nut
18	Screw



Plumbing Parts Depot
610-495-8790
www.ppd1.biz

SUB COMPONENT DRAWINGS

TILT VALVE ASSEMBLY Part Nos. 259, 260, 280
 PINION HOLDER Part No. 258

Plumbing Parts Depot
 610-495-8790
 www.ppd1.biz

KEY NO.	DESCRIPTION	PART NO.		
A	Flush Valve Assembly	259	260	280
	Valve Height	8-1/8"	8-1/8"	8-1/8"
	Overflow Level	3-1/2"	3-1/2"	3-1/2"
B	Lift Strap	267	A775	A775
C	Rubber Disc	263	263	263
D	Pinion Holder Assembly	258	258	258

The Following Items Are
 Not Sold Separately

- 1 Cap Counterweight
- 2 Screw Plug
- 3 Mounting Bolt
- 4 Rubber Gasket
- 5 Wingnut

FIGURE 45

